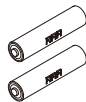
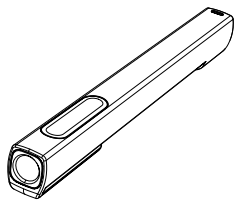


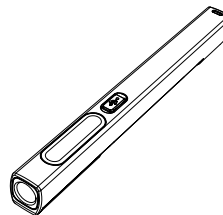
LEDLENSER W2 Work/W2R Work

W2 Work



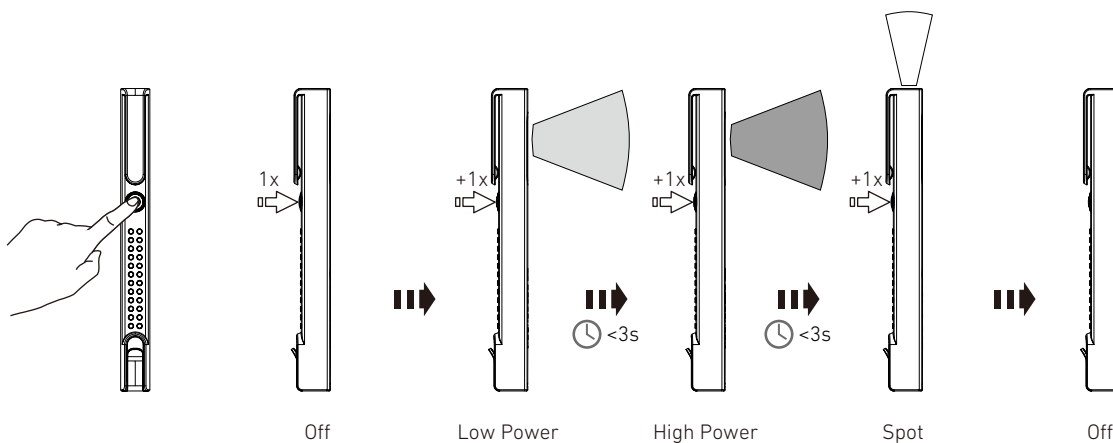
Battery Type: AAA
Chemical System Of Battery: Alkaline

W2R Work

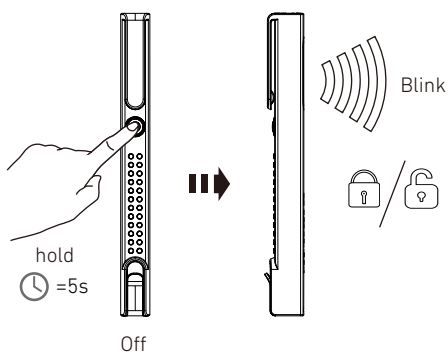


Type-C to Type-C
Battery Type: 10840
Chemical System Of Battery: Li-ion

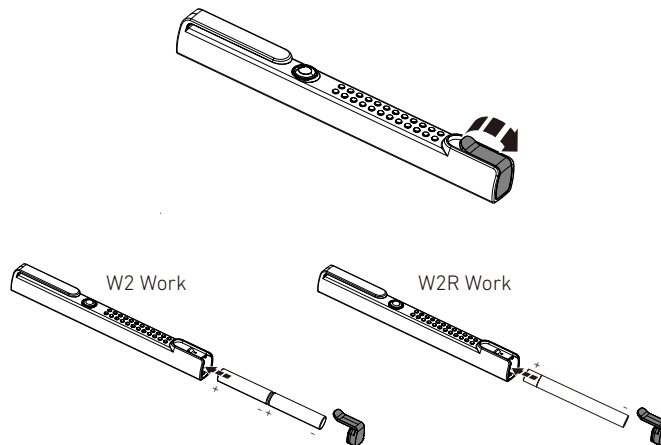
Operation



Transportation Lock

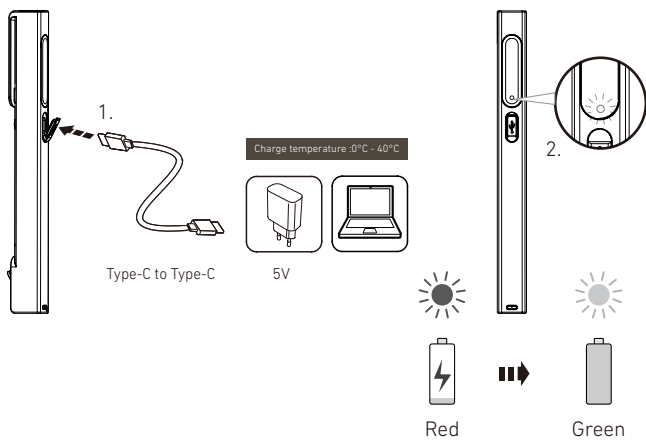


Battery Installation

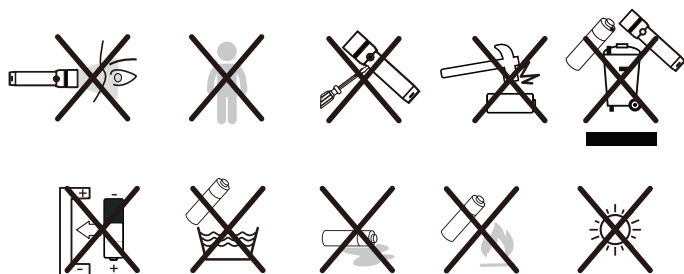
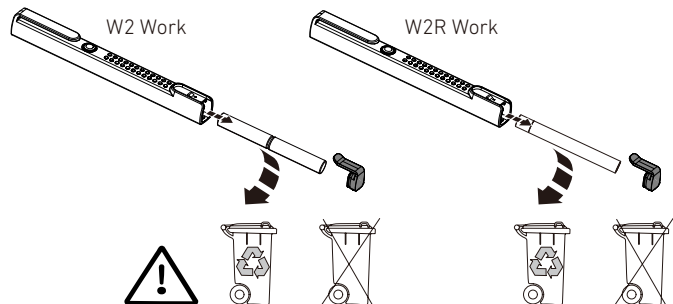


LEDLENSER W2 Work/W2R Work

Charging System(W2R Work)



Recycling



Ledlenser GmbH & Co. KG
 Kronenstrasse 5-7 • 42699 Solingen • Germany
 Phone +49 212/5948-0 Fax +49 212/5948-200
 info@ledlenser.com



ledlenser.com



W2 Work_W2R Work_V0
 2022.08.08
 1J12A0509

