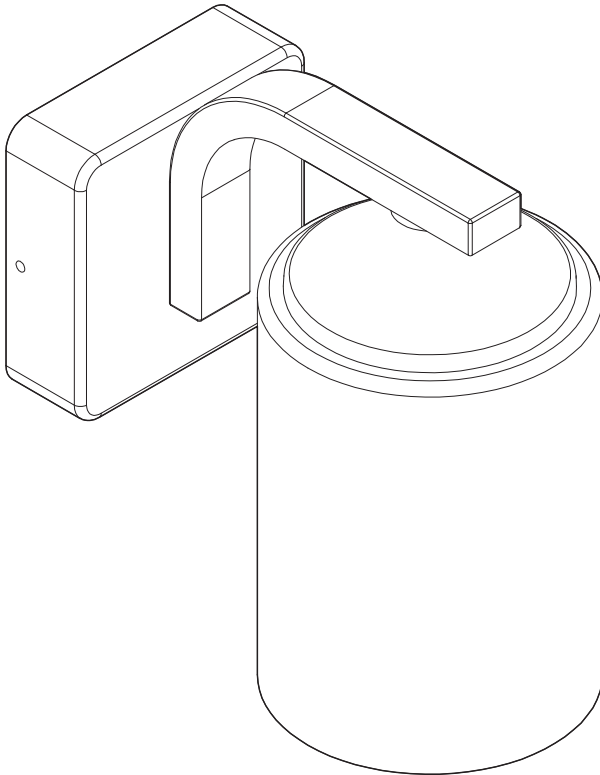
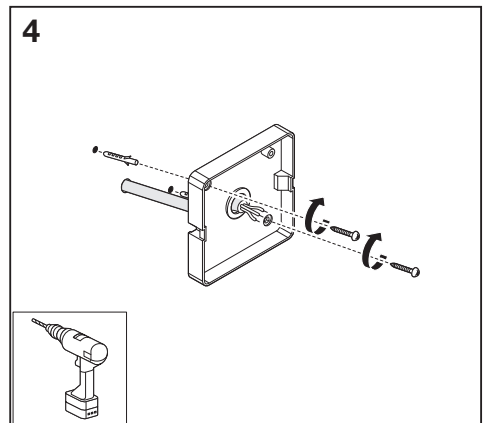
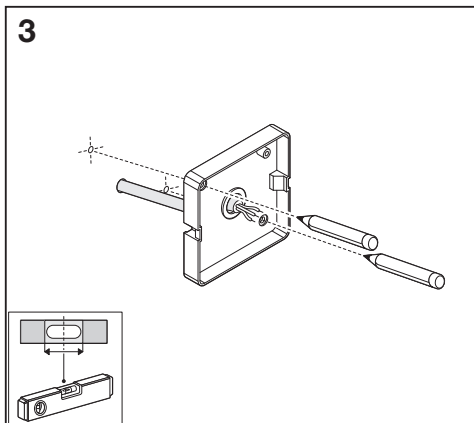
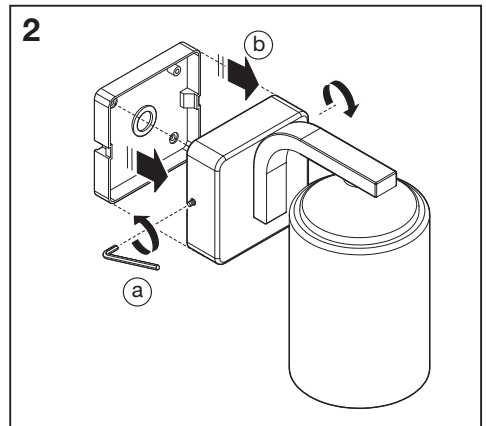
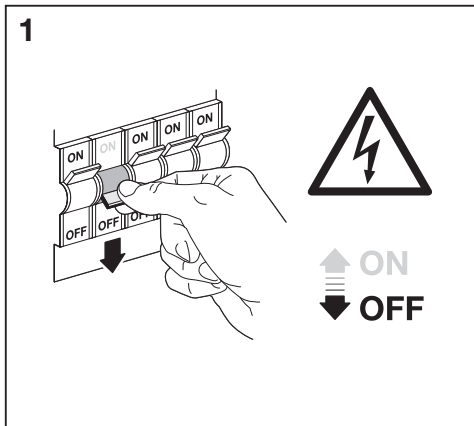
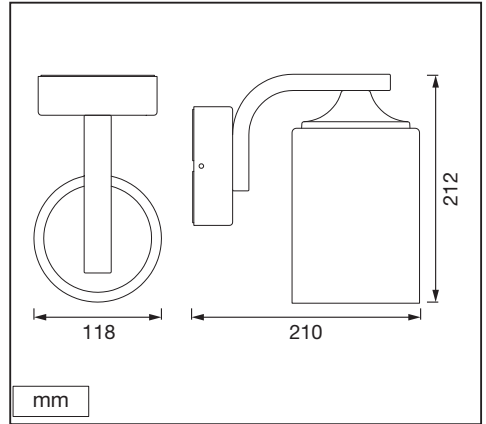
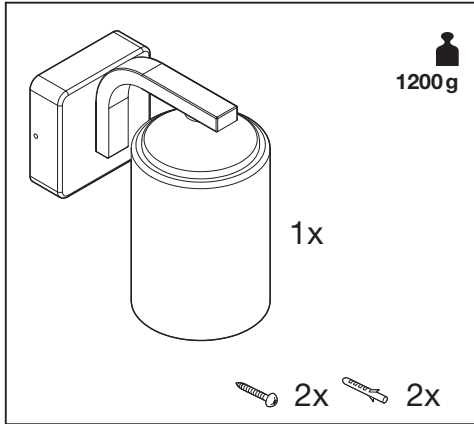
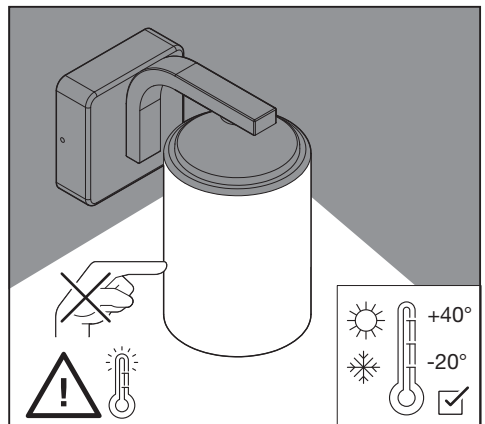
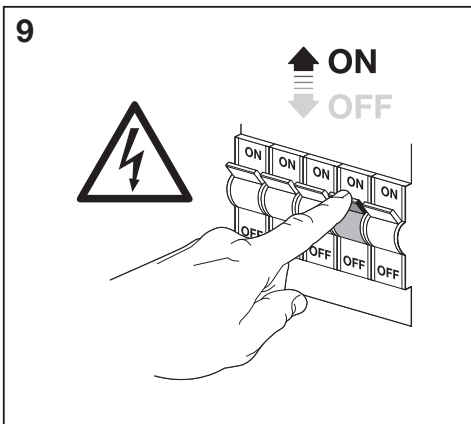
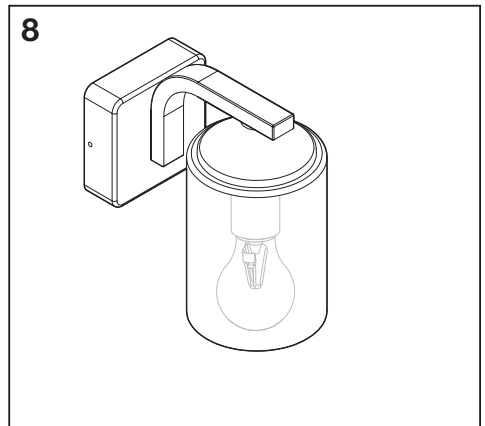
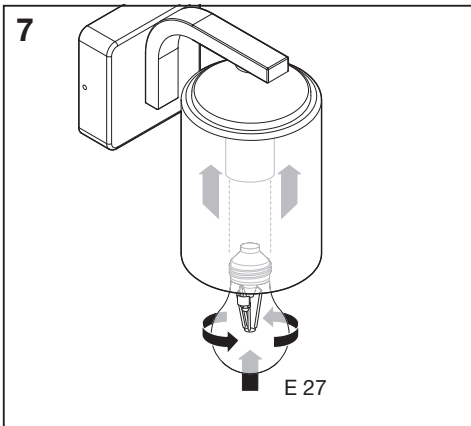
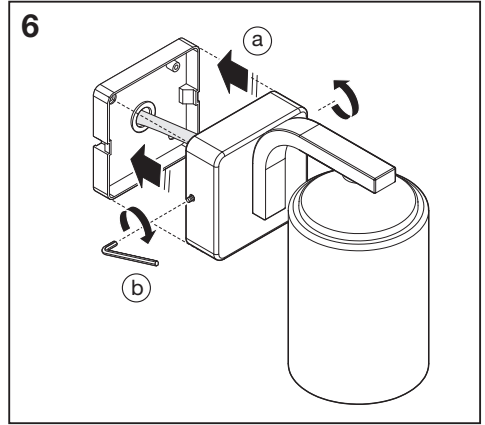
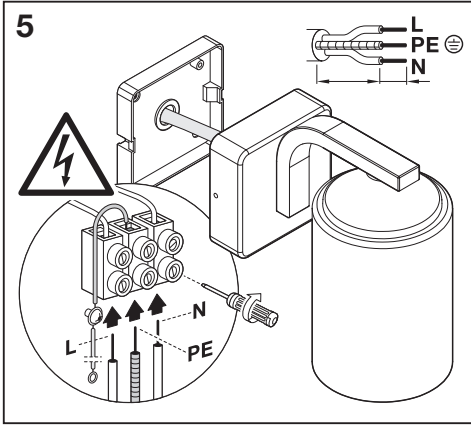

**ENDURA® CLASSIC
LANTERN CYLINDER**



	EAN	W max.	IP	Θ_{amb} (°C)	V~	Hz
ENDURA® CLASSIC LANTERN CYLINDER E27 WT	4058075392649	60W	43	-20...+40	220-240	50/60
ENDURA® CLASSIC LANTERN CYLINDER E27 WD	4058075392625	60W	43	-20...+40	220-240	50/60
ENDURA® CLASSIC LANTERN CYLINDER E27 BK	4058075392663	60W	43	-20...+40	220-240	50/60







IP43 RoHS

C10449057
G11084836
20.09.2019



LEDVANCE GmbH
Steinerne Furt 62
86167 Augsburg, Germany
www.ledvance.com