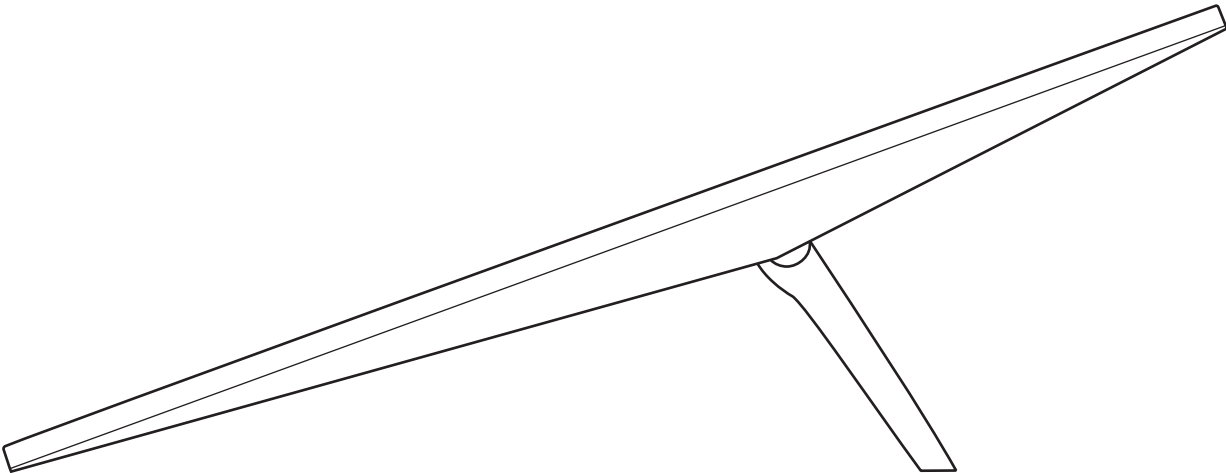
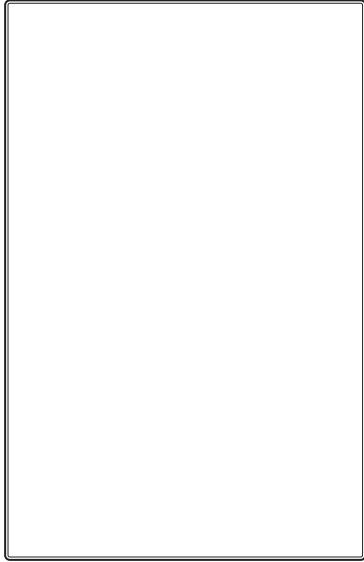


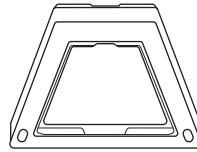
STARLINK | STANDARD SPECIFICATIONS



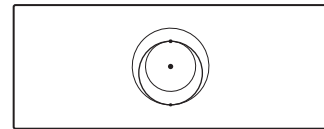
### What's In The Box



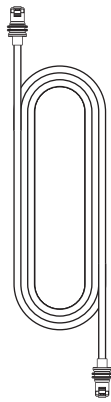
Standard



Kickstand

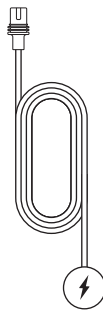


Gen 3 Router



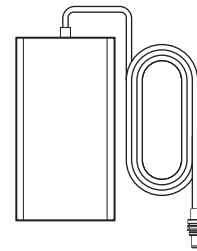
Starlink Cable

15 m  
(49.2 ft)



AC Power Cable

1.5 m  
(4.92 ft)

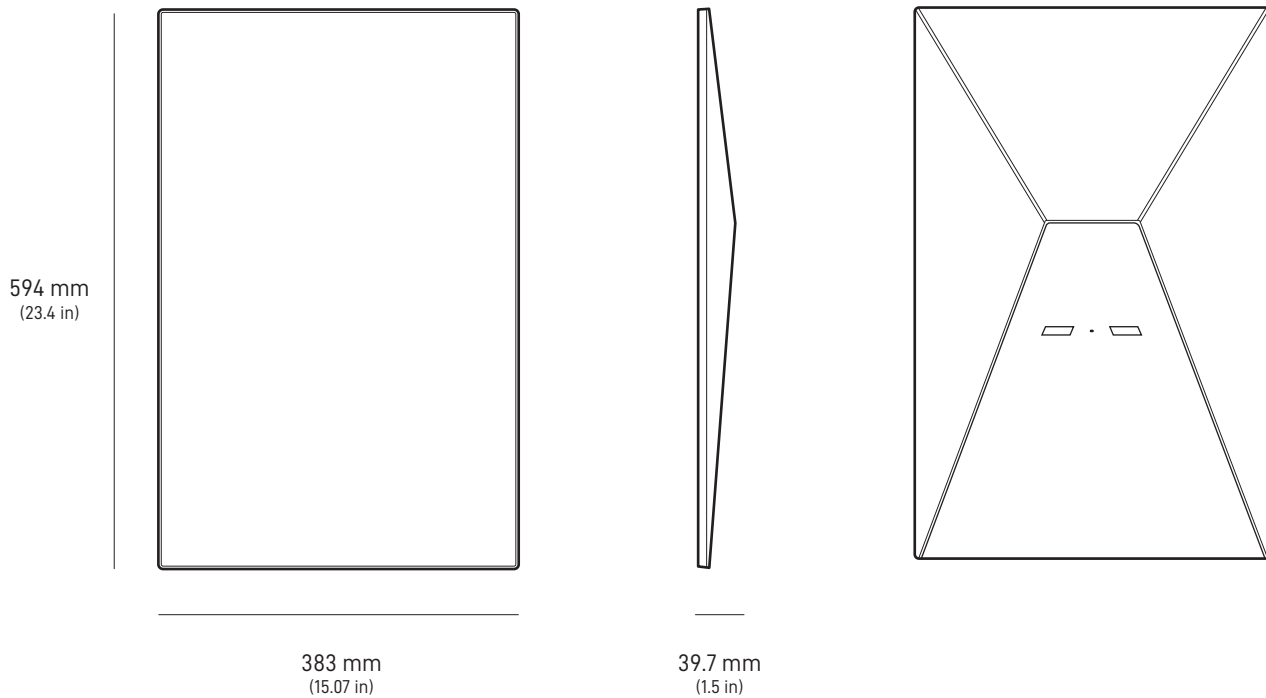


Power Supply

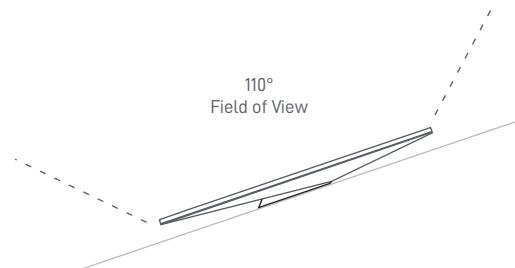
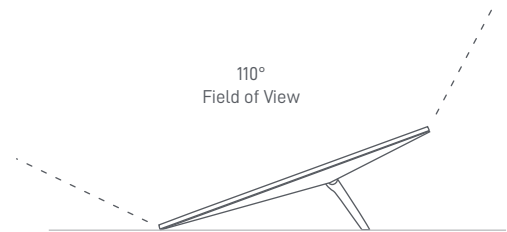
1.5 m  
(4.92 ft)

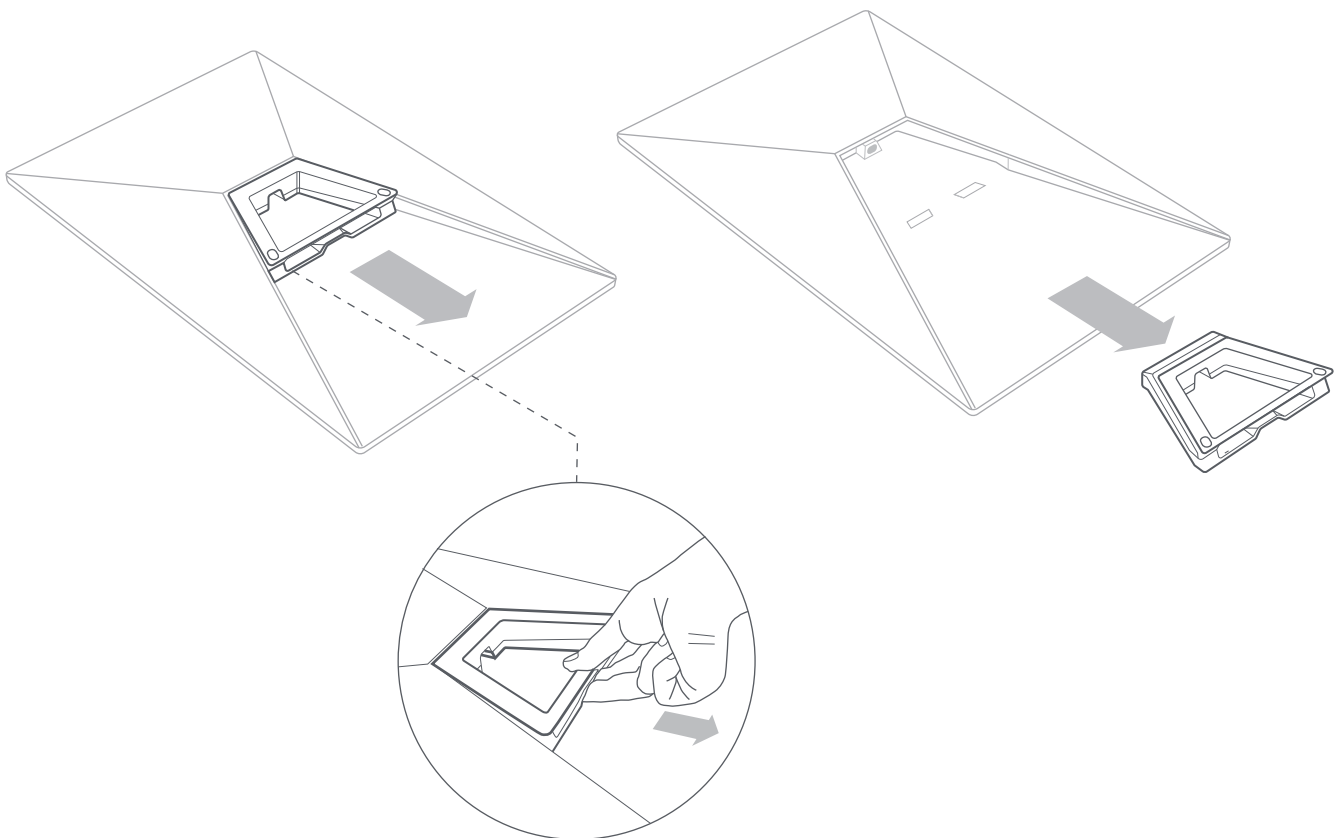
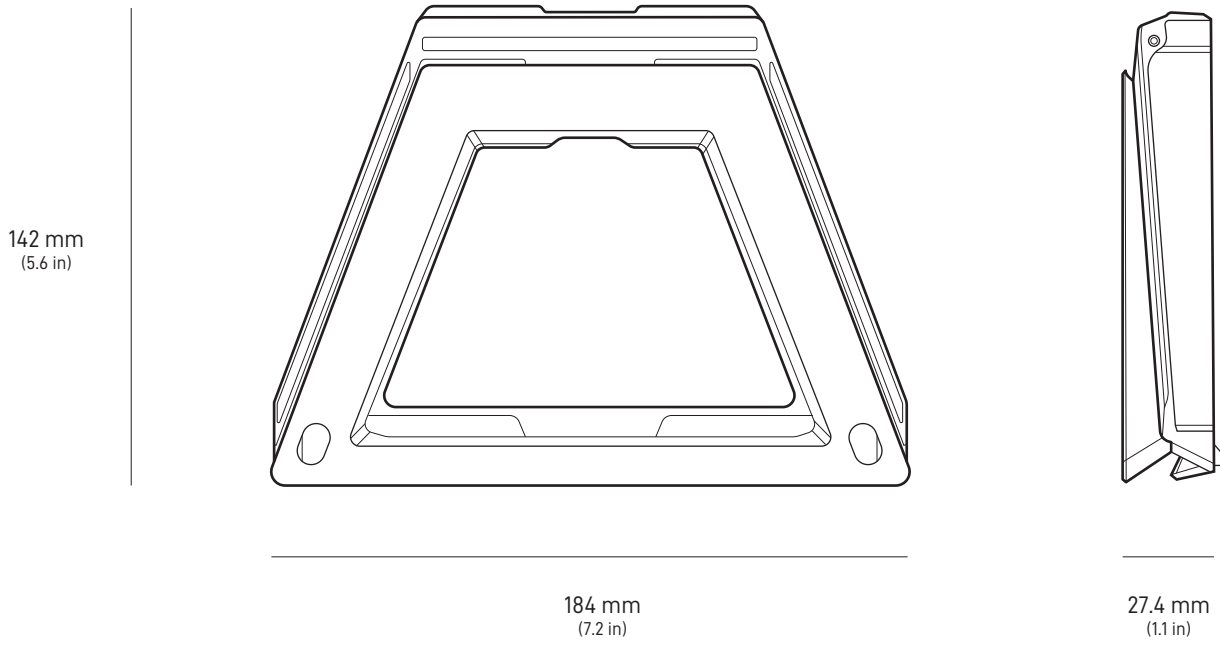
**Package Weight:** 6.73 kg (14.83 lbs)

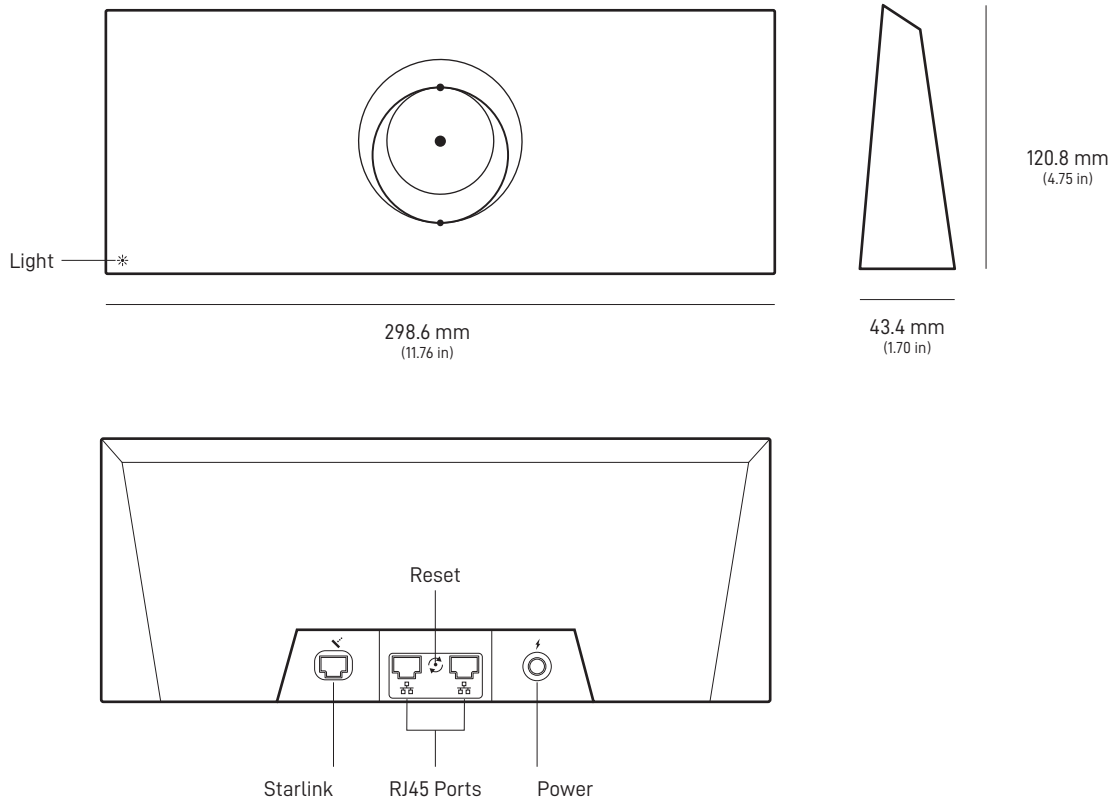
**Package Dimensions:** 652.4 x 451.7 x 97.9 mm (25.69 x 17.78 x 3.84 in)



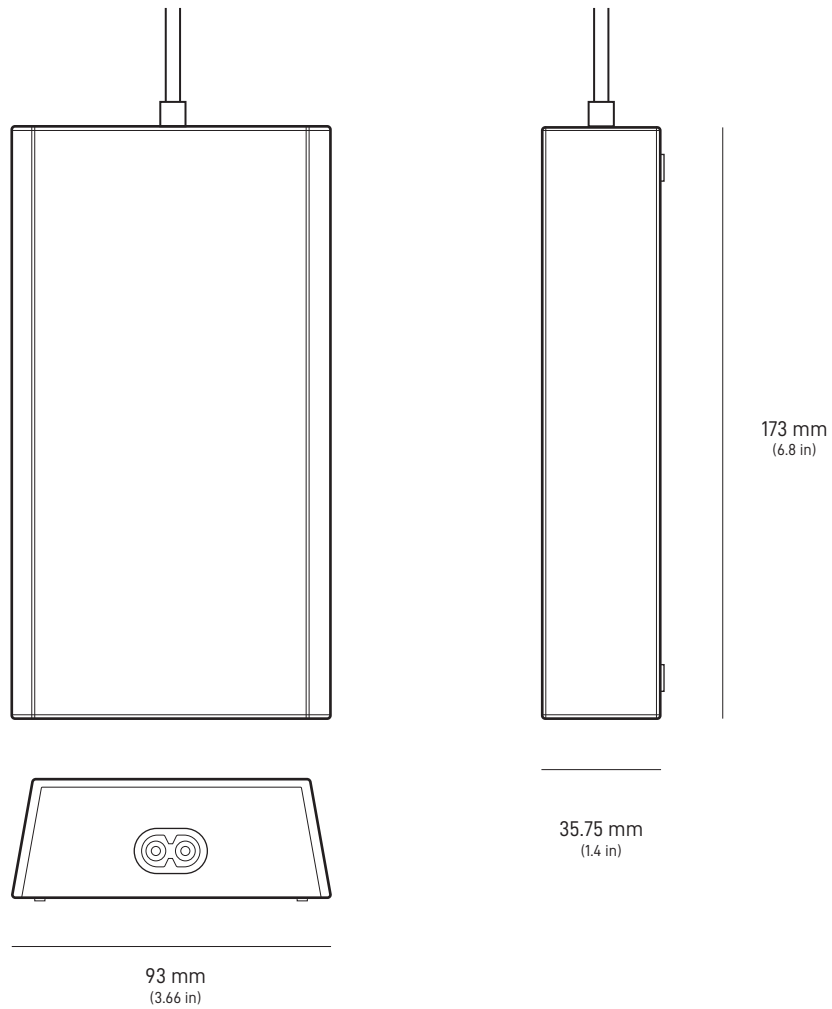
|                              |  |
|------------------------------|--|
| <b>Antenna</b>               | Electronic Phased Array  |
| <b>Field of View</b>         | 110°   |
| <b>Orientation</b>           | Software Assisted Manual Orienting   |
| <b>Weight</b>                | 2.9 kg (6.4 lb)<br>3.2 kg (7 lb) with Kickstand<br>3.8 kg (8.3 lb) with Kickstand & 15 m Cable |
| <b>Environmental Rating</b>  | IP67 Type 4  |
| <b>Operating Temperature</b> | -30°C to 50°C (-22°F to 122°F)   |
| <b>Wind Speed</b>            | Operational: 96 kph+ (60 mph+)   |
| <b>Snow Melt Capability</b>  | Up to 40 mm / hour (1.5 in / hour)   |
| <b>Power Consumption</b>     | Average: 75 - 100 W  |



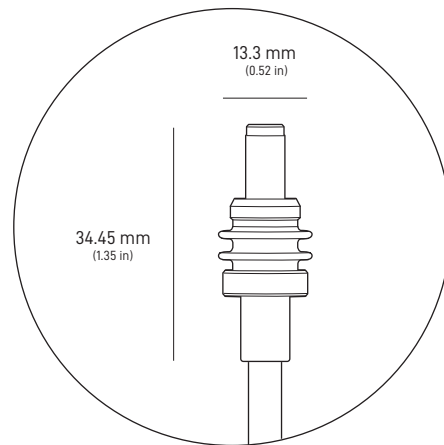


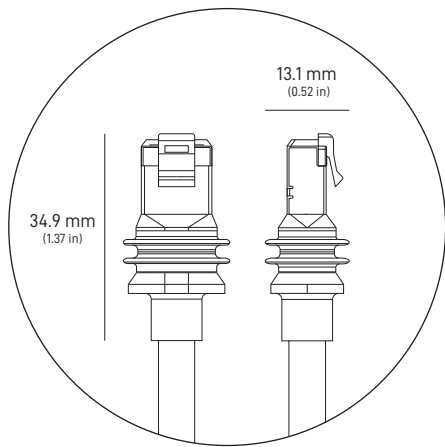
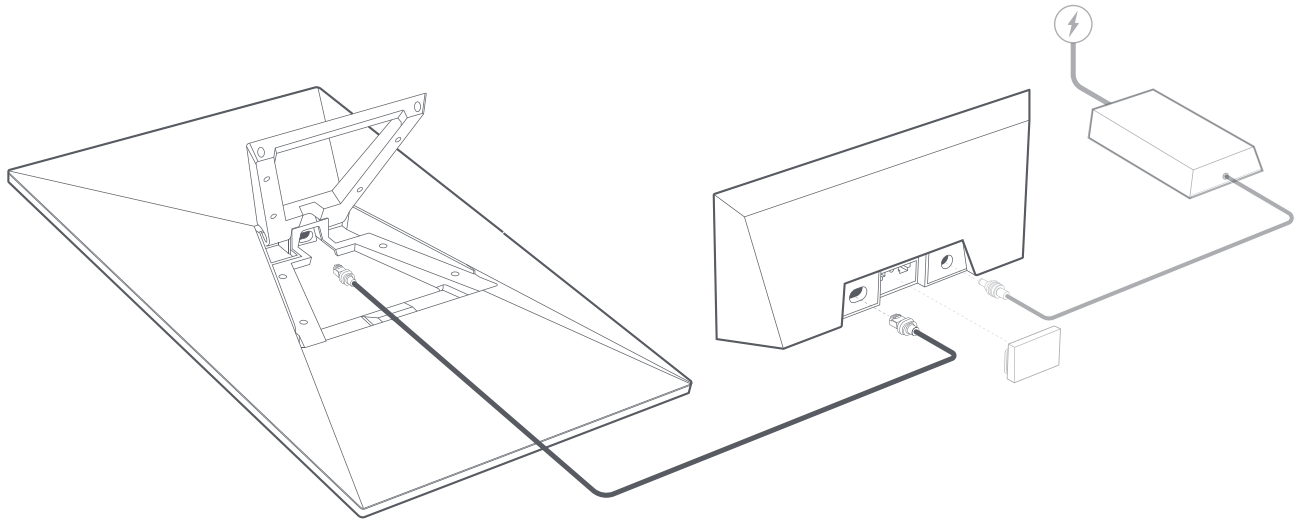


|                              |  |
|------------------------------|--|
| <b>Product Dimensions</b>    | 43.4 x 298.6 x 120.4 mm (1.7 in x 11.76 in x 4.74 in)                            |
| <b>Wi-Fi Technology</b>      | 802.11 a/b/g/n/ac/ax   |
| <b>Generation</b>            | WiFi 6   |
| <b>Radio</b>                 | Tri Band 4 x 4 MU-MIMO   |
| <b>Ethernet Ports</b>        | Two (2) Latching Ethernet LAN ports with removable cover                         |
| <b>Coverage</b>              | Up to 297 m <sup>2</sup> (3,200 ft <sup>2</sup> )                                |
| <b>Operating Temperature</b> | -30°C to 50°C (-22°F to 122°F)   |
| <b>Weight</b>                | 0.57 kg (1.25 lbs)   |
| <b>Security</b>              | WPA2   |
| <b>Environmental Rating</b>  | IP56 Rated (Water Resistant), configured for indoor use                          |
| <b>Power Indicator</b>       | LED   face plate, lower left corner of router                                    |
| <b>Mesh Compatibility</b>    | Compatible with Starlink Gen 2 and Gen 3 Mesh Nodes, up to 3 Starlink Mesh Nodes |
|                              | *Not compatible with 3rd party mesh systems                                      |
| <b>Devices</b>               | Connect up to 235 devices  |



|                              |   |
|------------------------------|---|
| <b>Product Dimensions</b>    | 173 x 93 x 35.75 mm (6.8 in x 3.66 in x 1.4 in) |
| <b>Weight</b>                | 0.65 kg (1.43 lbs)                              |
| <b>Environmental Rating</b>  | IP66 Type 4                                     |
| <b>Operating Temperature</b> | -30°C to 60°C (-22 to 140°F)                    |
| <b>Power Specifications</b>  | 100-240V ~ 2.5A 50 - 60 Hz                      |





| Pin 1  | Wire Color        | Pin 2  |
|--------|-------------------|--------|
| Shield | Drain - Bare Wire | Shield |
| 8      | Brown             | 8      |
| 7      | White / Brown     | 7      |
| 6      | Green             | 6      |
| 5      | White / Blue      | 5      |
| 4      | Blue              | 4      |
| 3      | White / Green     | 3      |
| 2      | Orange            | 2      |
| 1      | White / Orange    | 1      |

