

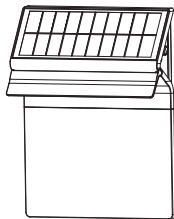
PHILIPS

Enkara
9290033643



User manual
Benutzerhandbuch
Notice d'emploi
Manual de usuario
Manual do usuário
Manuale d'uso
Gebruiksaanwijzing

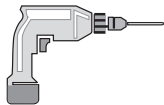
Incl.



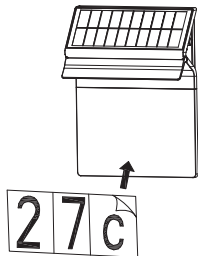
0123456789 x2

a b c d x1

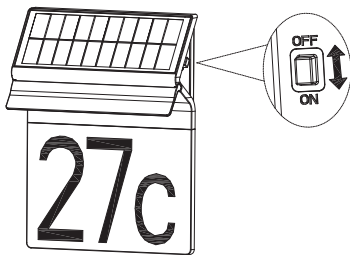
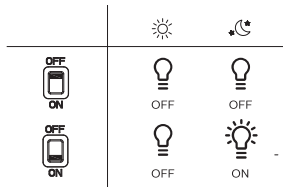
Excl.

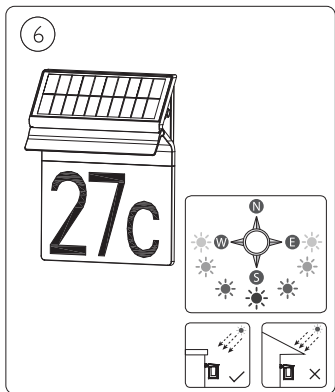
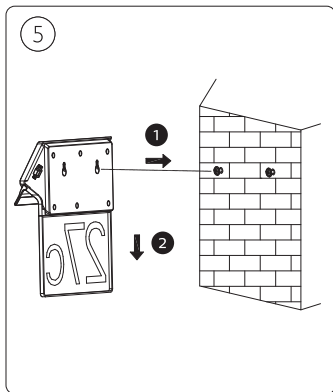
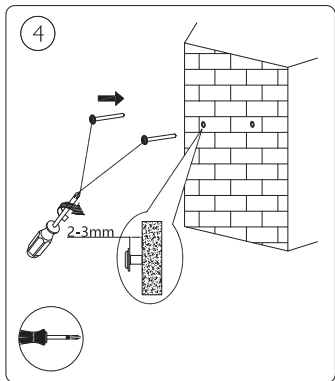
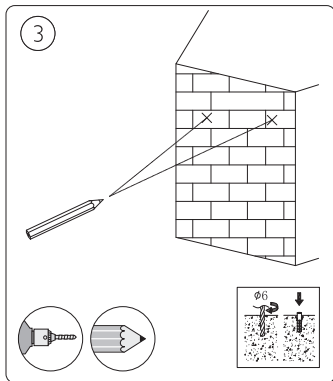


1

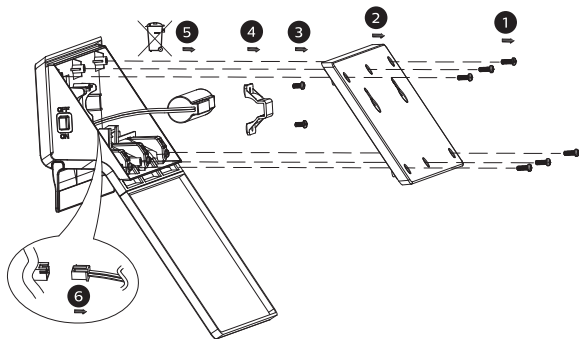


2





! Battery disposal



EN Lithium-ion battery
Disposal at end of life: Battery to be removed by professional

DE Batterien/Akkus von einer fachkundigen Person entfernt werden.
Weitere Informationen über die Entsorgung Ihres
Produktes und der Batterien finden Sie unter
www.signify.com/de-de/sustainability.



Signify Commercial UK Limited
Unit 3, Guildford Business Park,
Guildford, Surrey, GU2 8XG, UK

Signify
I.B.R.S. / C.C.R.I. Numéro 10461
5600 VB Eindhoven,
the Netherlands
☎00800-74454775

Philips and the Philips Shield Emblem are registered trademarks
of Koninklijke Philips N.V. and are used under license

3241 660 97002
www.philips.com/lighting

© 2023 Signify Holding

The Signify logo, which consists of a stylized 'S' inside a circle followed by the word "signify" in a lowercase, sans-serif font.