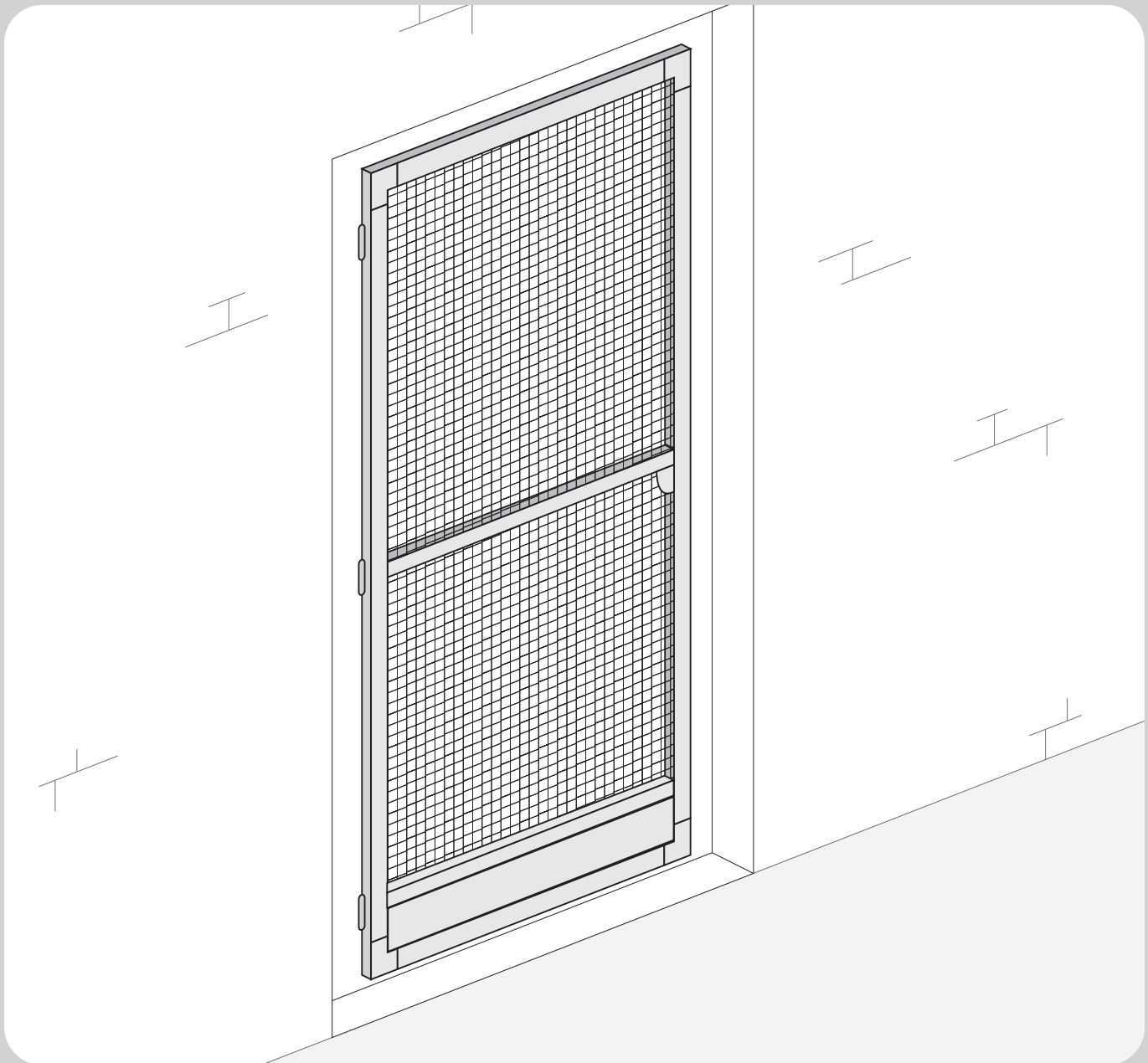


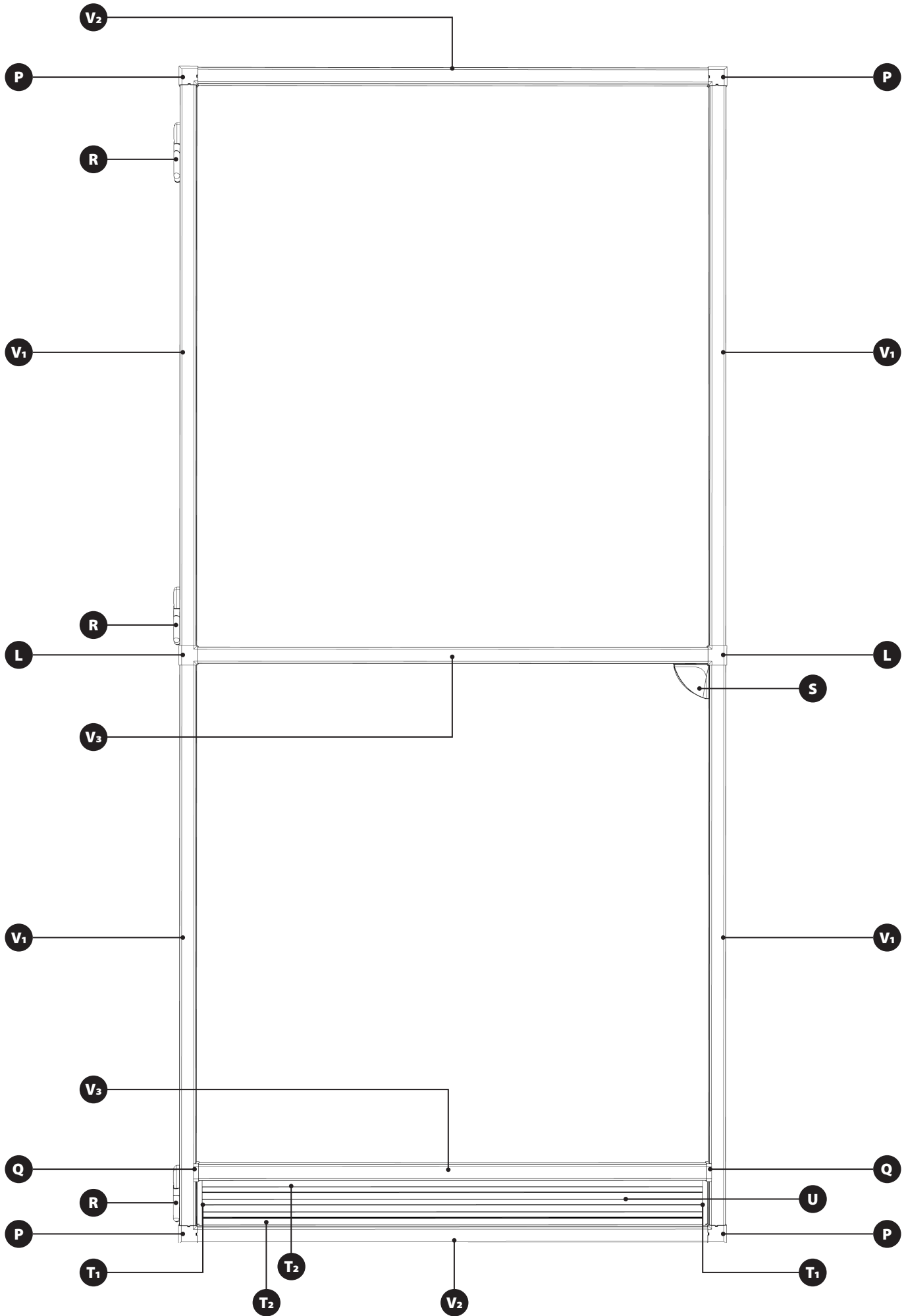


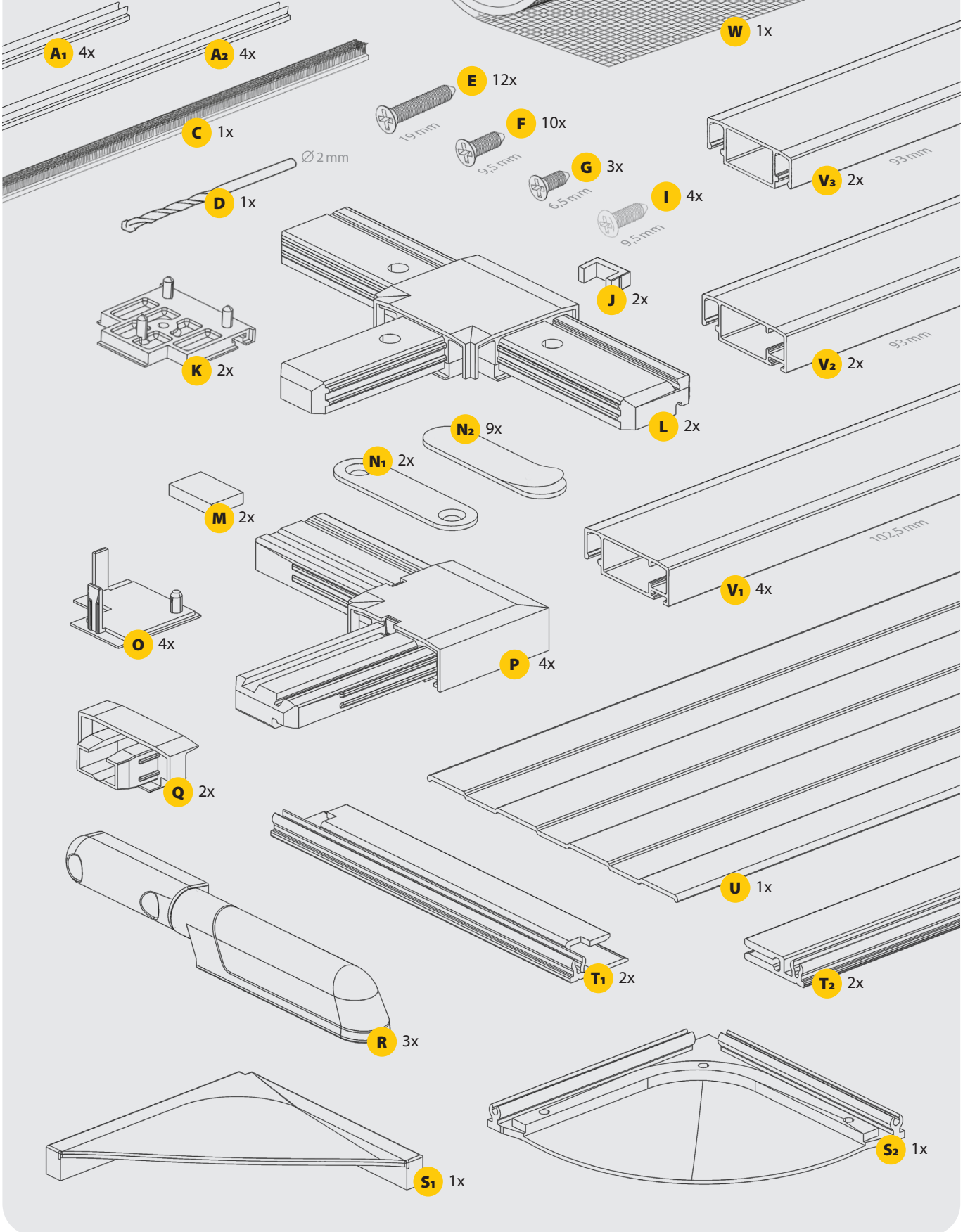
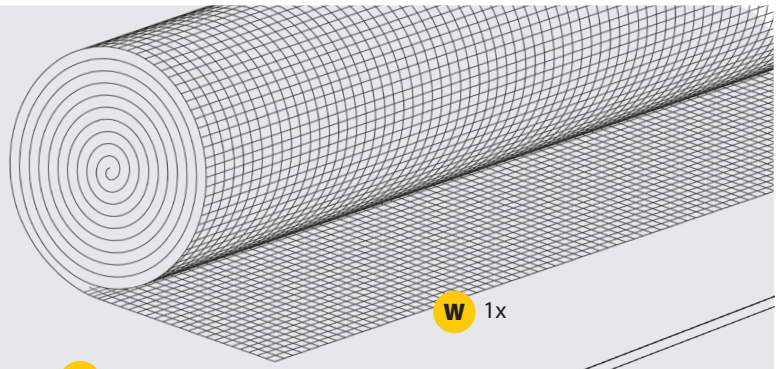

SCHELLENBERG

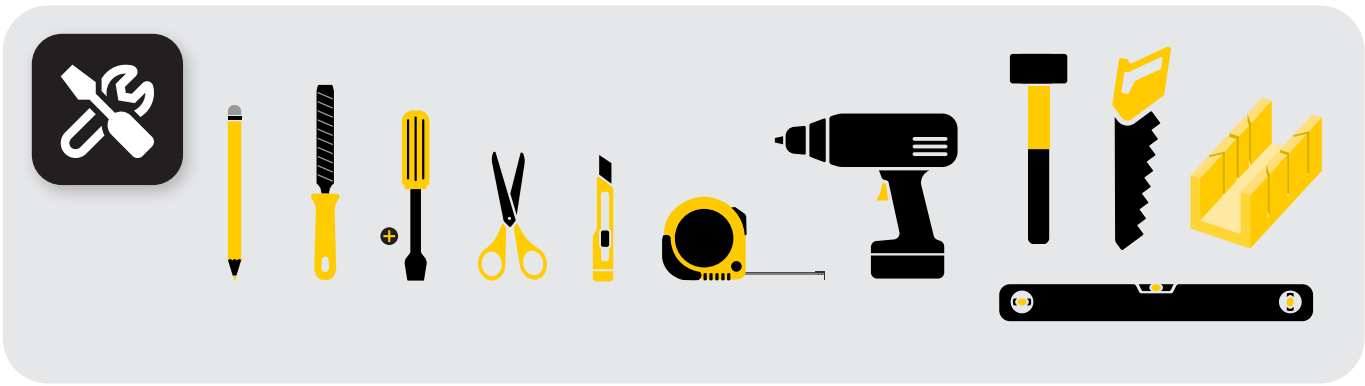
INSECTSYSTEM PREMIUM

70093, 70094, 70095, 70096

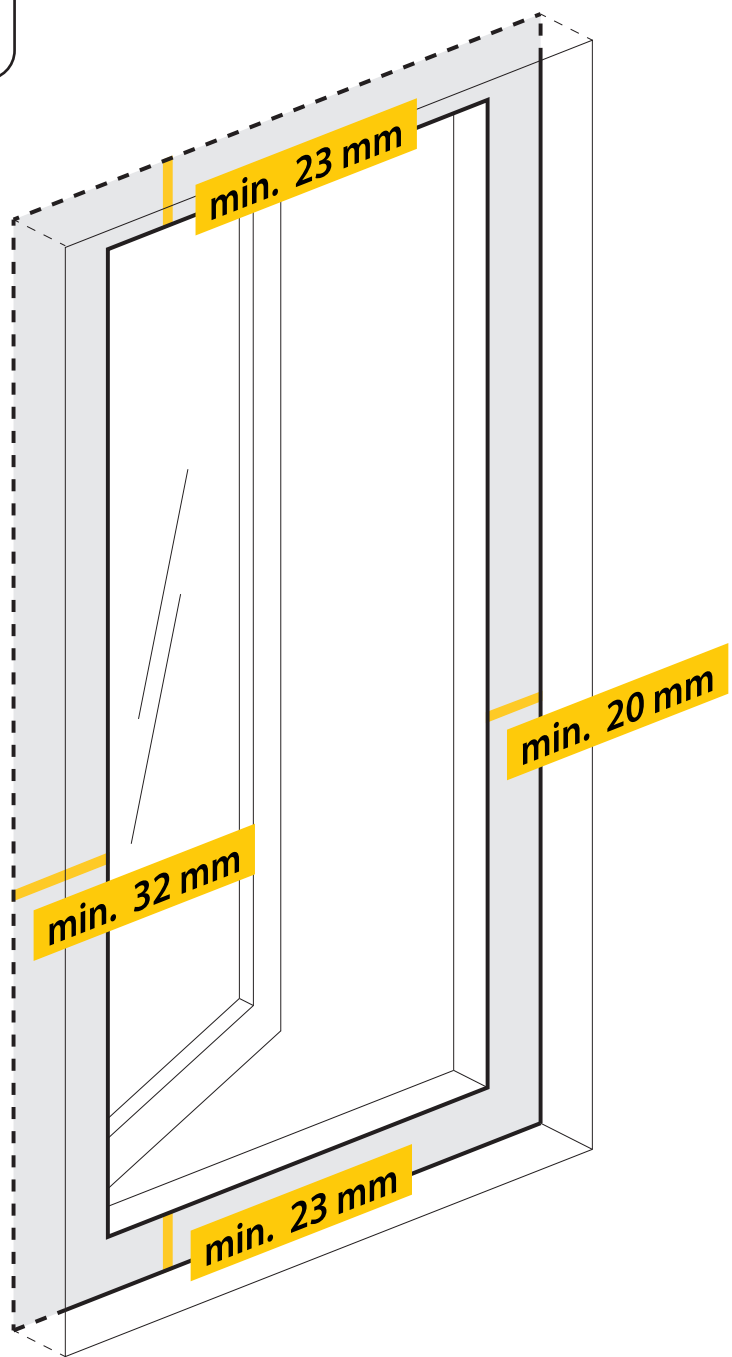








! **OPT 1**





A graphic promoting a YouTube channel. It features a play button icon, a person silhouette with a thought bubble, a laptop and monitor icon, and a QR code with the text "SCAN MICH". Below the icons is the URL www.youtube.com/asmedien.

! OPT 2

min. 23 mm

min. 20 mm

min. 23 mm

min. 32 mm

A technical drawing of a window frame assembly. The drawing shows a cross-section of the frame with a glass pane. Four yellow callout boxes indicate minimum dimensions: 23 mm for the top and bottom frame thickness, 20 mm for the side frame thickness, and 32 mm for the side frame depth. A warning icon and the text "OPT 2" are located in the top left corner of the drawing area.



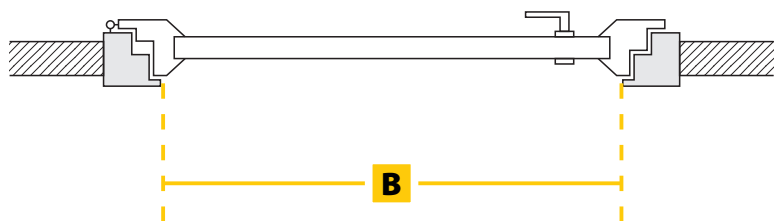
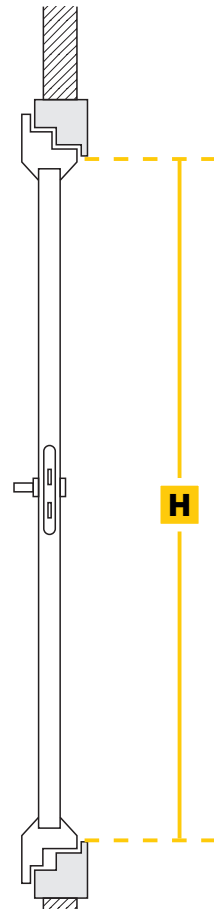
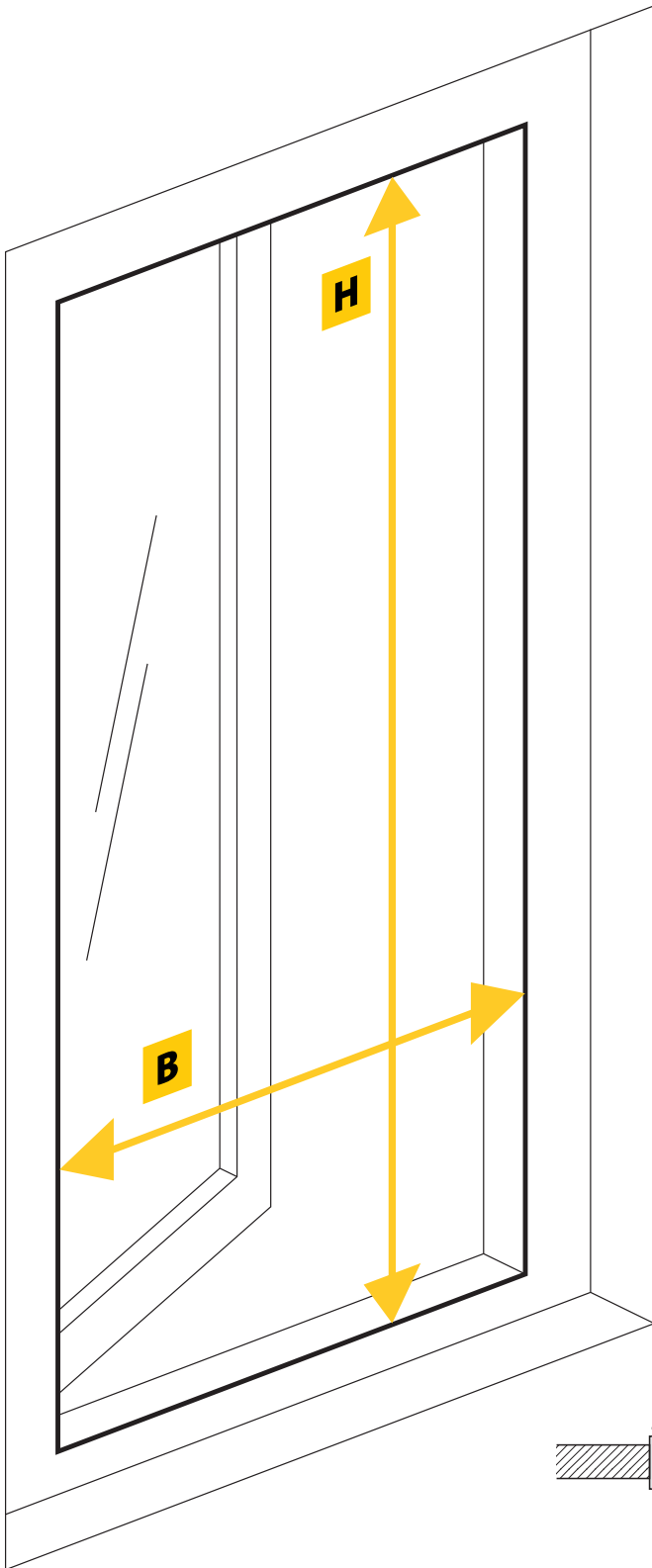


1

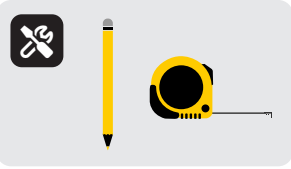


B = _____ cm

H = _____ cm



2



$$V_1 = (H - 6,0 \text{ cm}) : 2 = \underline{\hspace{2cm}} \text{ cm}$$



$$V_2 = B - 3,0 \text{ cm} = \underline{\hspace{2cm}} \text{ cm}$$



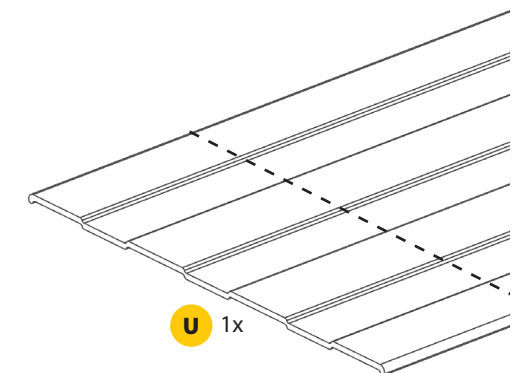
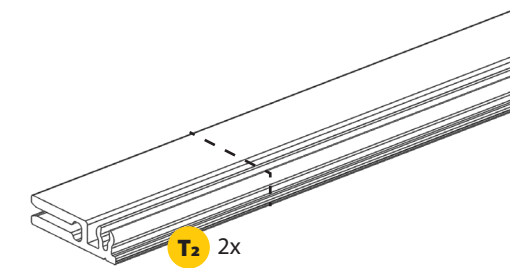
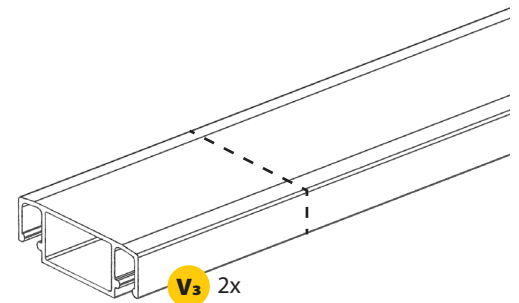
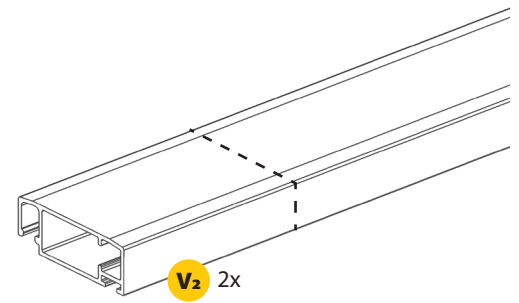
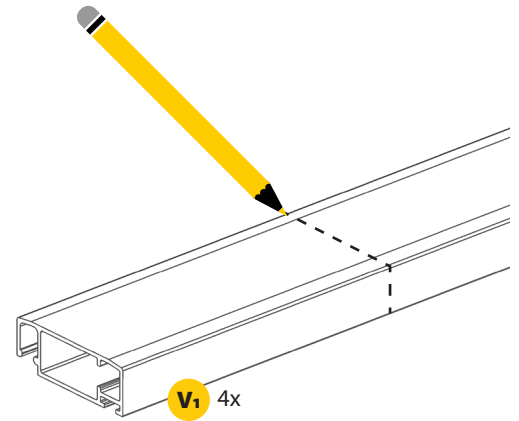
$$V_3 = B - 3,0 \text{ cm} = \underline{\hspace{2cm}} \text{ cm}$$



$$T_2 = B - 4,8 \text{ cm} = \underline{\hspace{2cm}} \text{ cm}$$

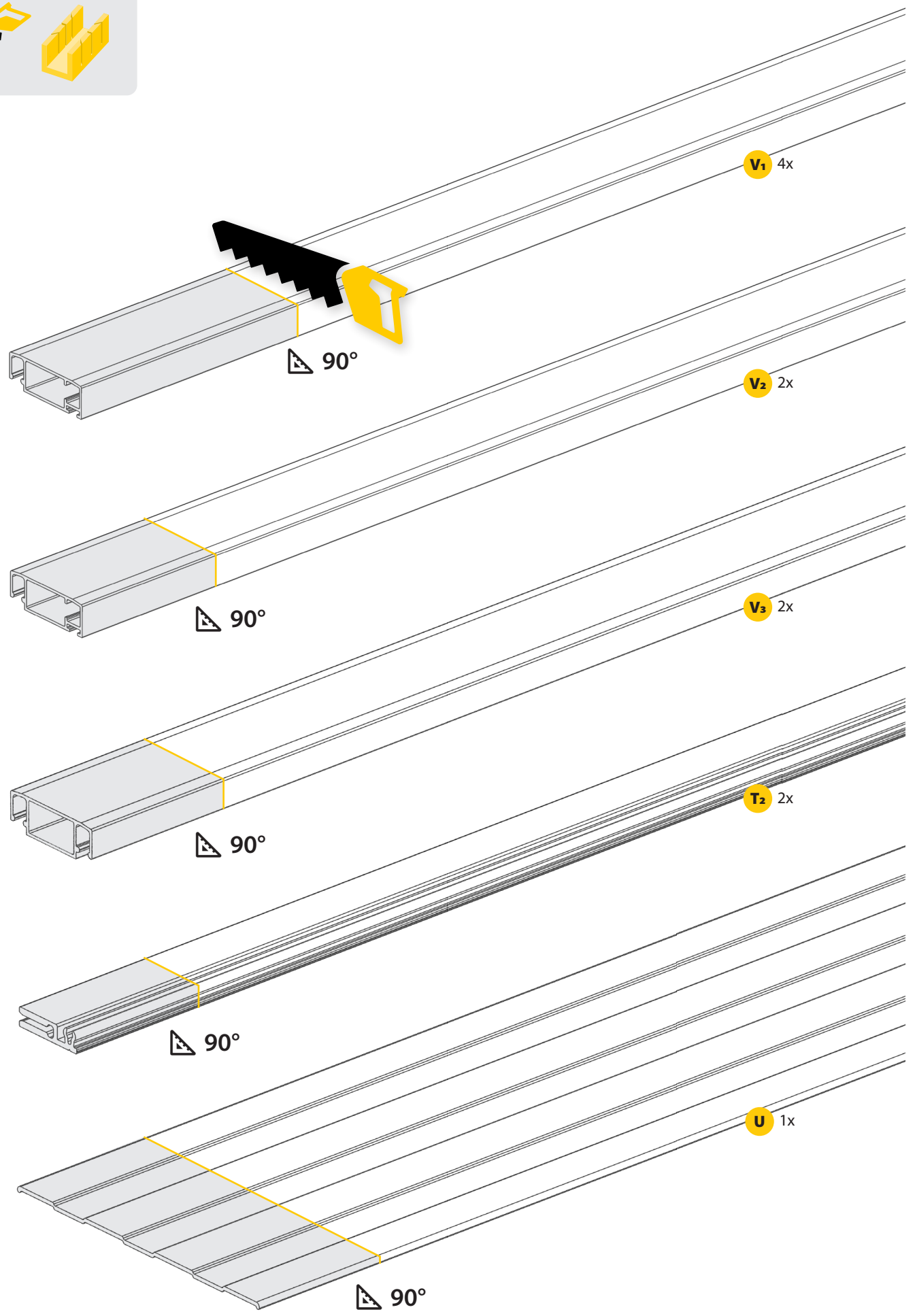
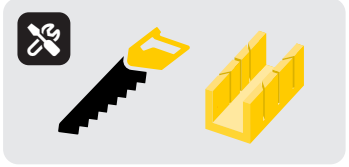


$$U = B - 3,0 \text{ cm} = \underline{\hspace{2cm}} \text{ cm}$$



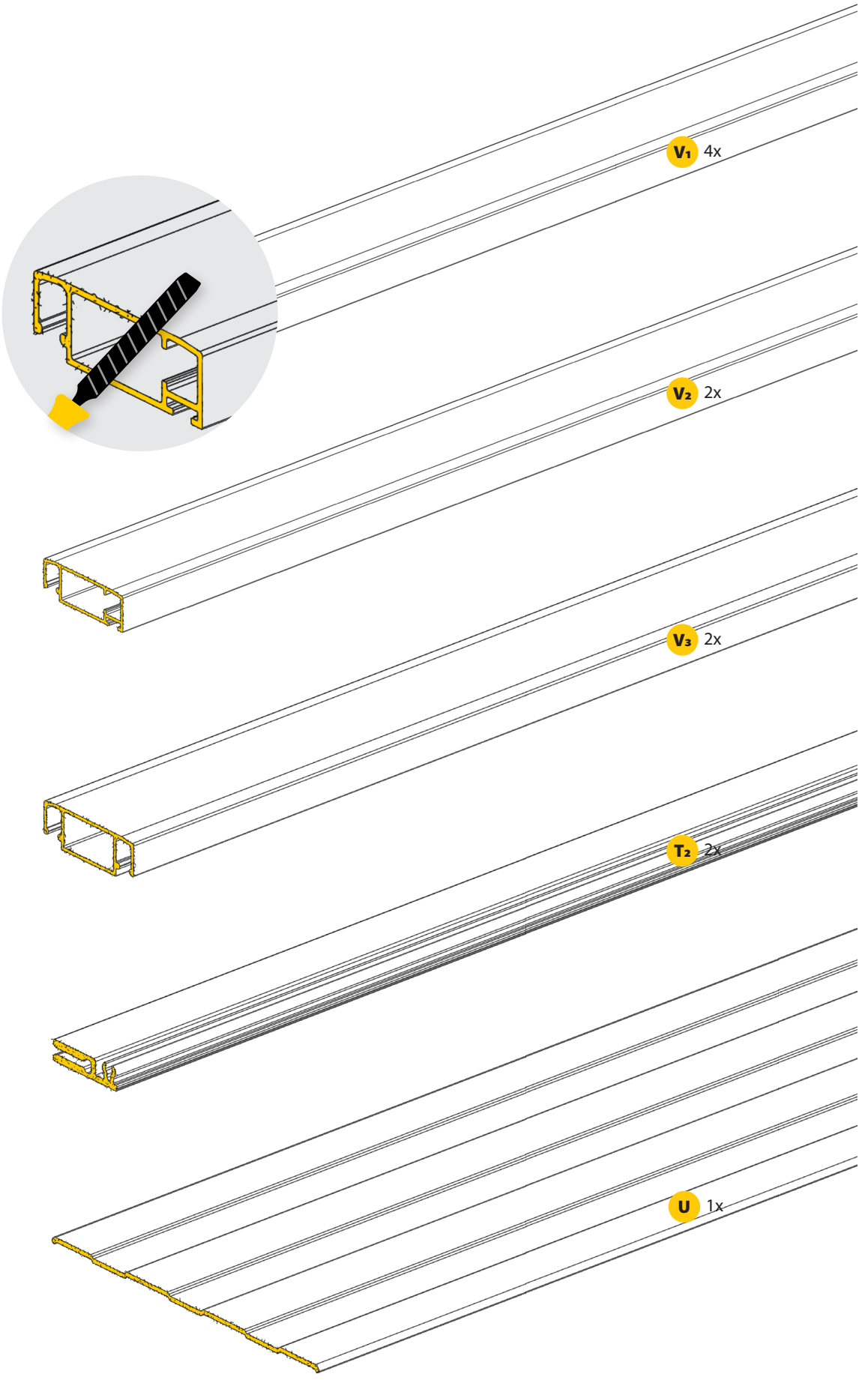


3



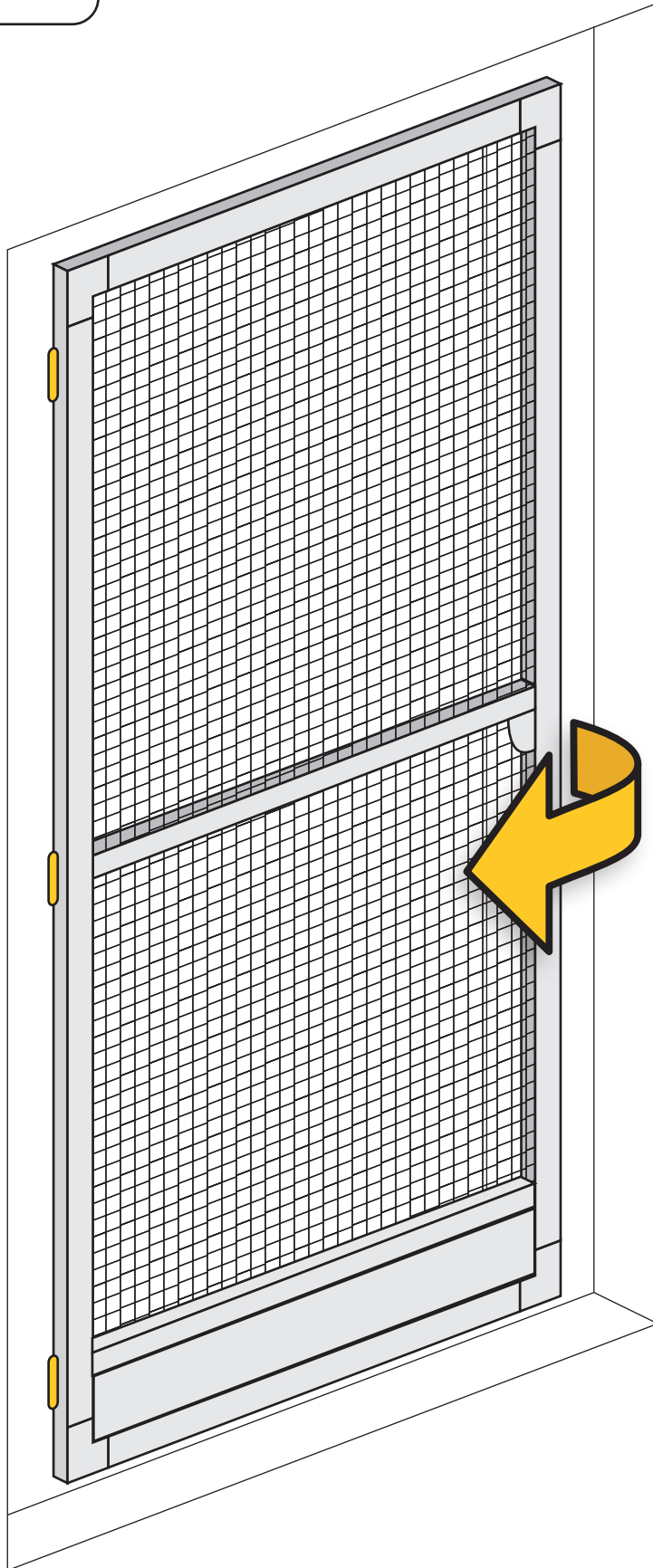


4



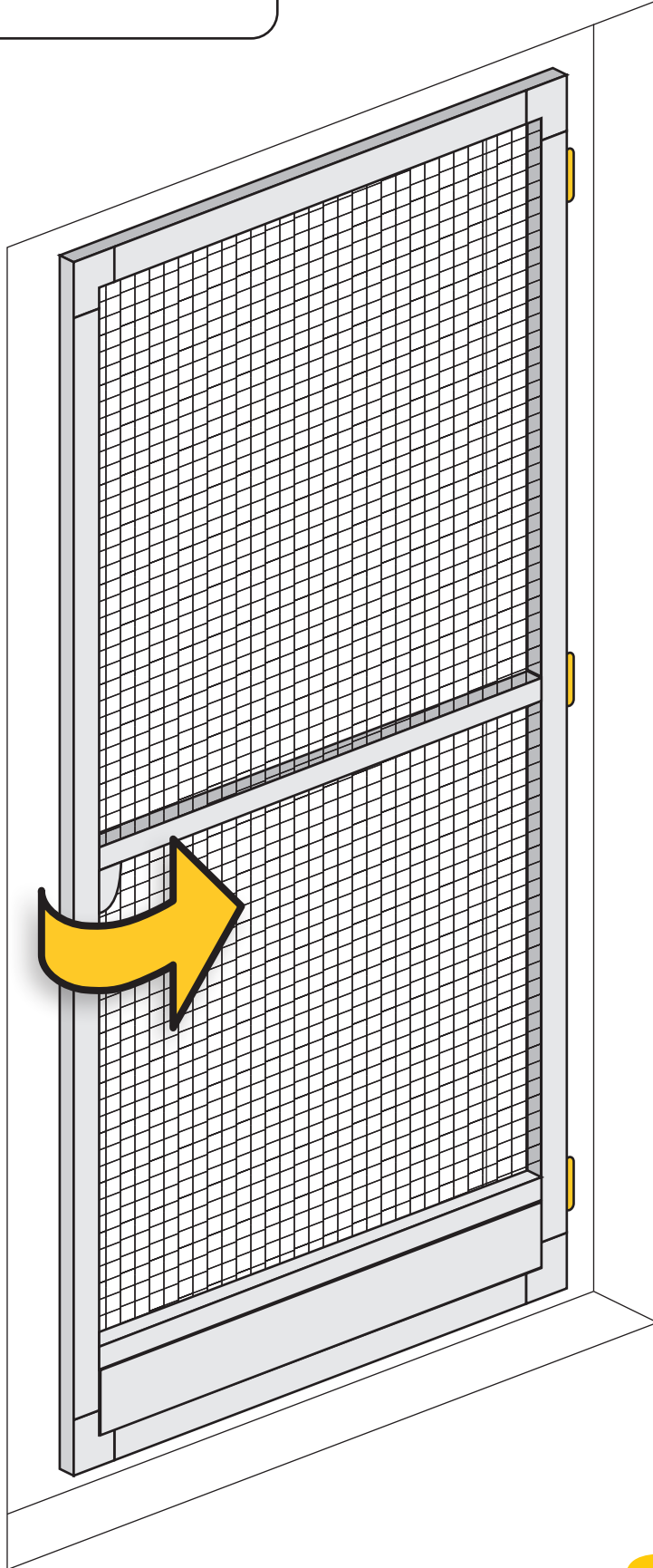


OPT 1





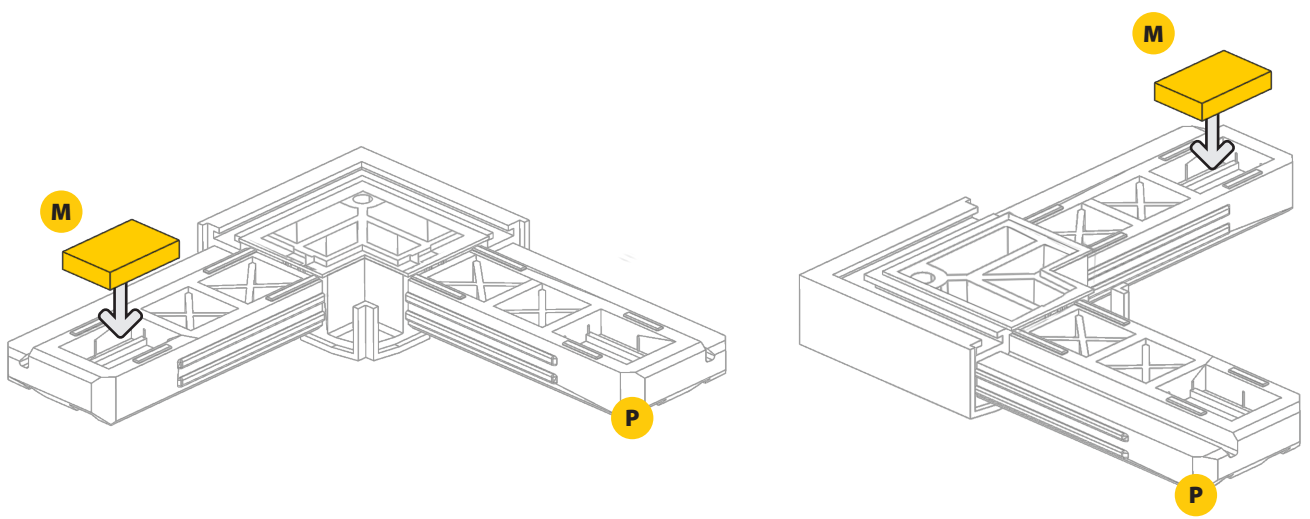
OPT 2 *online



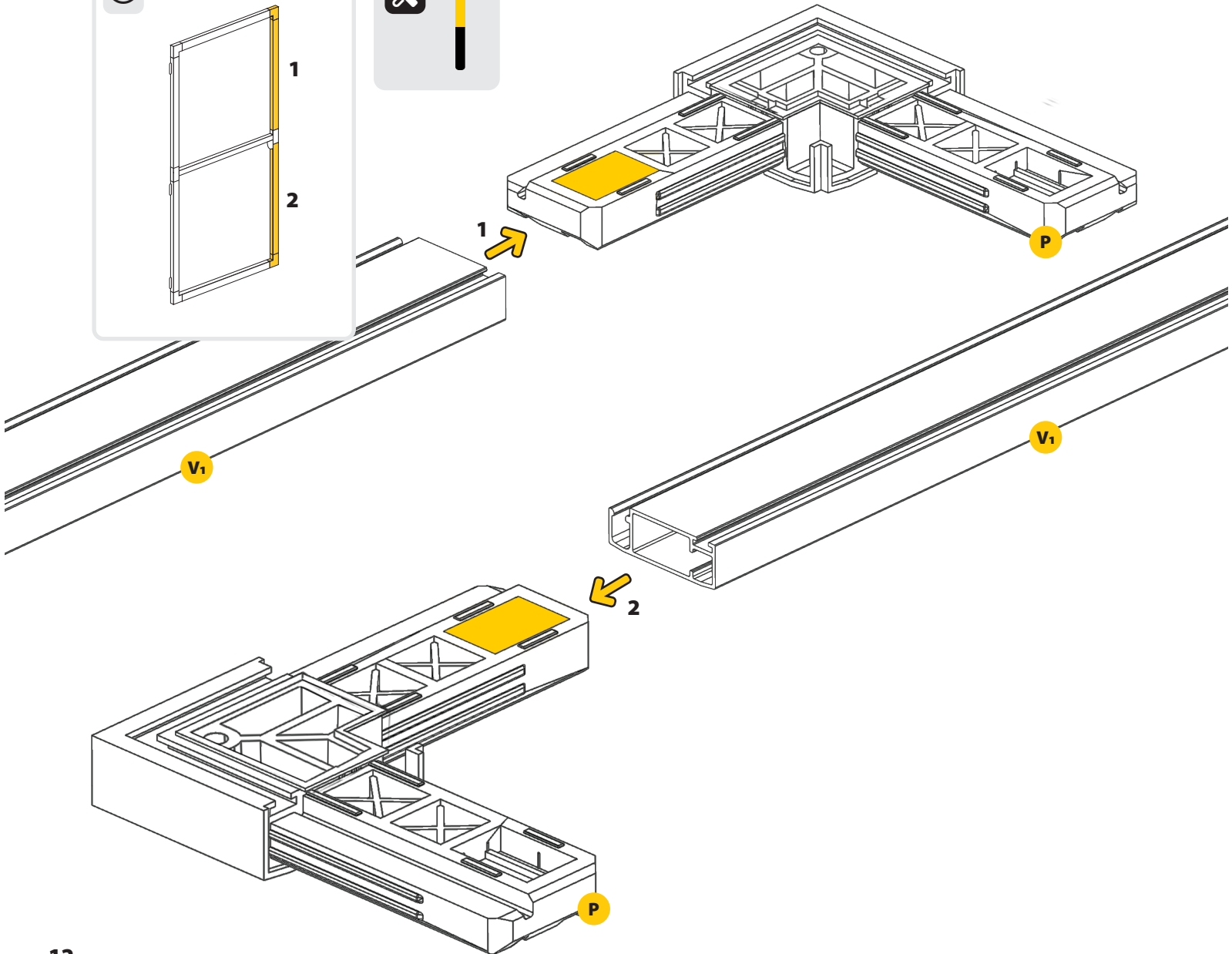
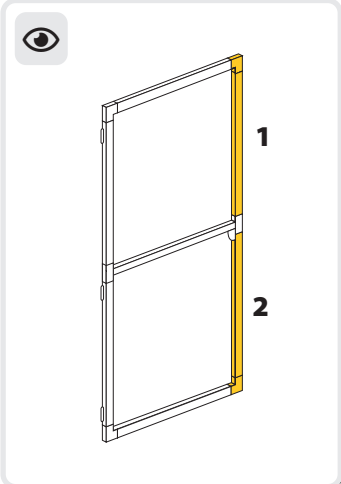
* www.schellenberg.de/mta-70093



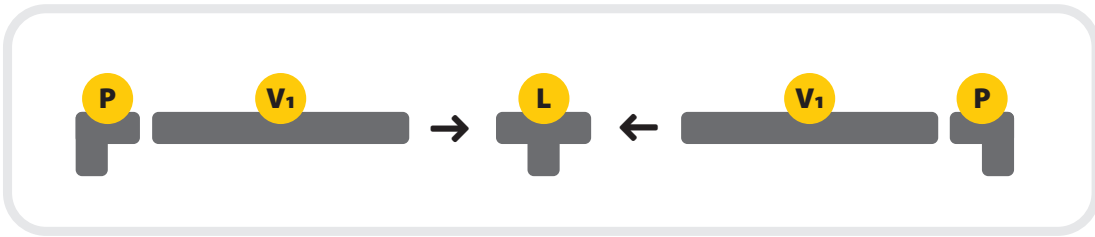
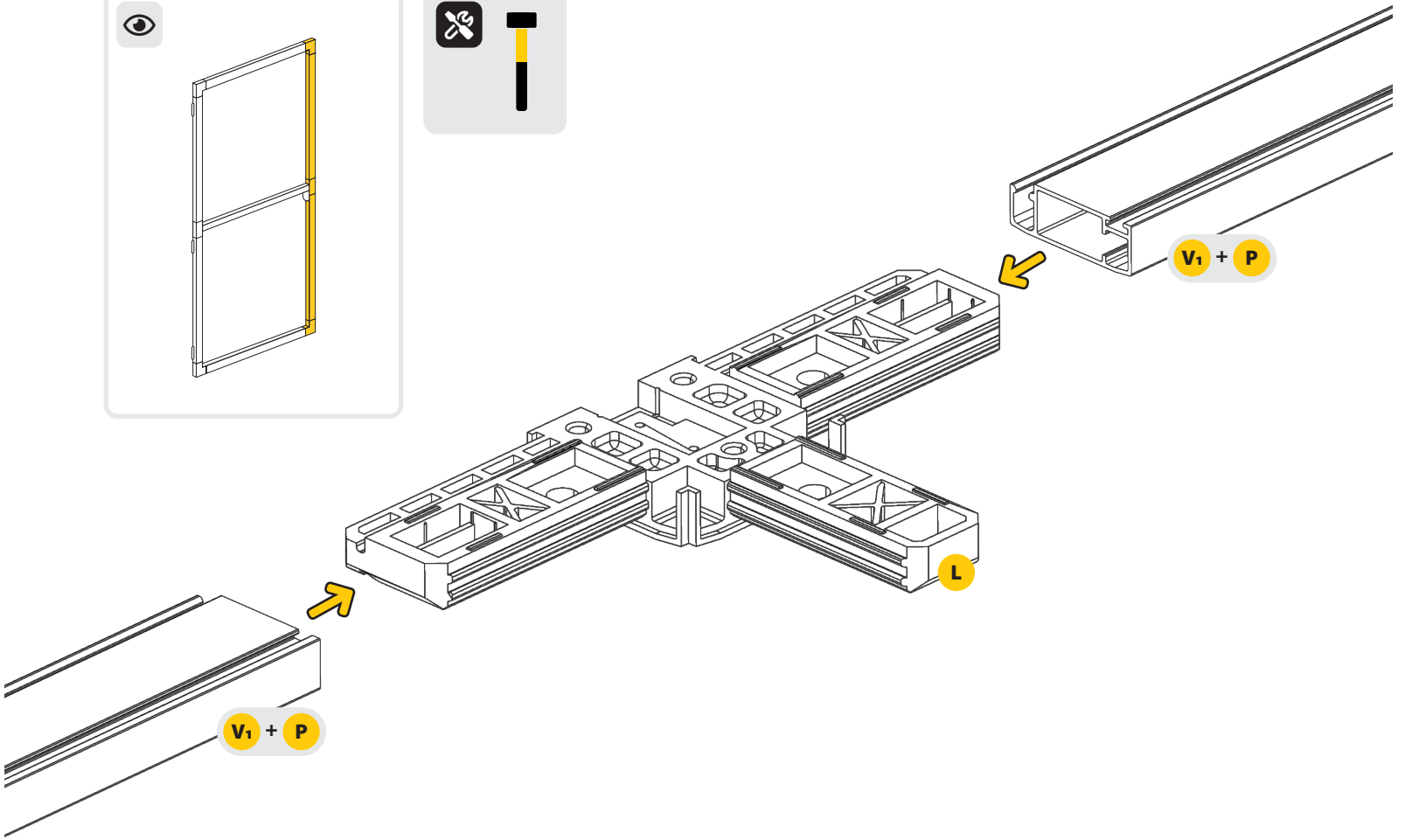
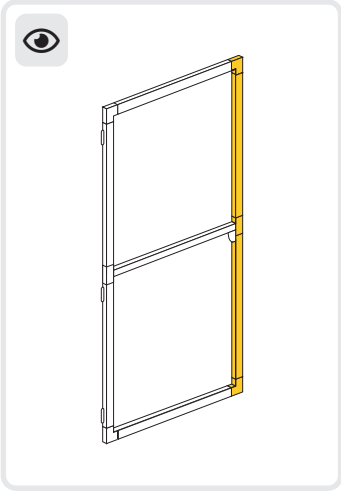
5 OPT 1



6 OPT 1

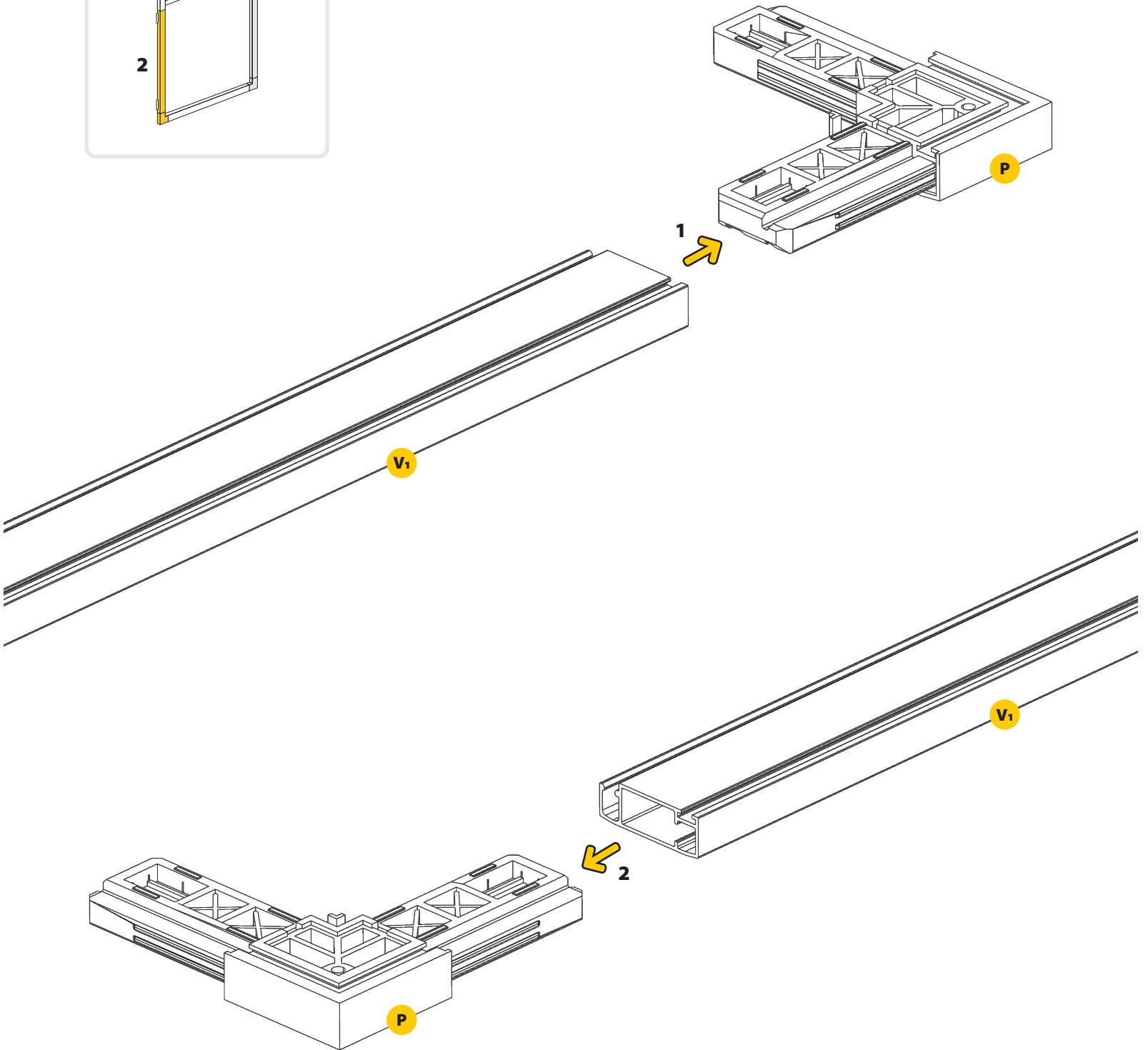
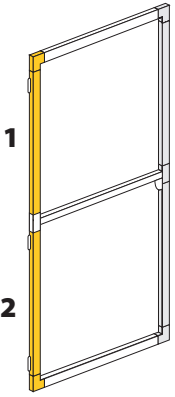


7 OPT 1



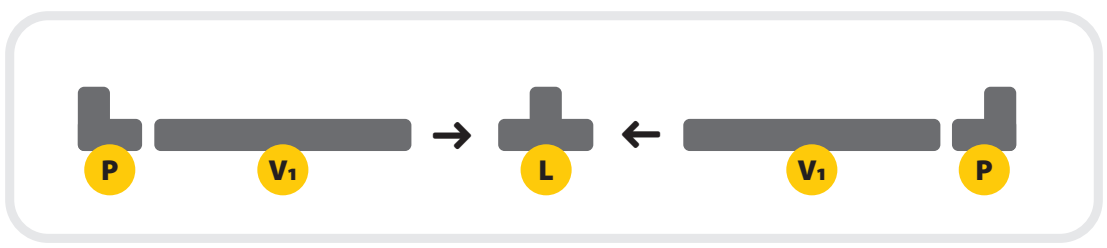
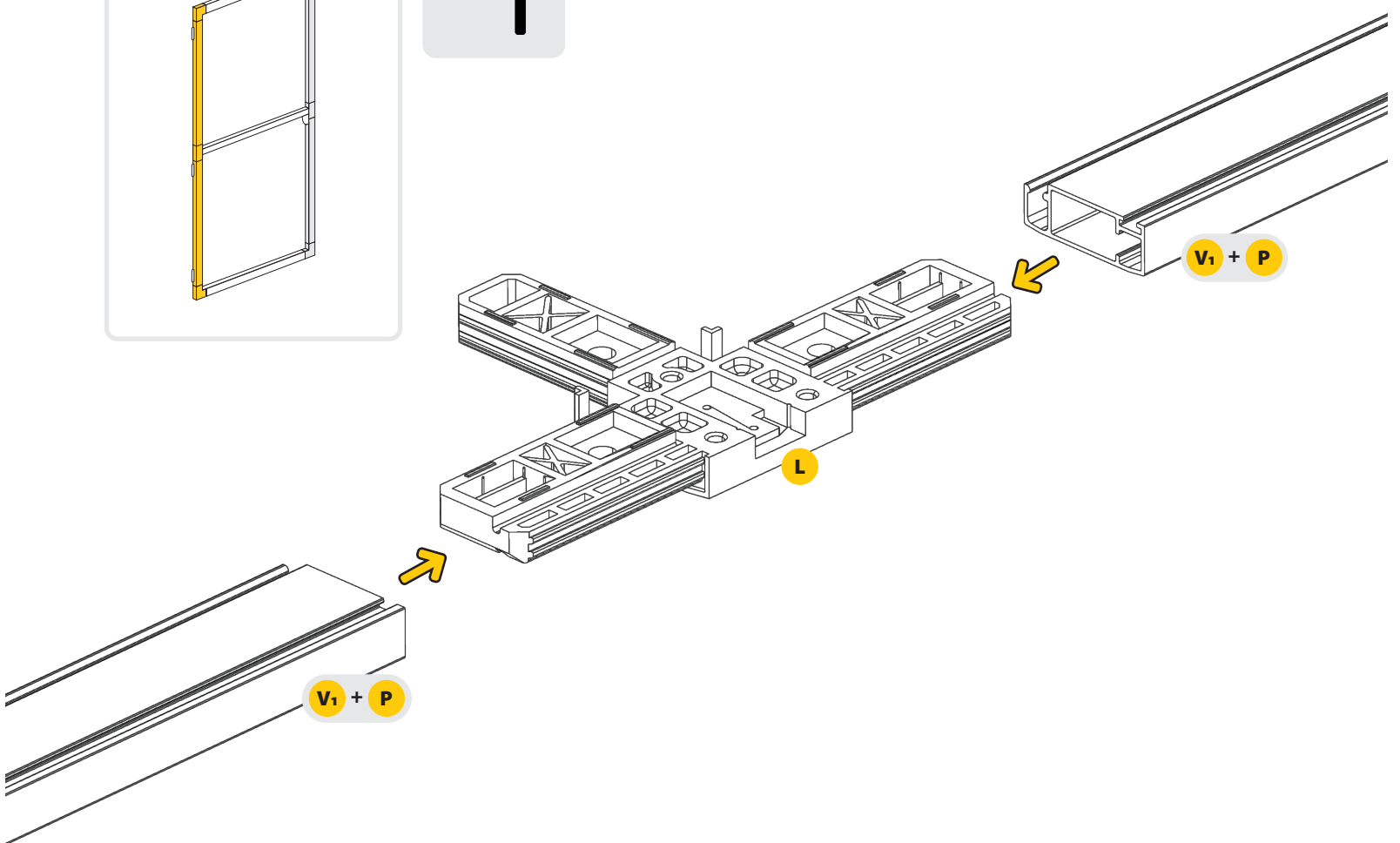
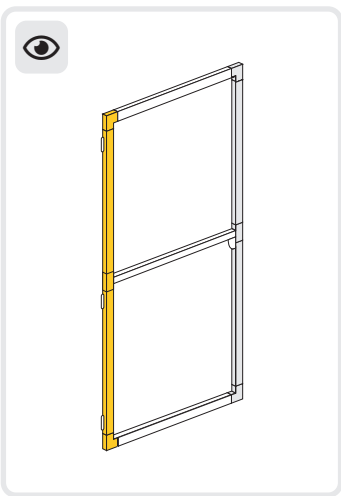


8 OPT 1



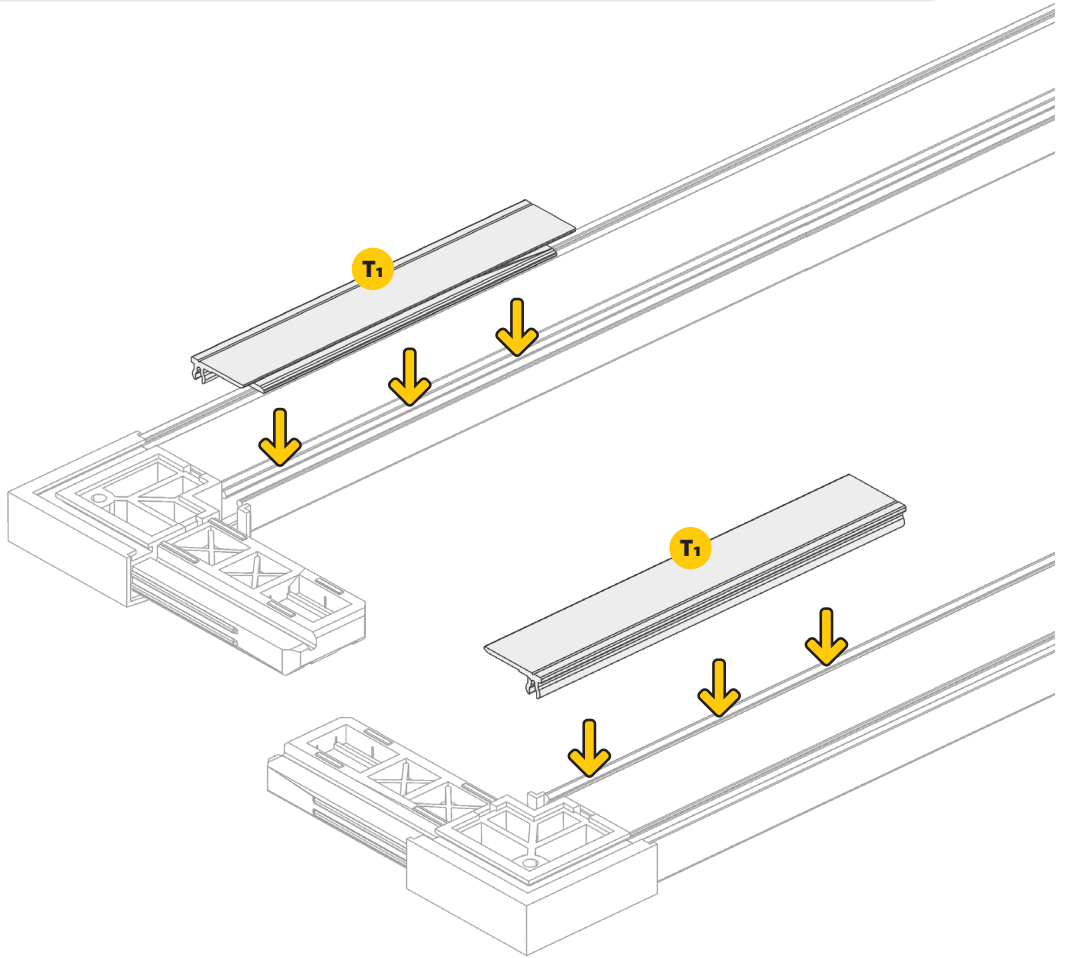
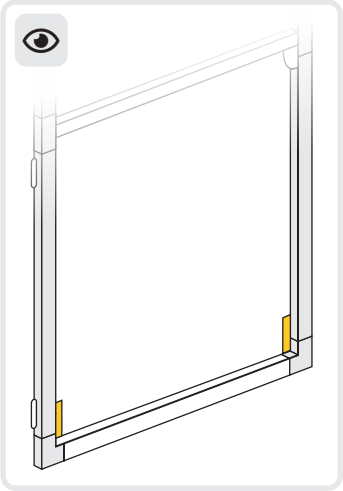


9 OPT 1

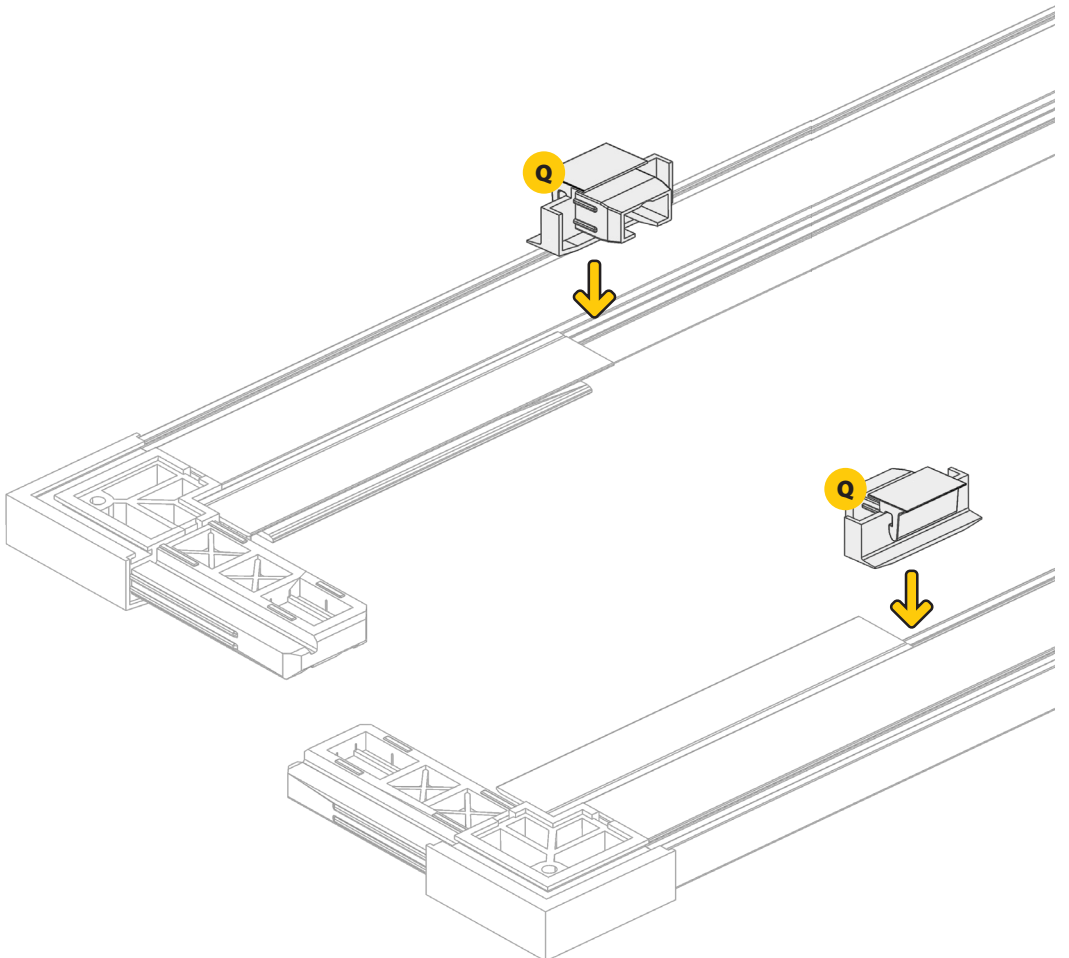
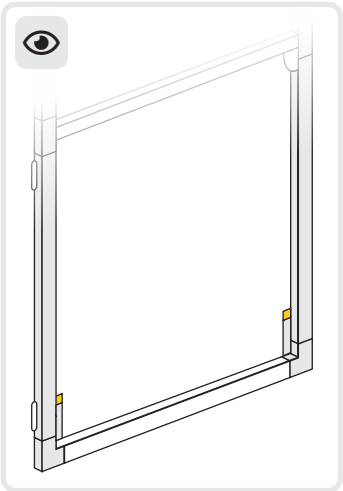




10 OPT 1

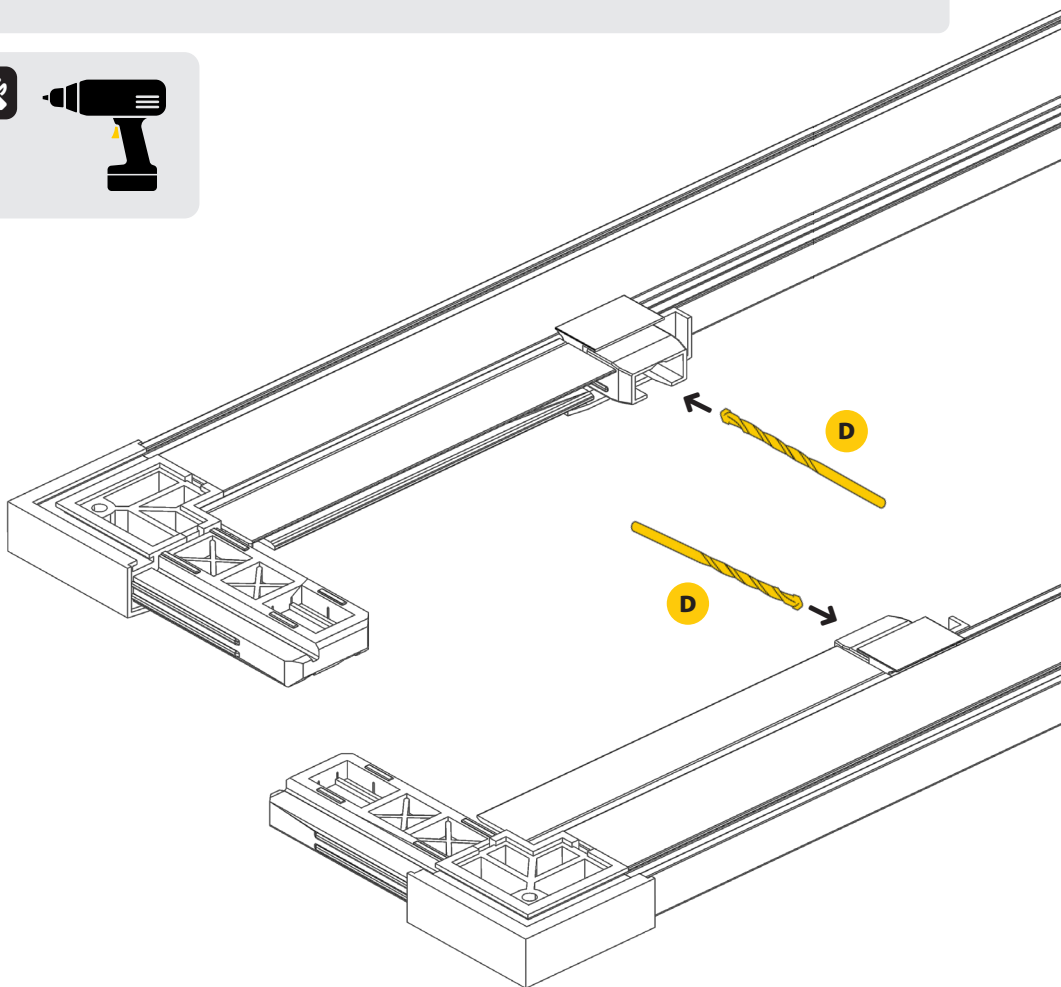
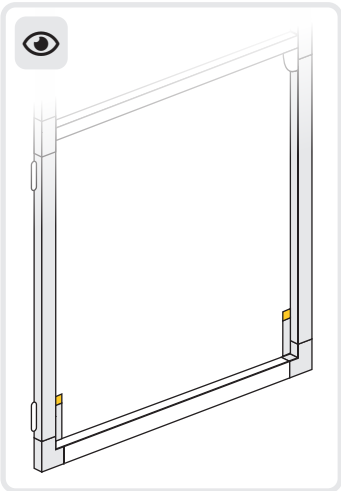


11 OPT 1

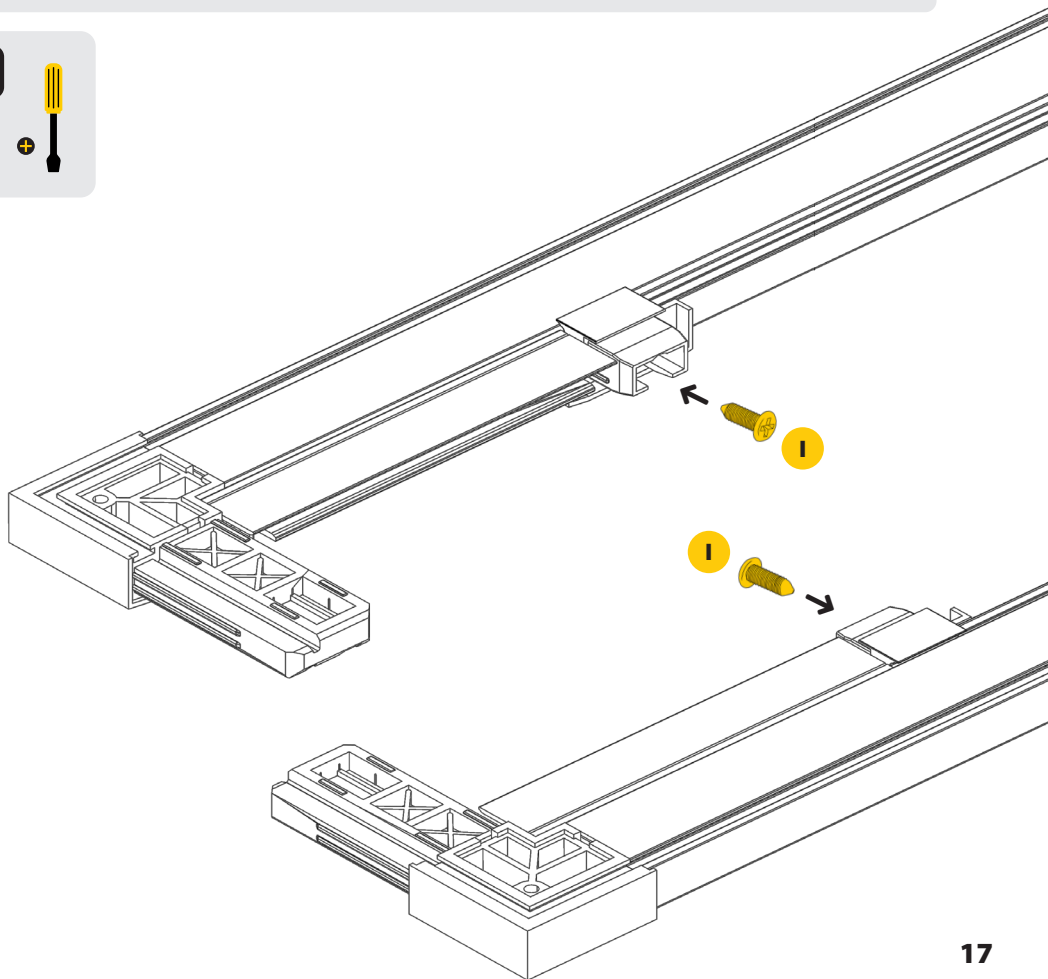
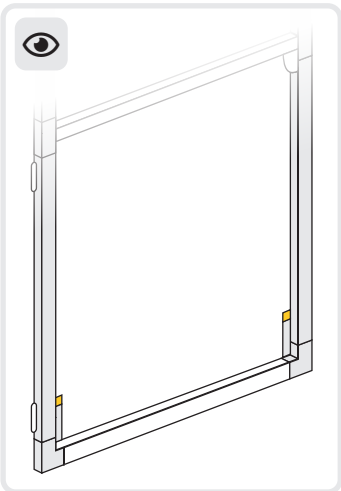




12 OPT 1

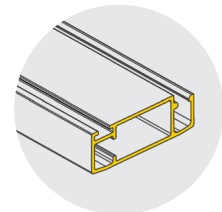
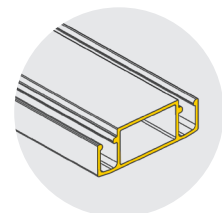
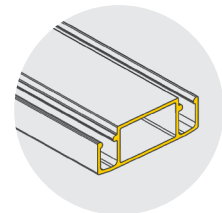
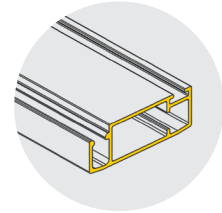
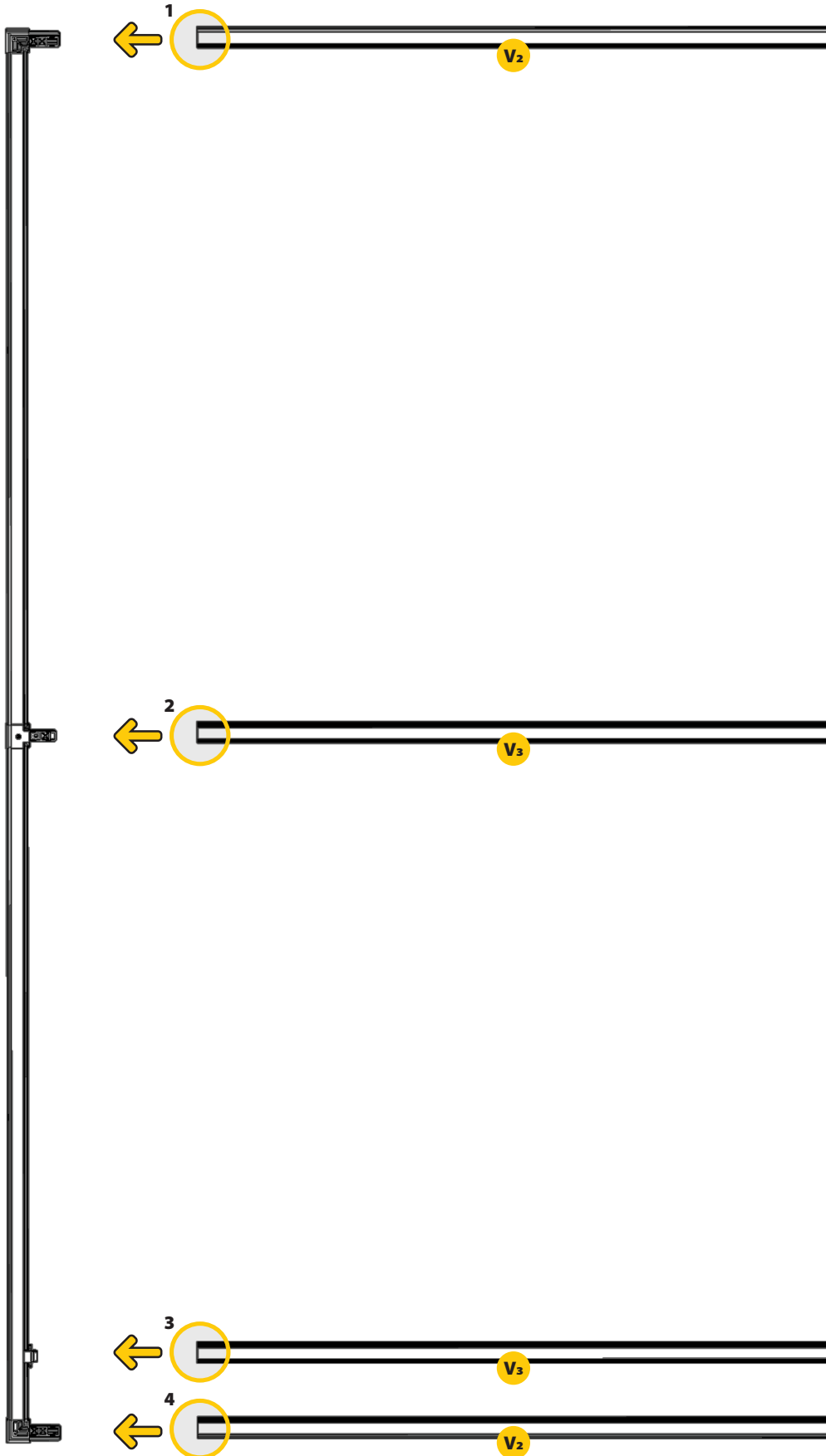


13 OPT 1

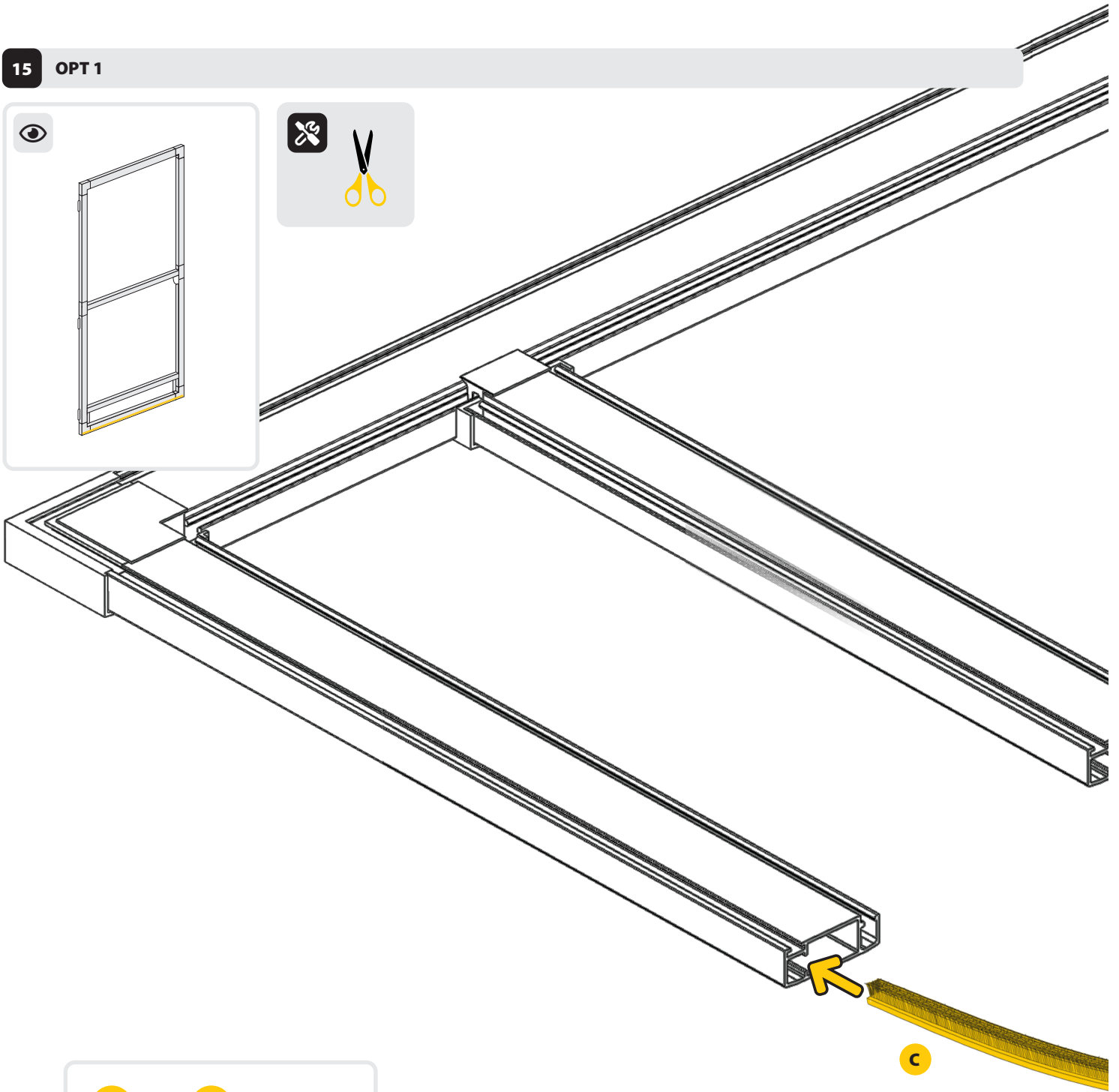




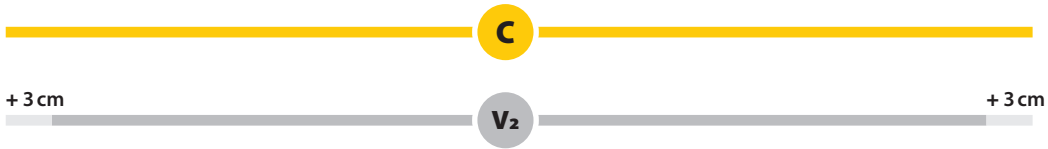
14 OPT 1



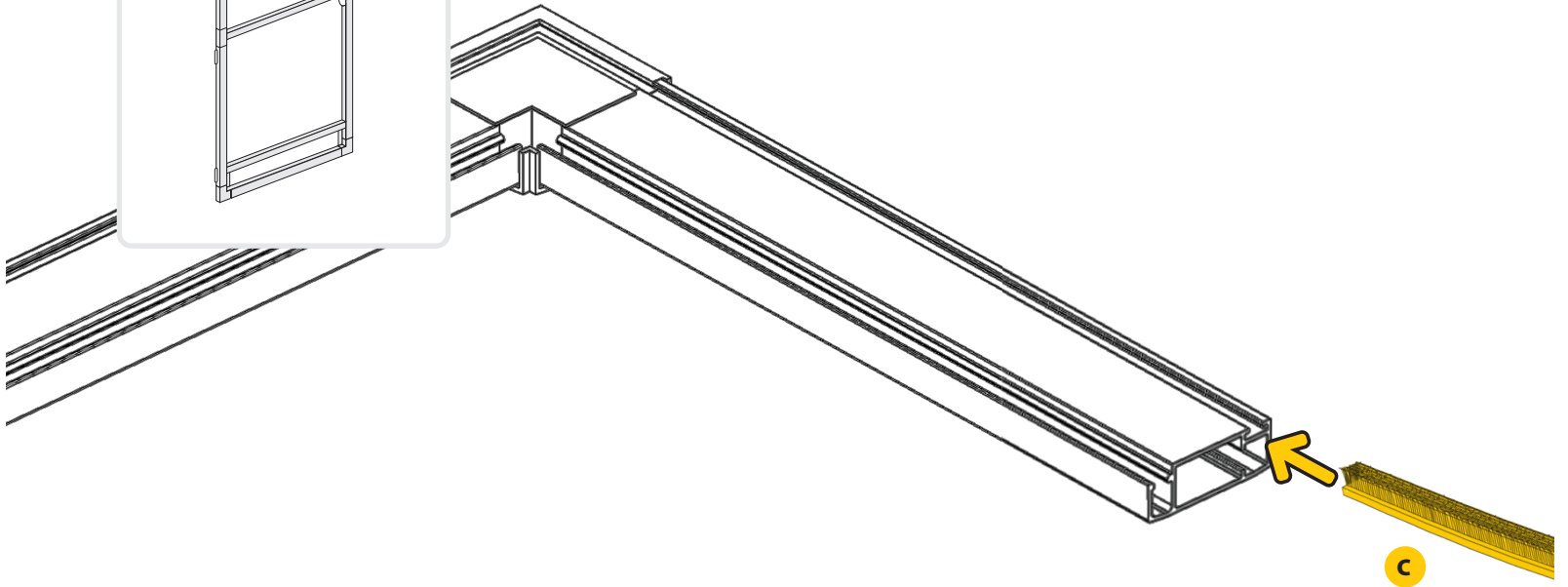
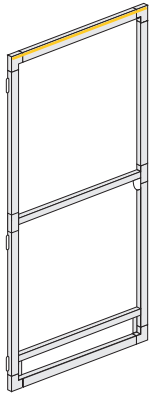
15 OPT 1



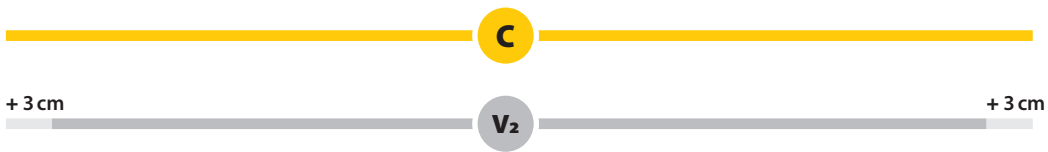
$$c = v_2 + 6 \text{ cm}$$



16 OPT 1



$$C = v_2 + 6 \text{ cm}$$

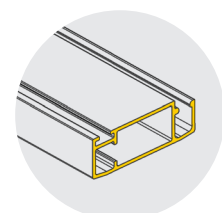
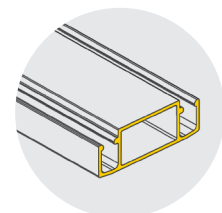
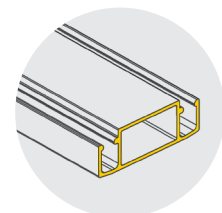
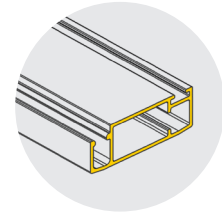
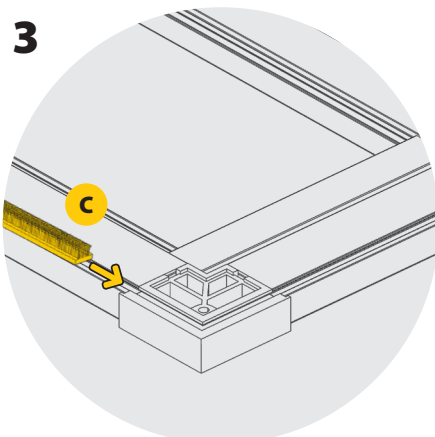
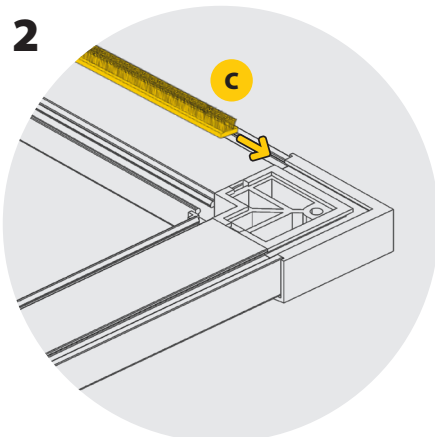
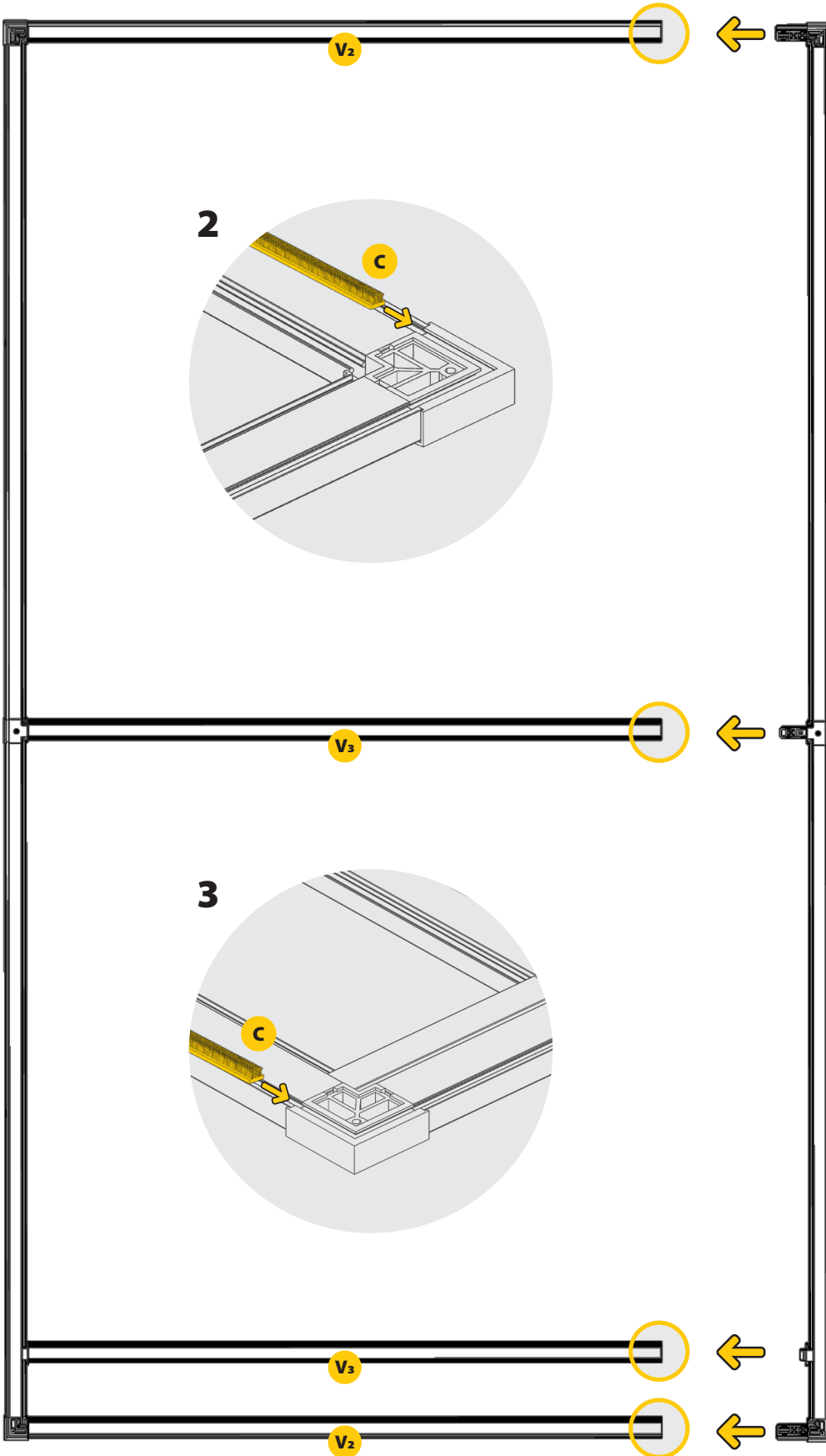




17 OPT 1

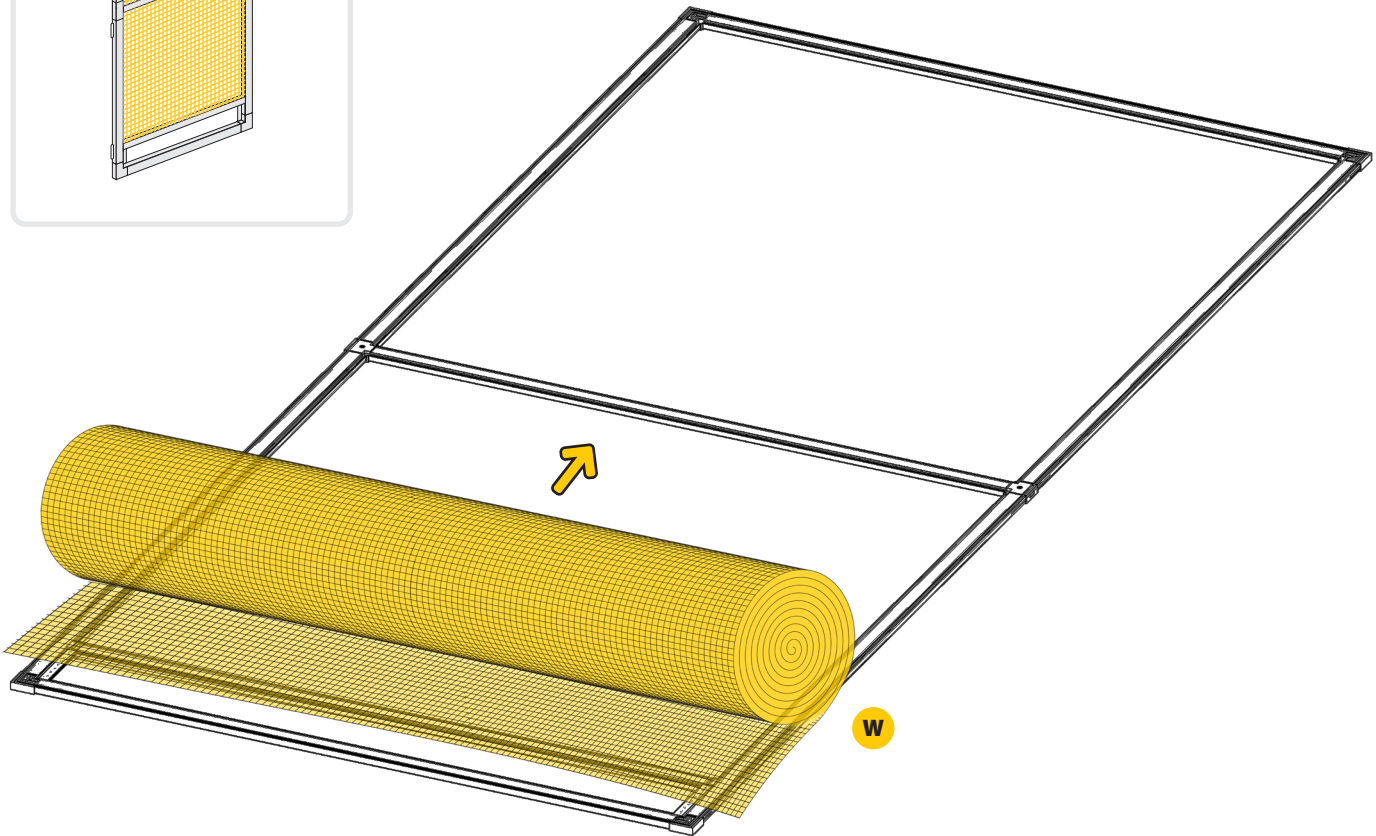
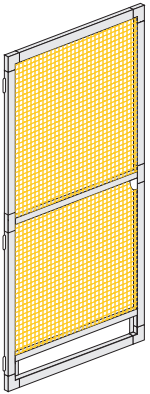


1

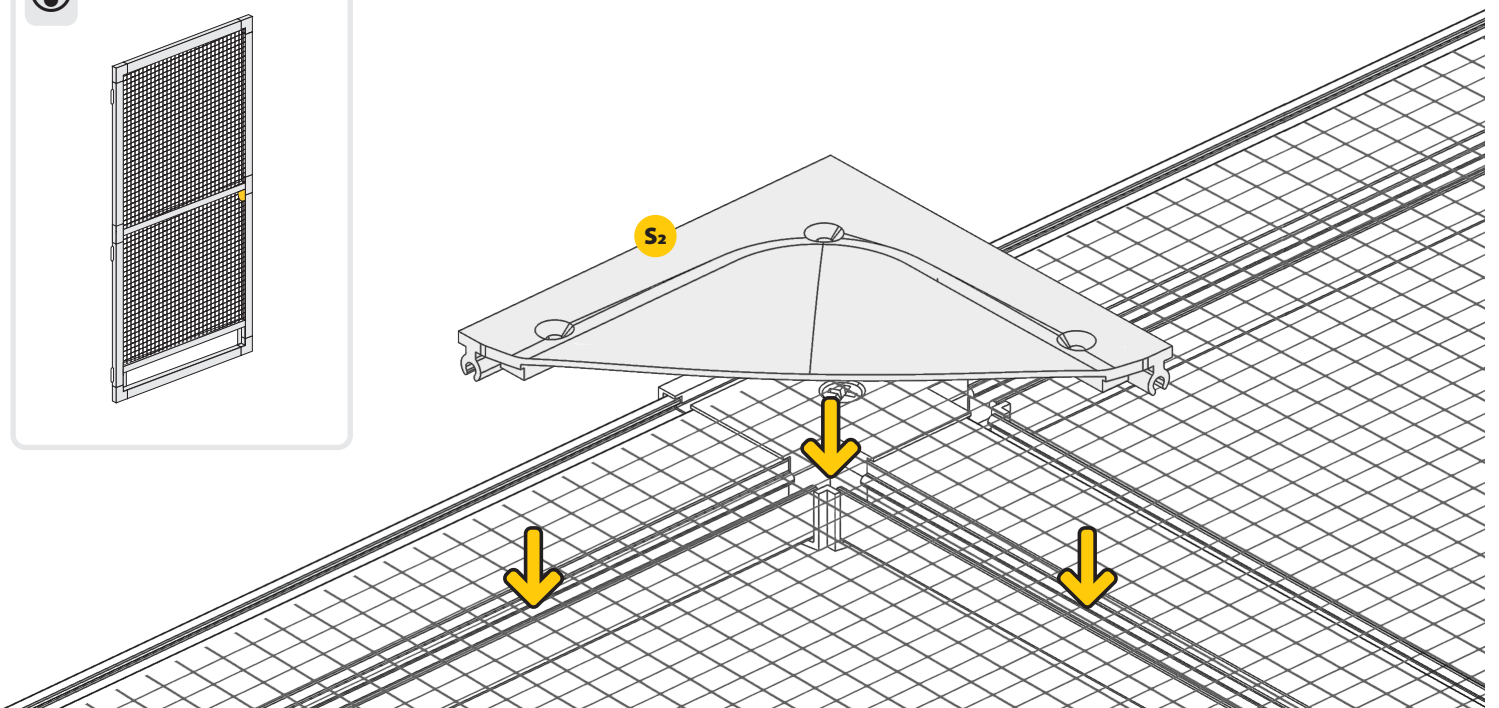
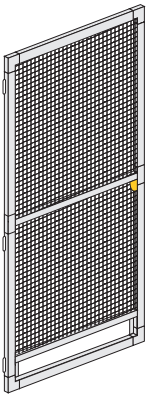




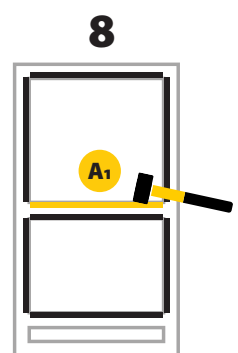
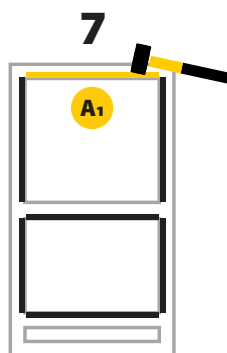
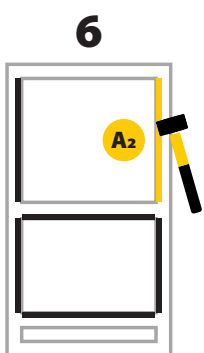
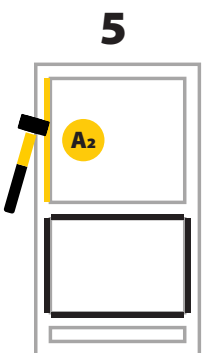
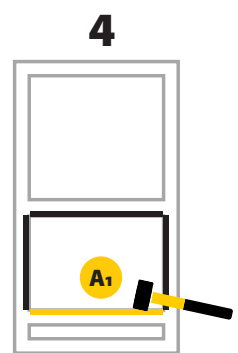
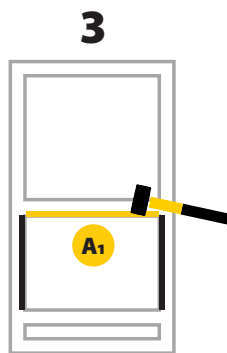
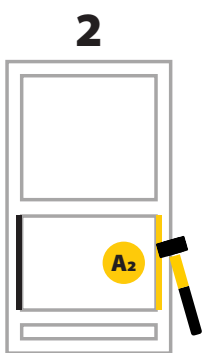
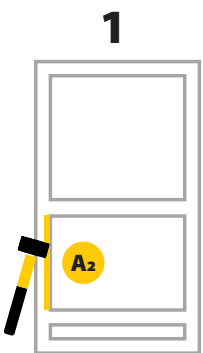
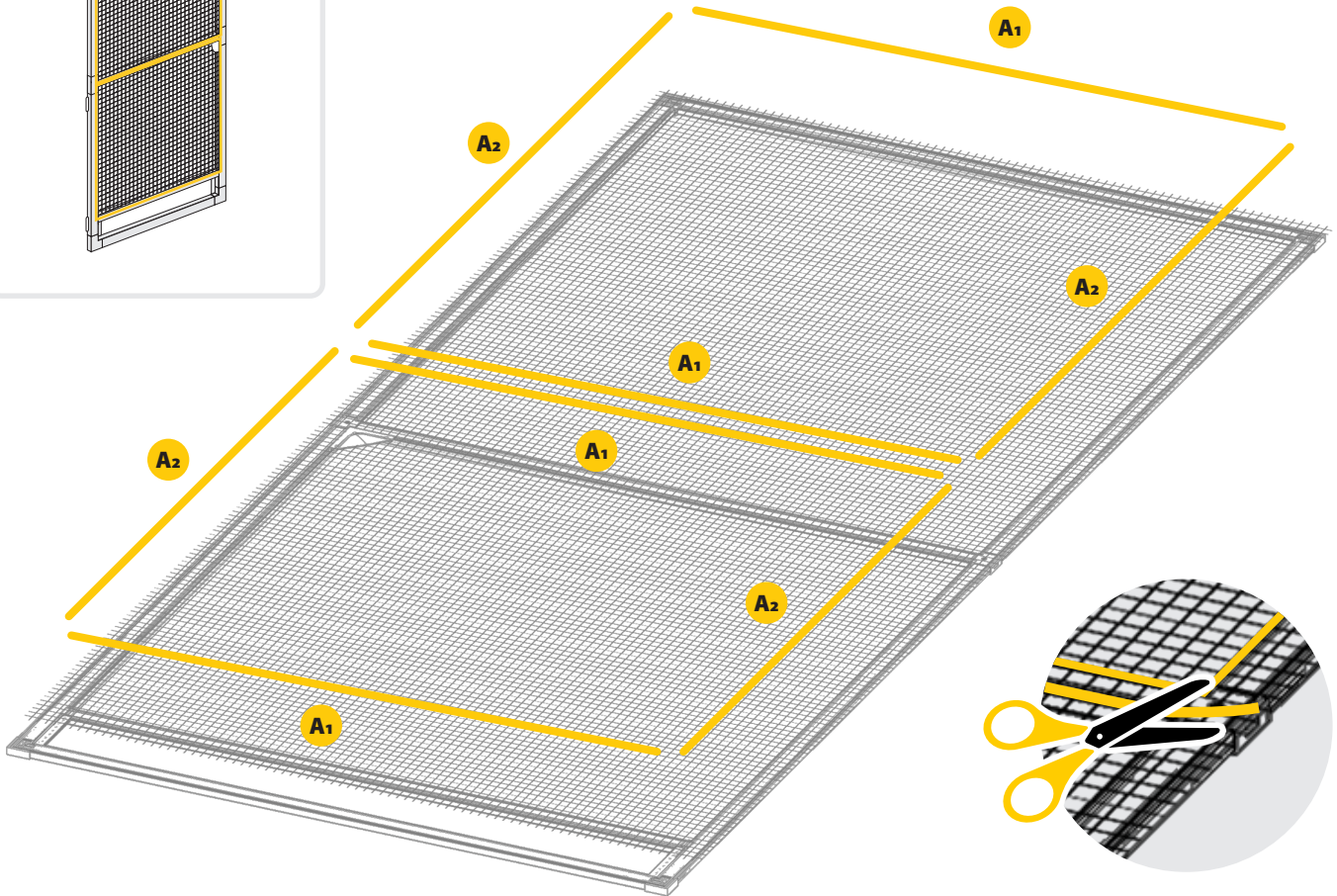
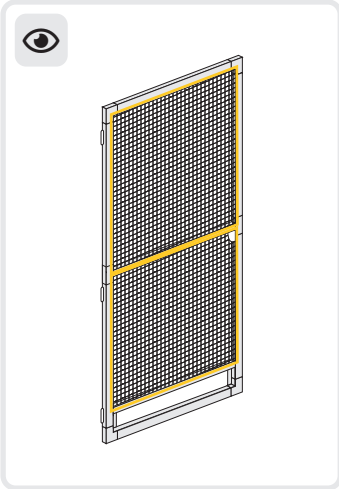
18 OPT 1



19 OPT 1

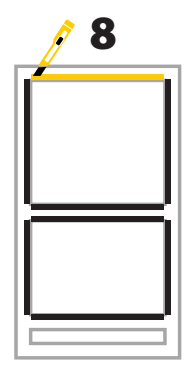
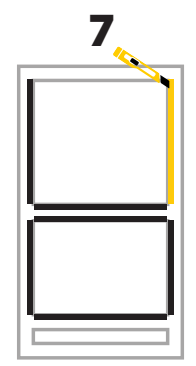
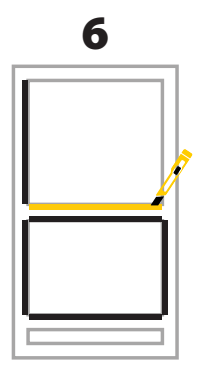
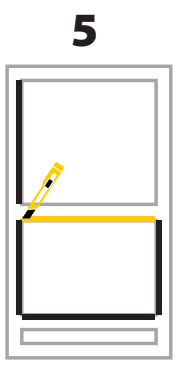
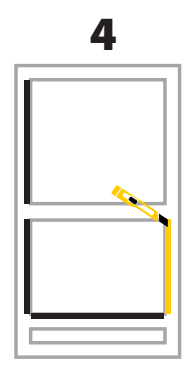
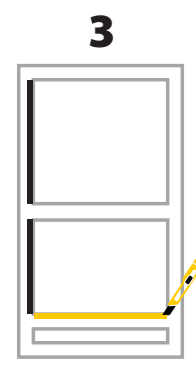
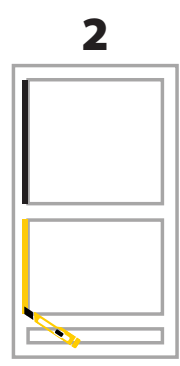
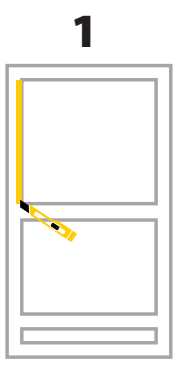
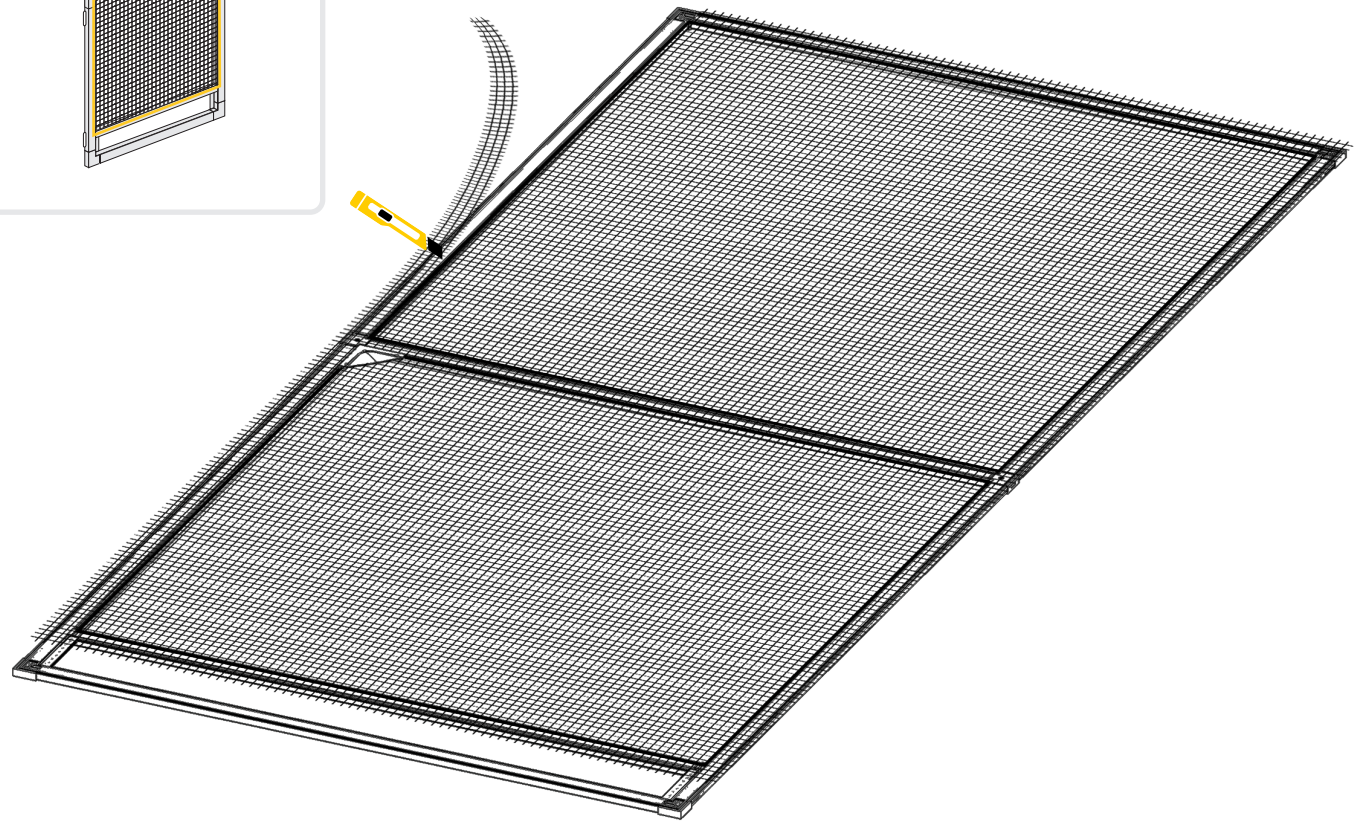
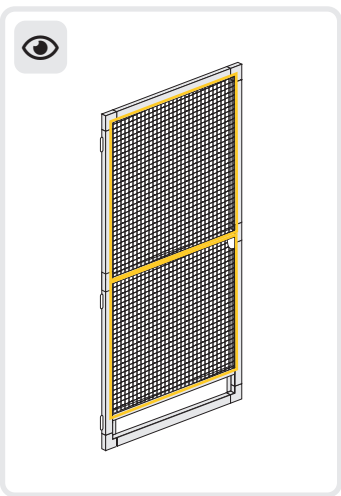


20 OPT 1

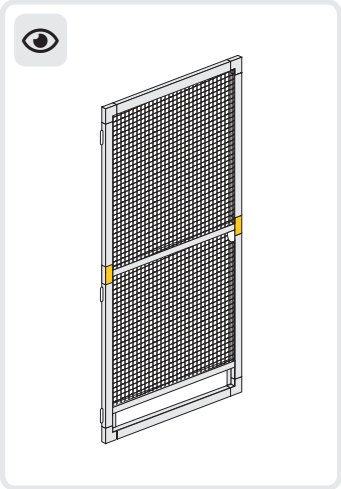




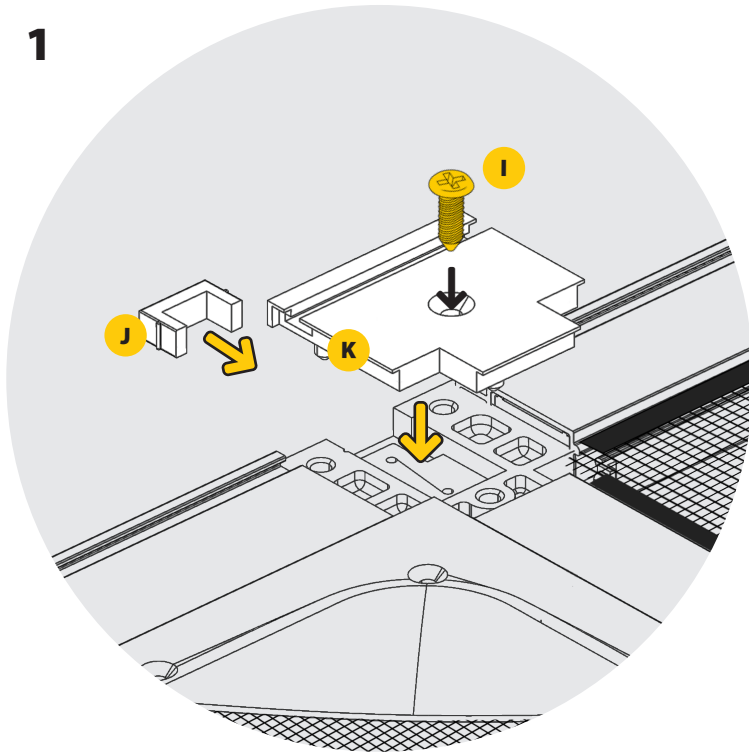
21 OPT 1



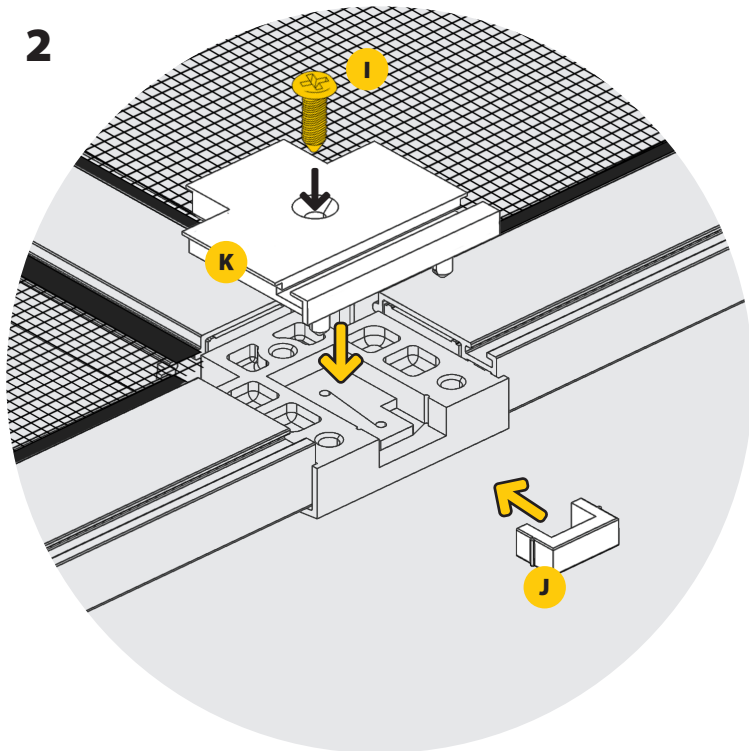
22 OPT 1



1

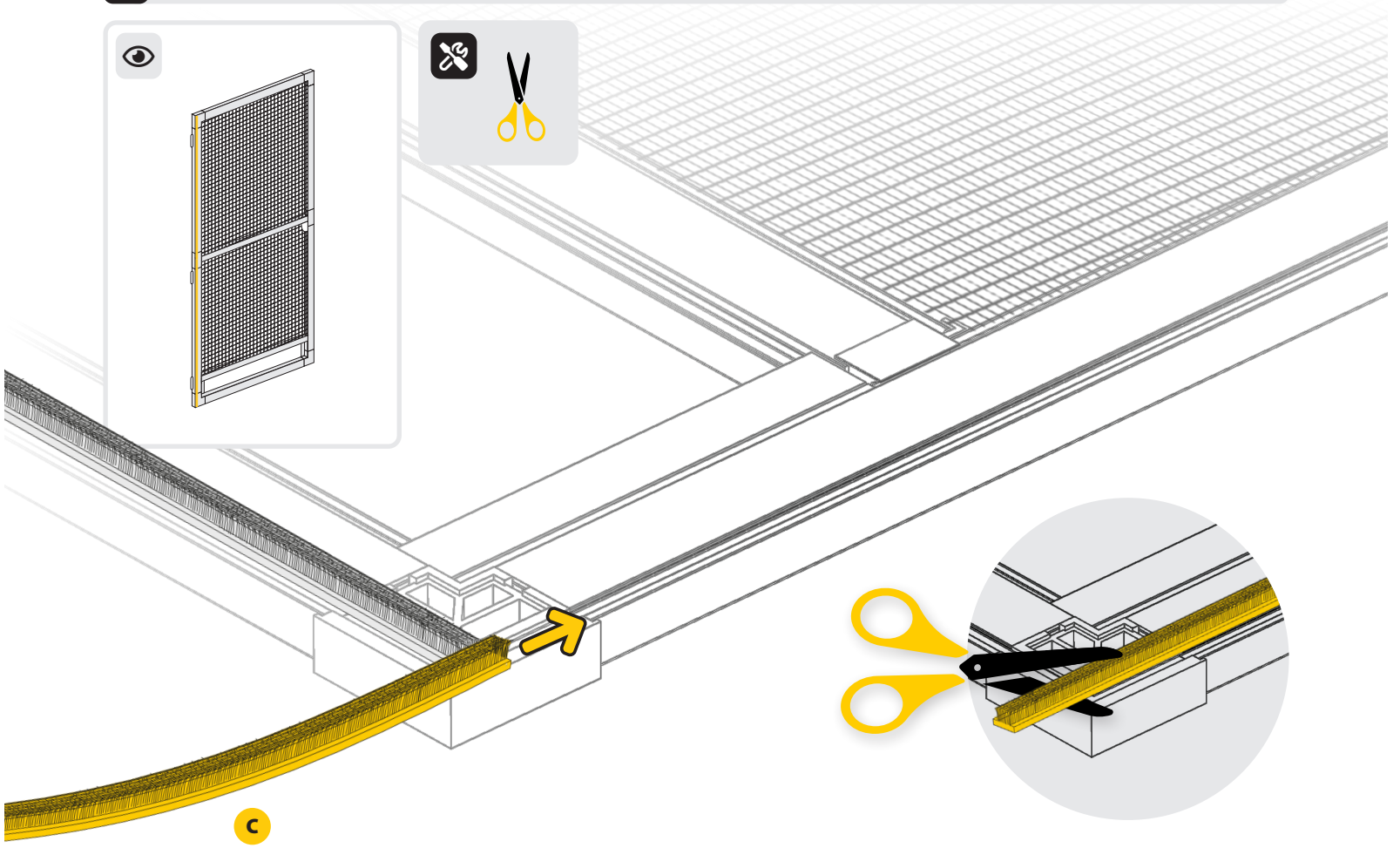
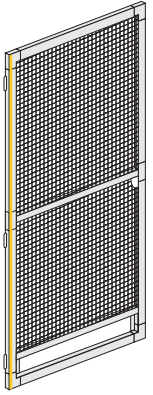


2



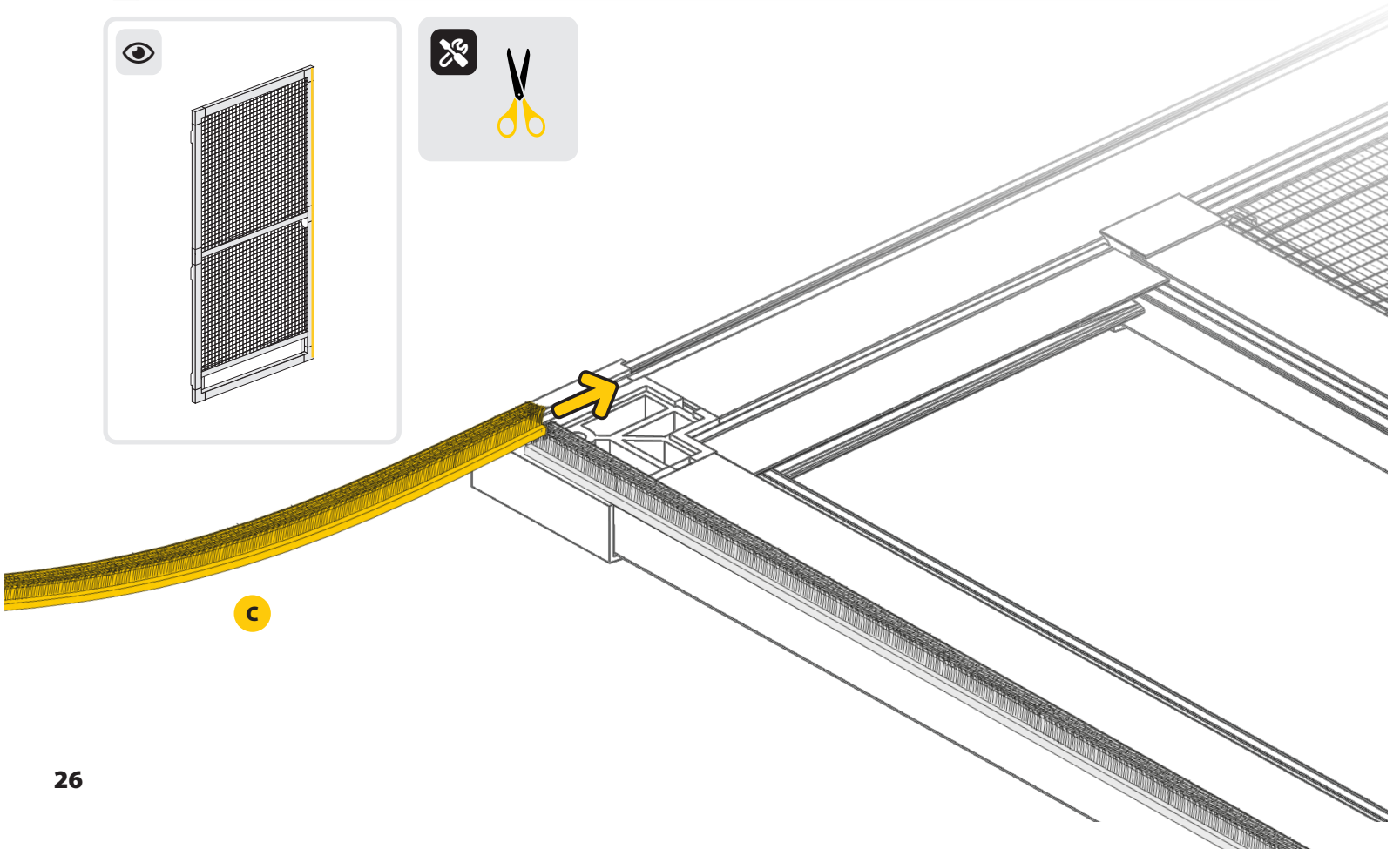
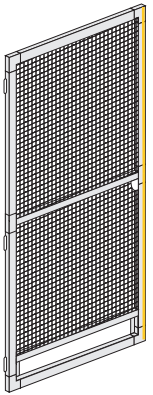


23 OPT 1



C

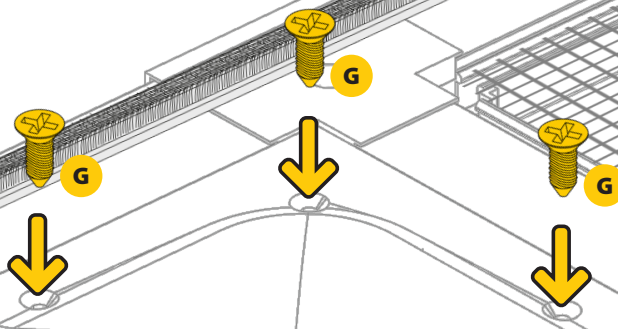
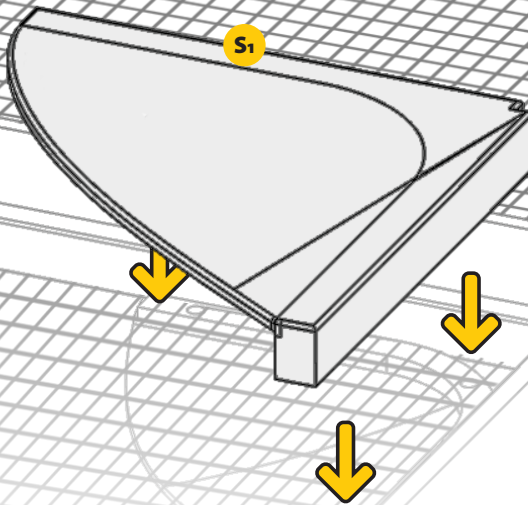
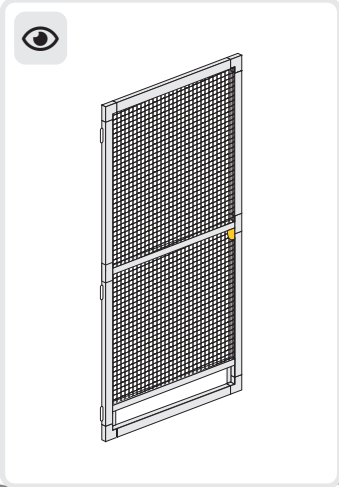
24 OPT 1



C

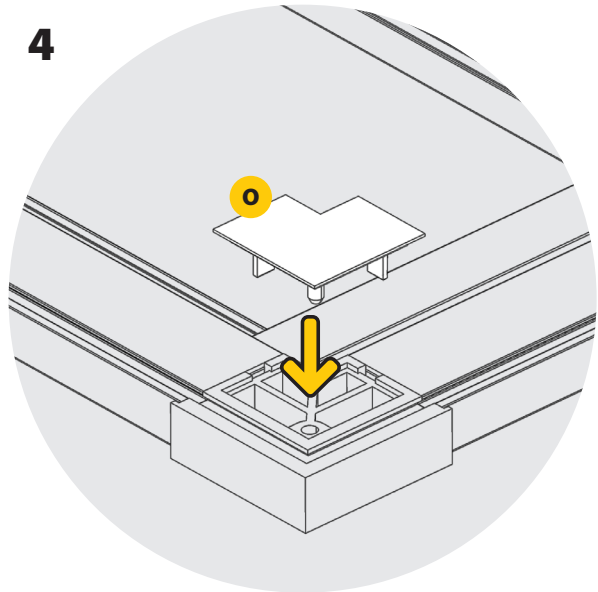
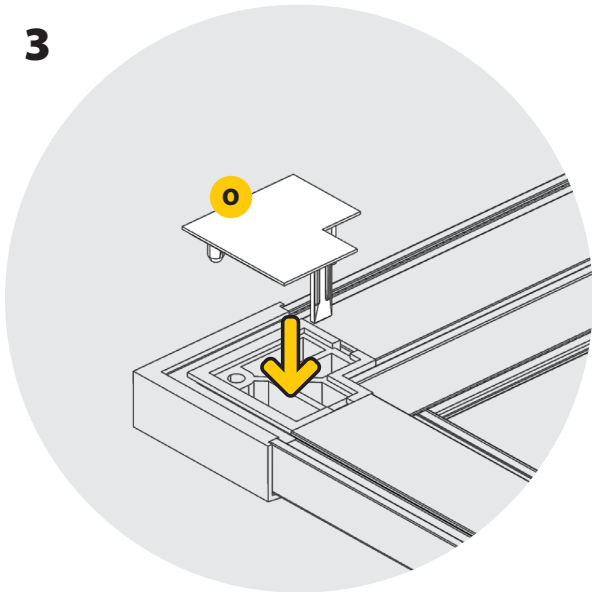
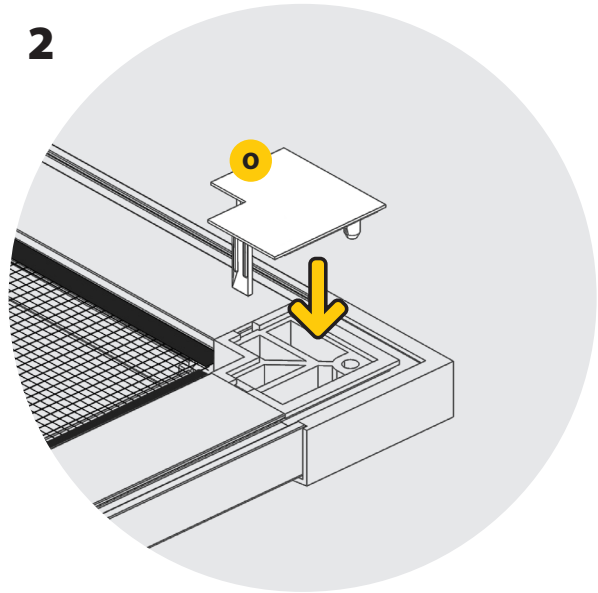
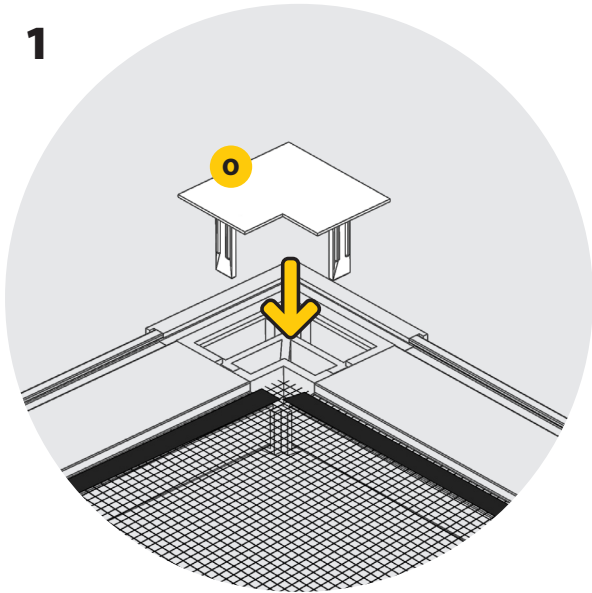
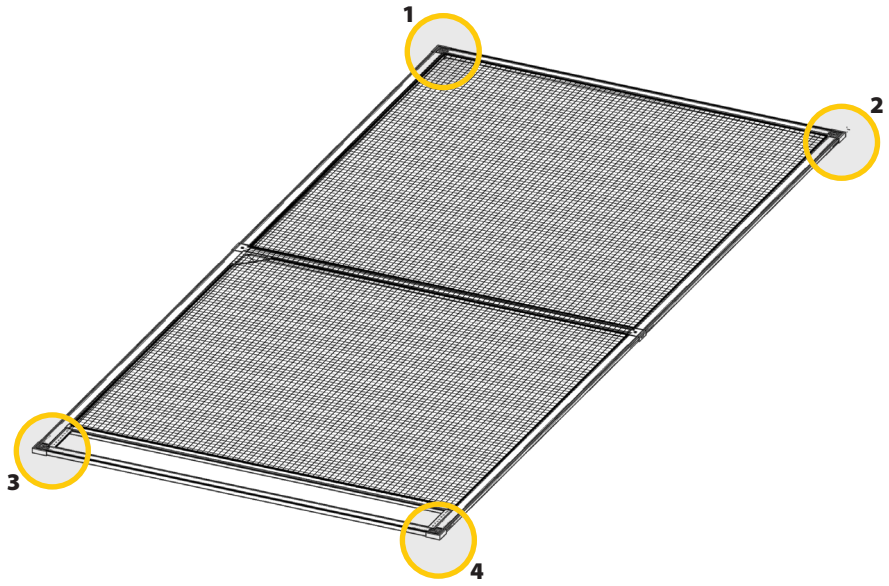
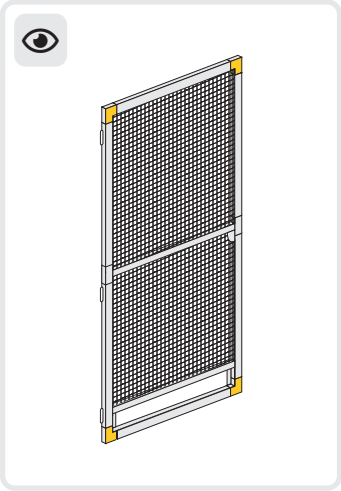


25 OPT 1



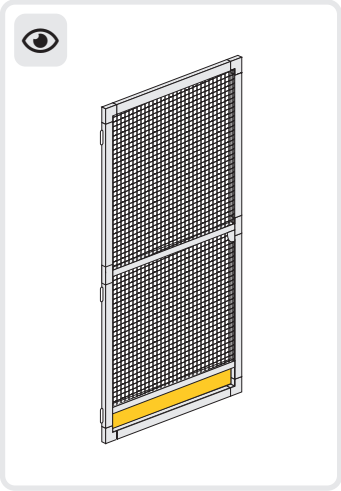


26 OPT 1

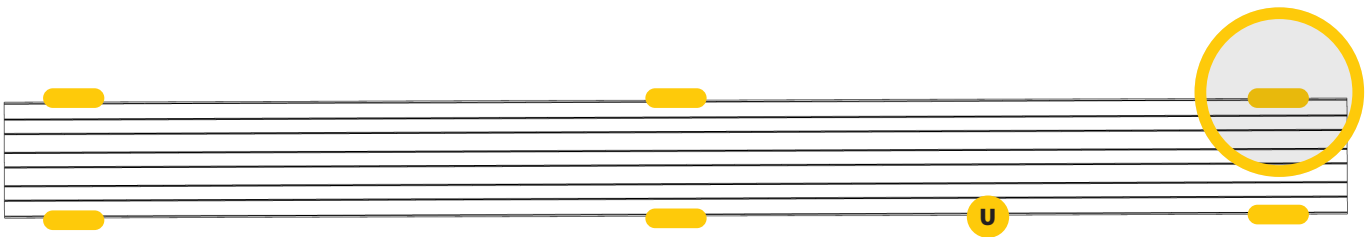
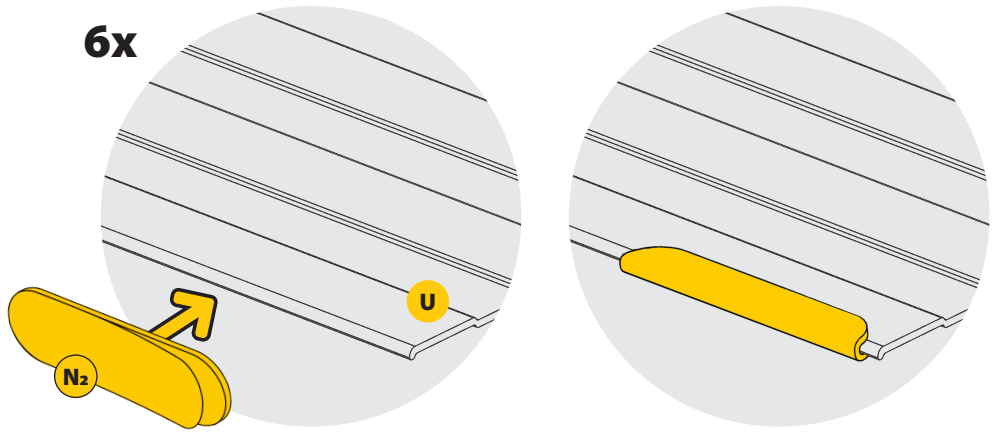




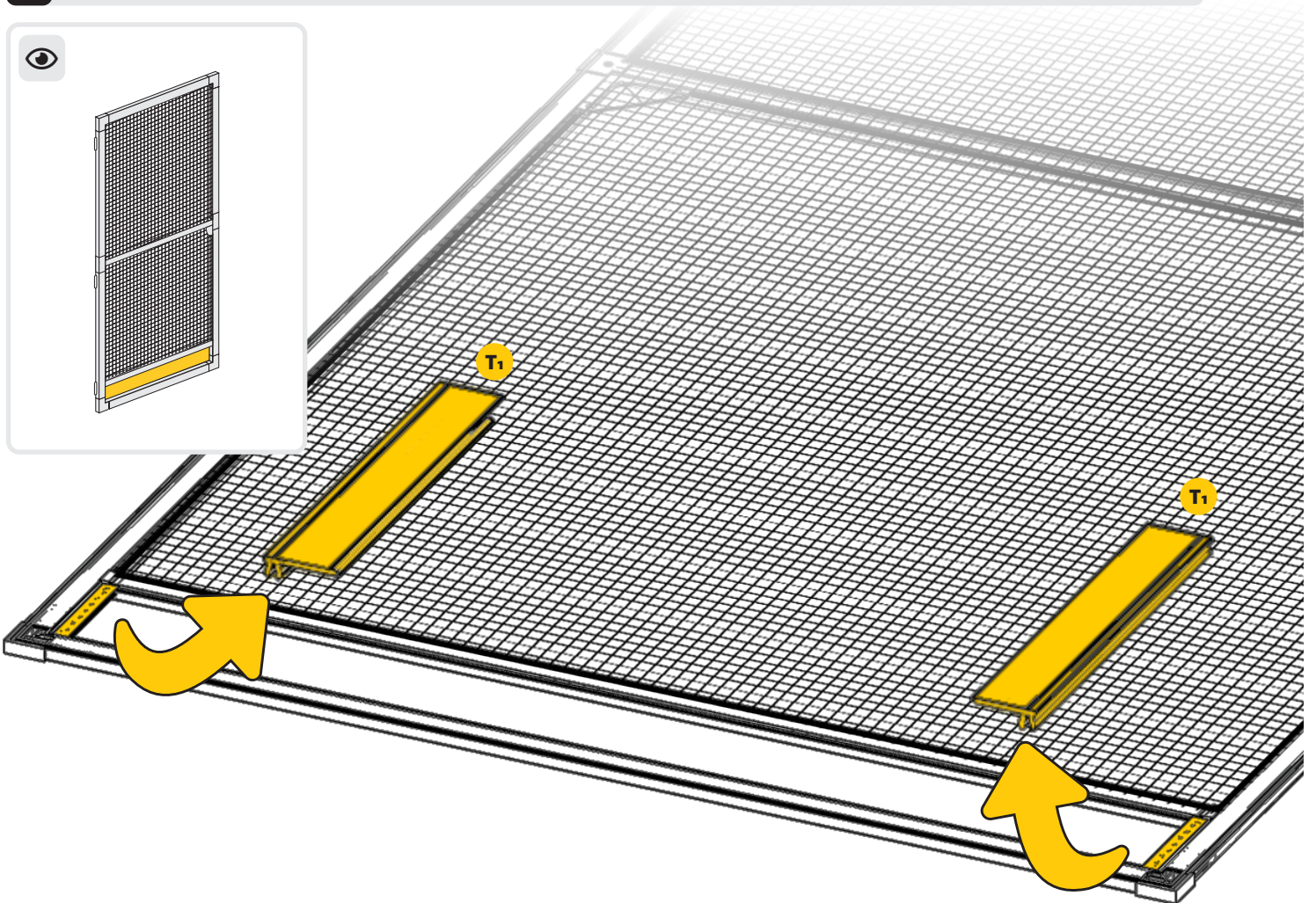
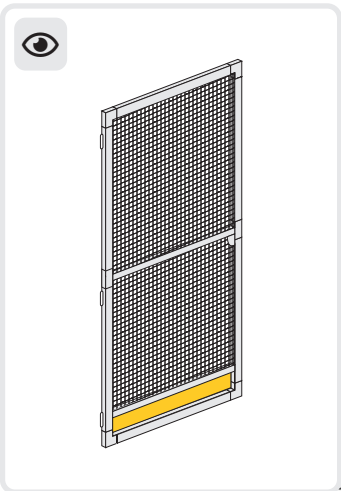
27 OPT 1



6x

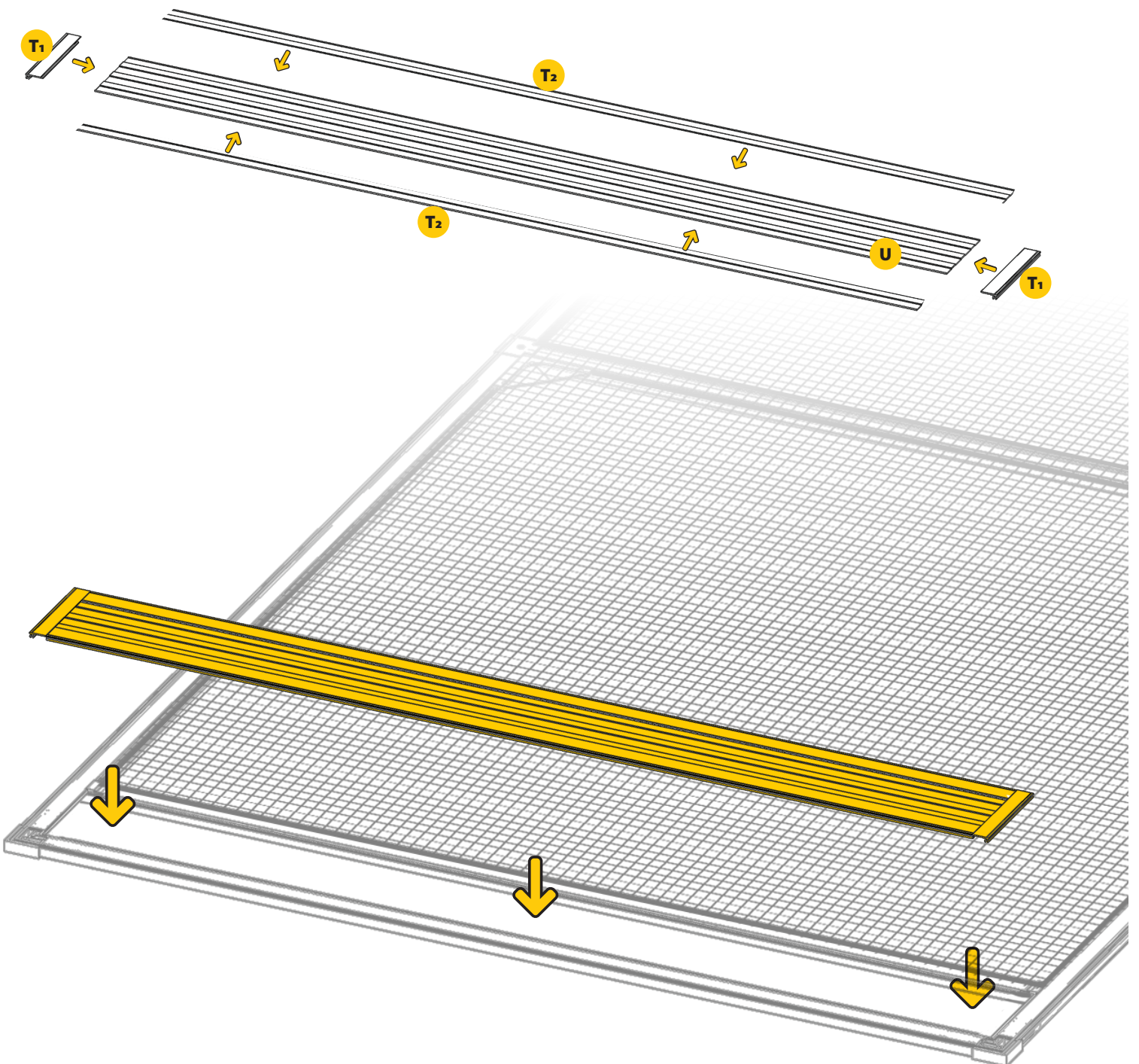
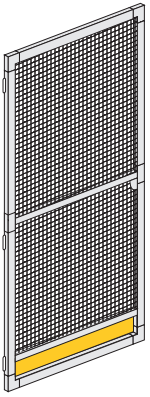


28 OPT 1





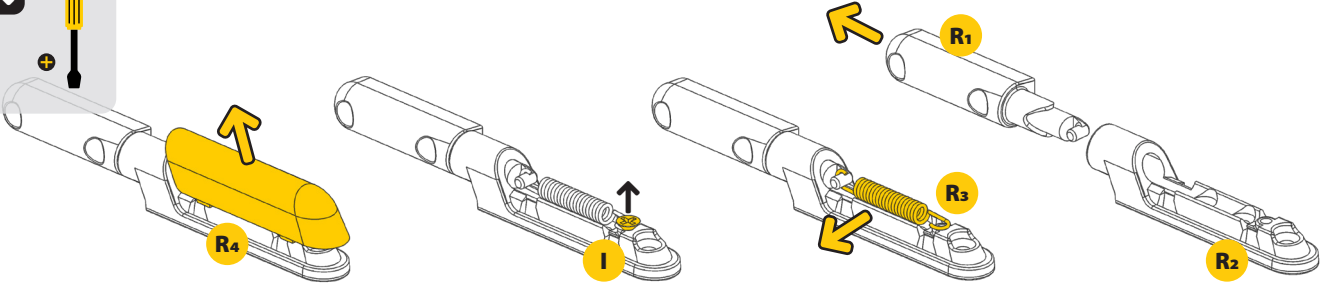
29 OPT 1



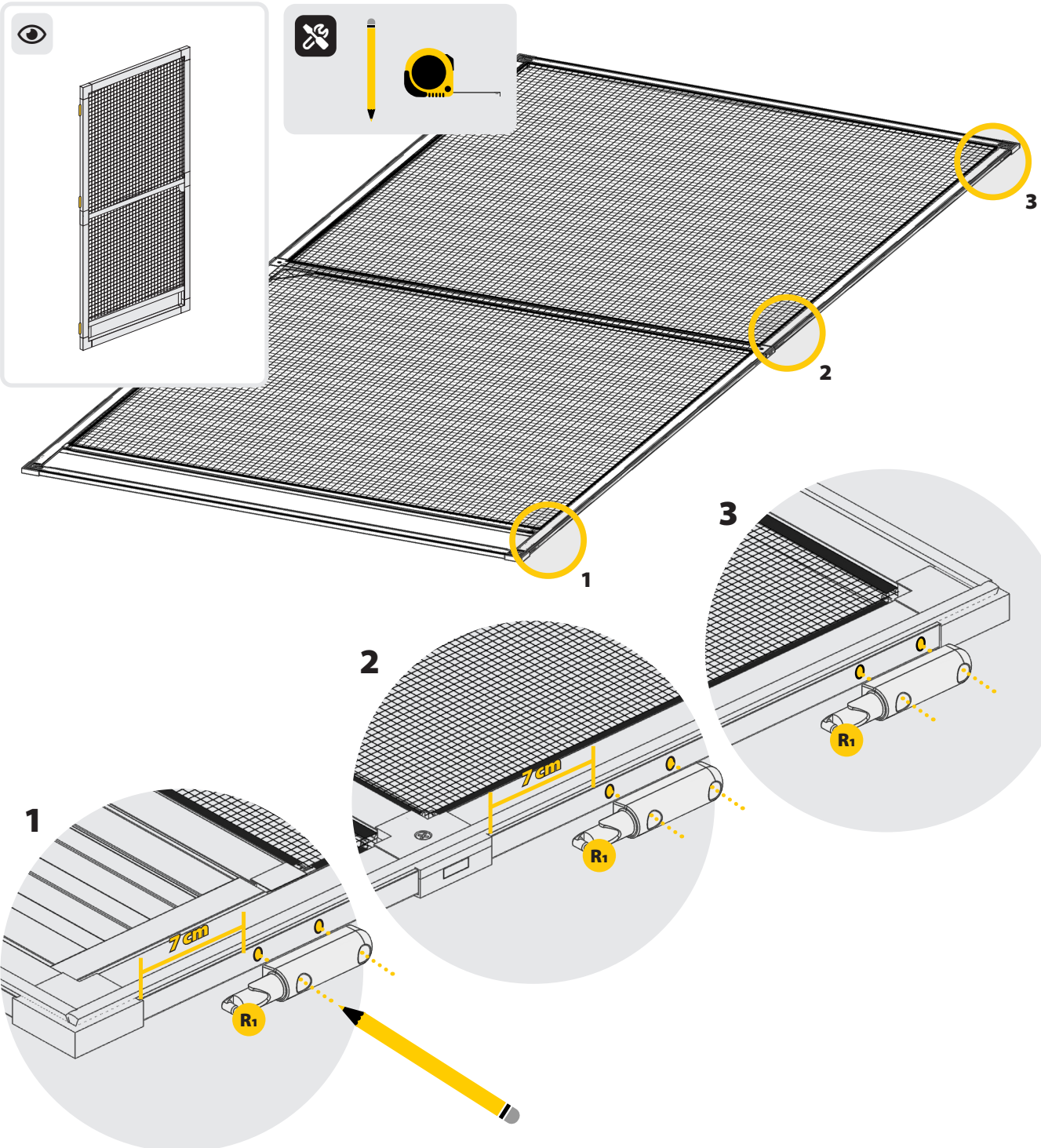
30 OPT 1



3x R

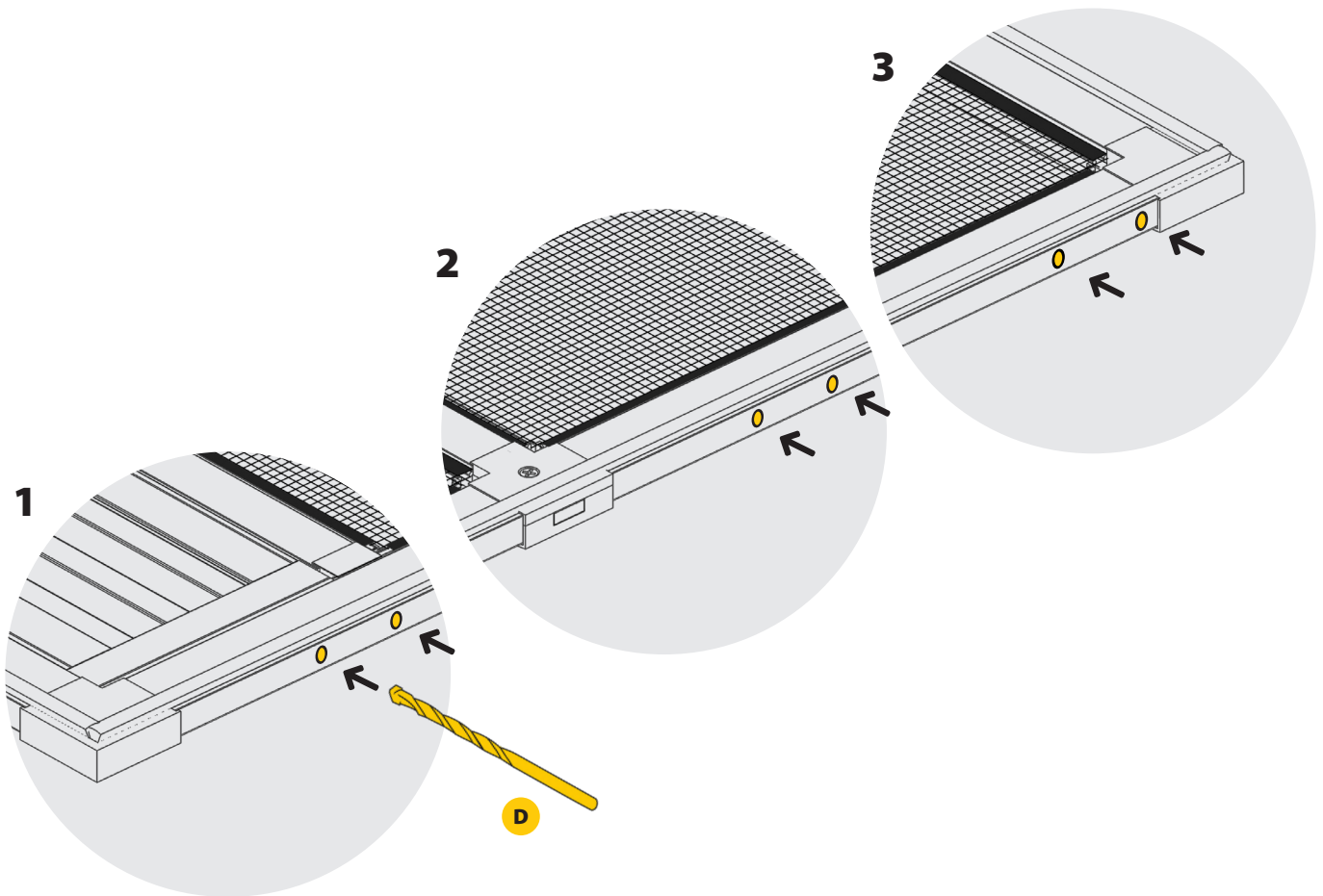
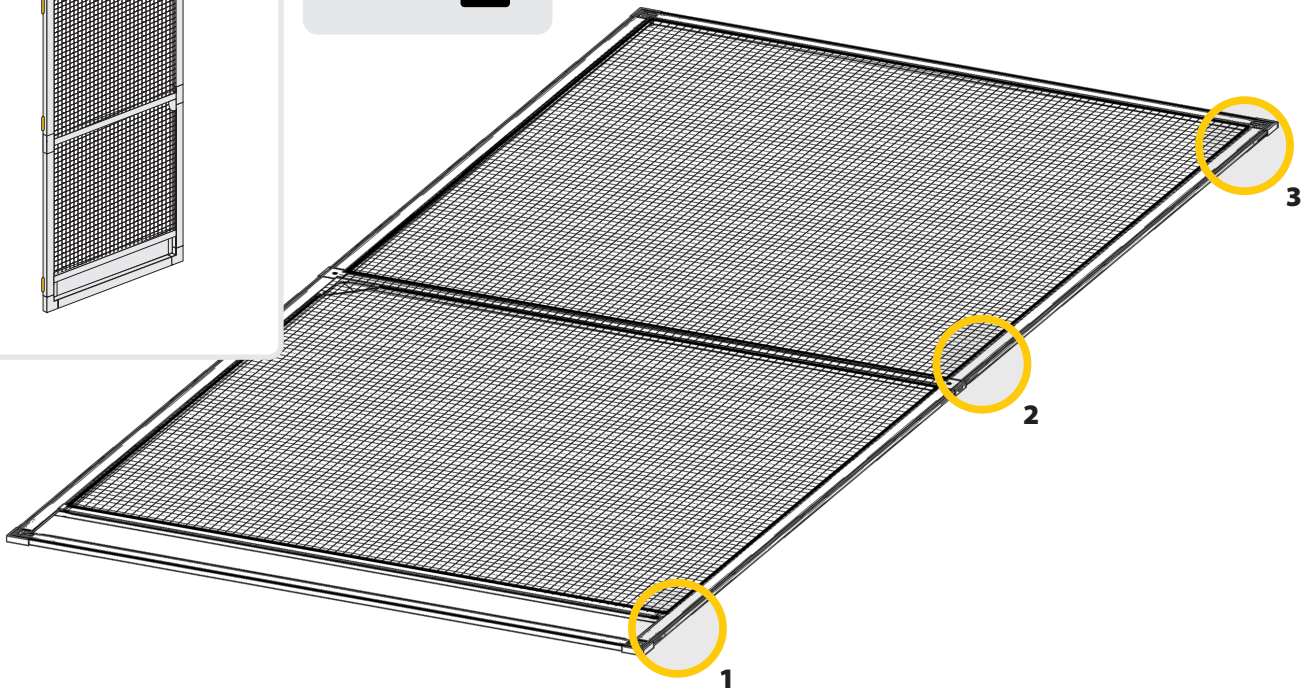
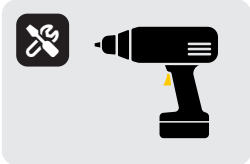


31 OPT 1



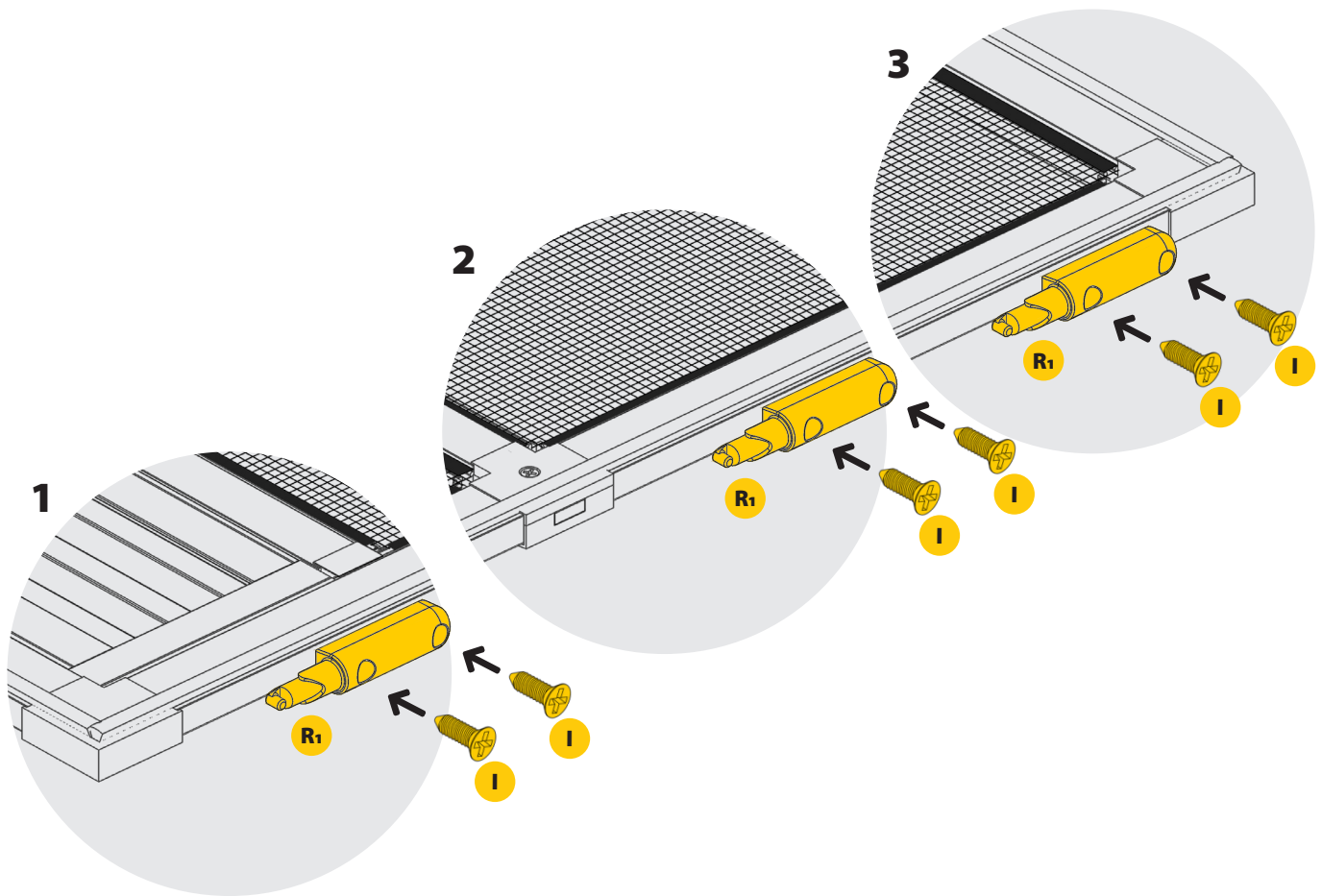
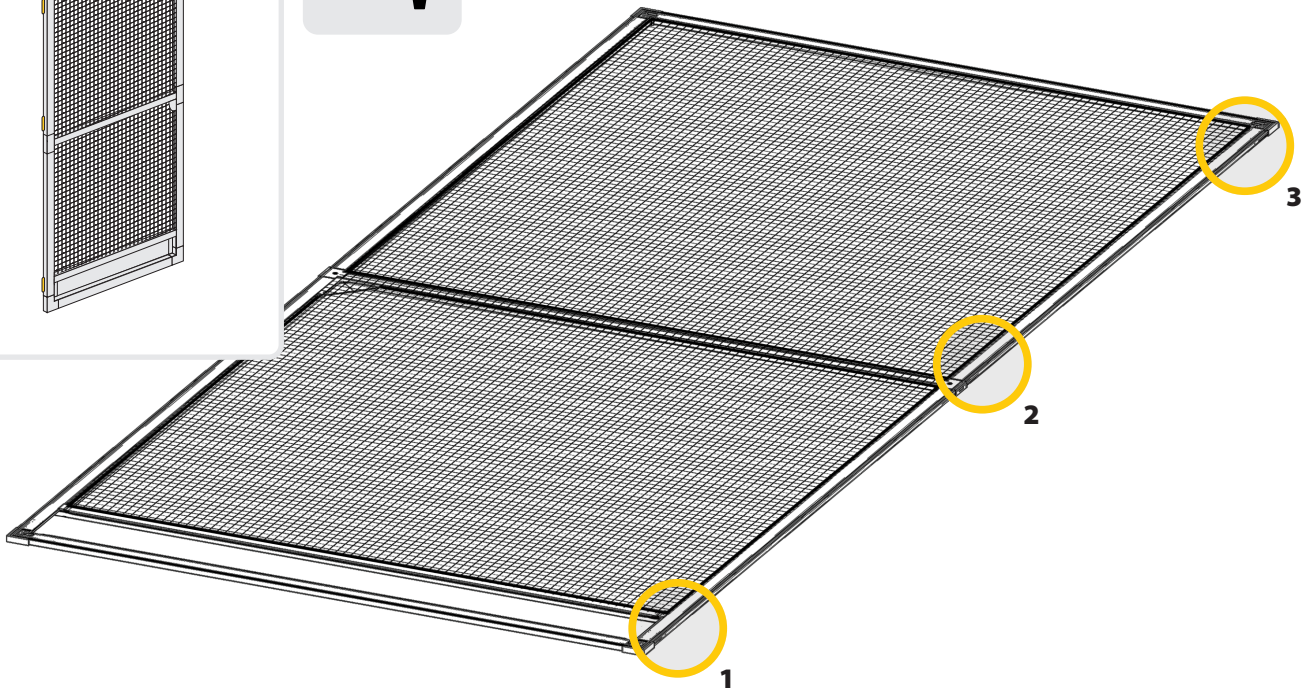
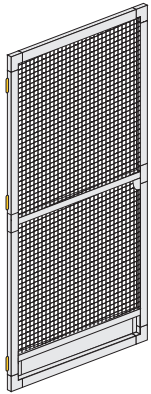


32 OPT 1



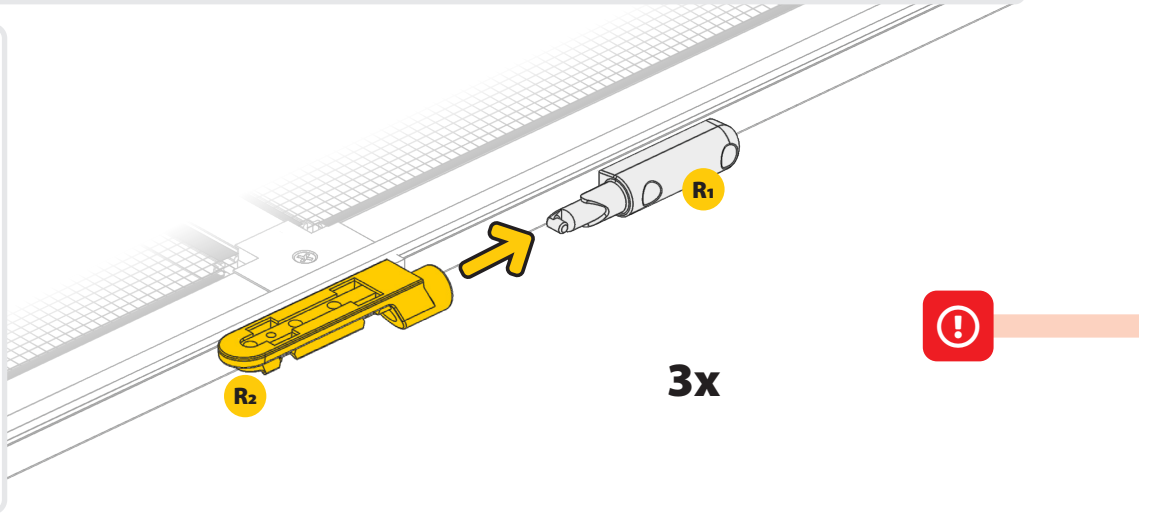
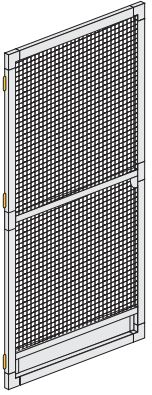


33 OPT 1

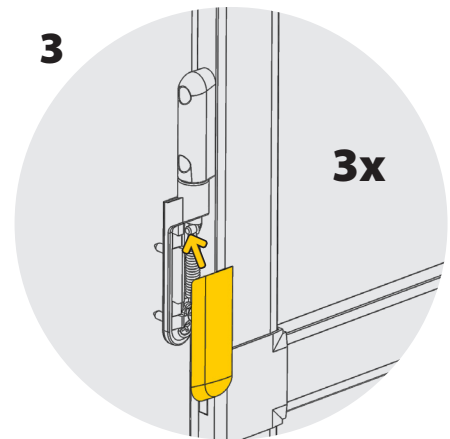
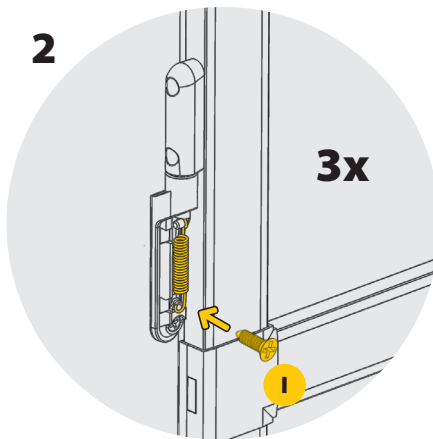
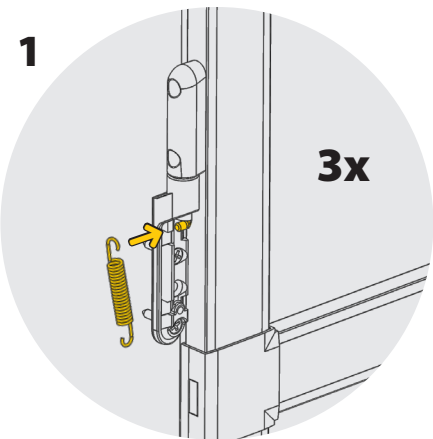




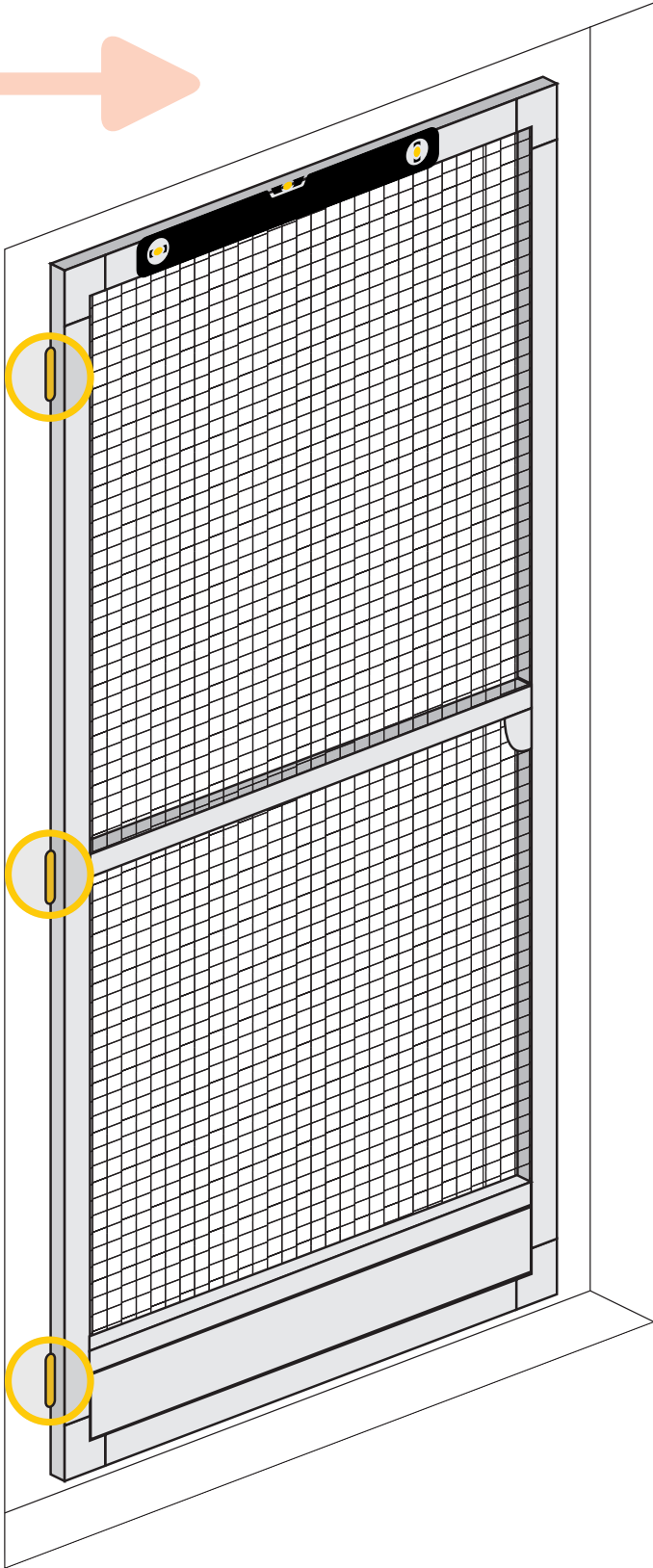
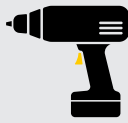
34 OPT 1



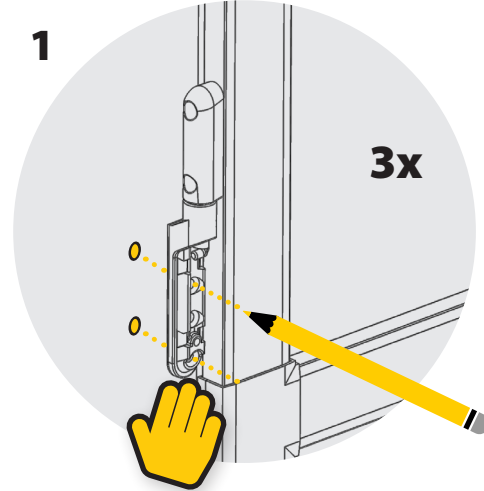
36 OPT 1



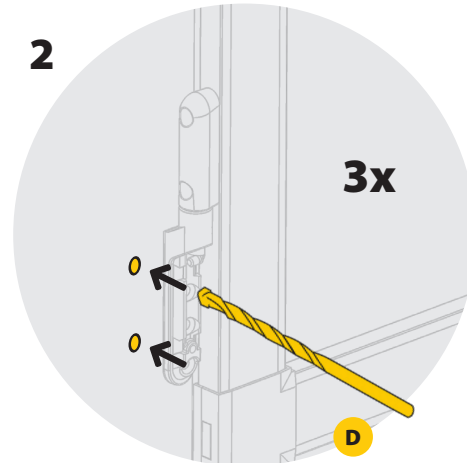
35 OPT 1



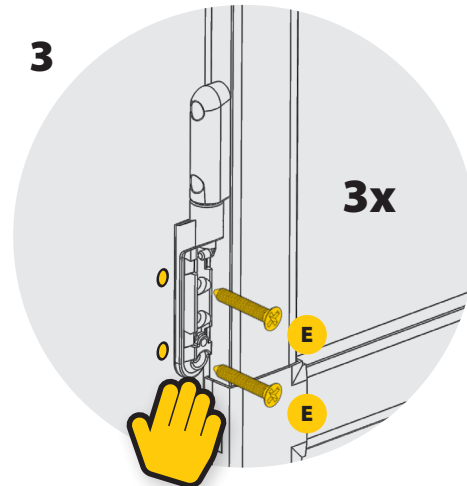
1



2



3

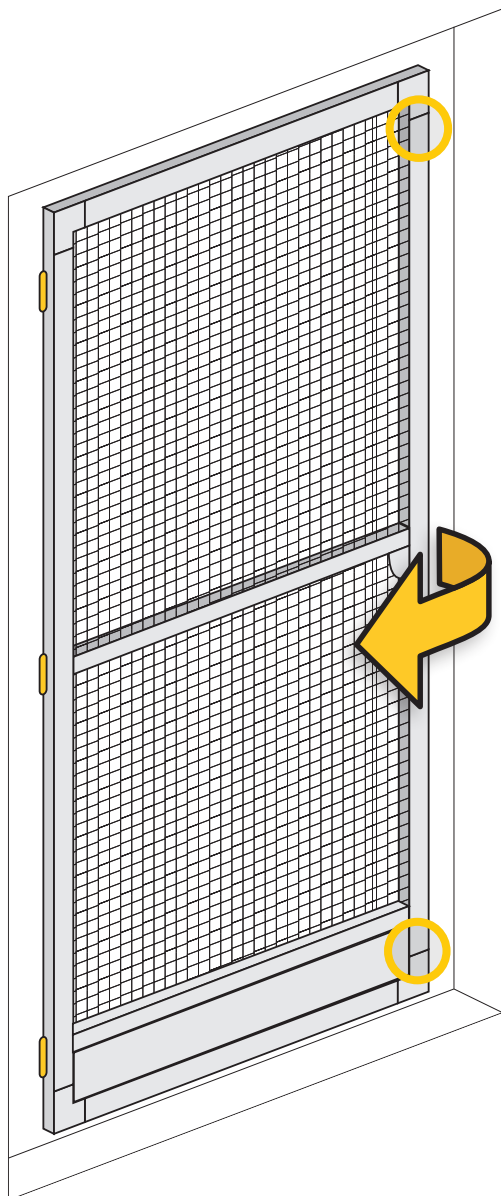


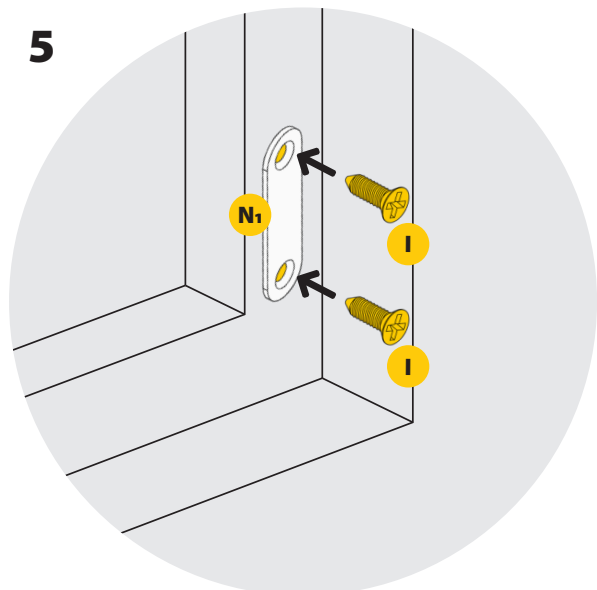
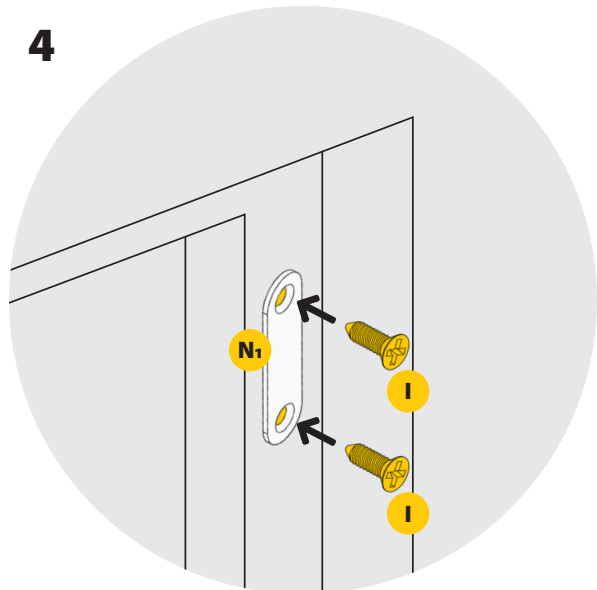
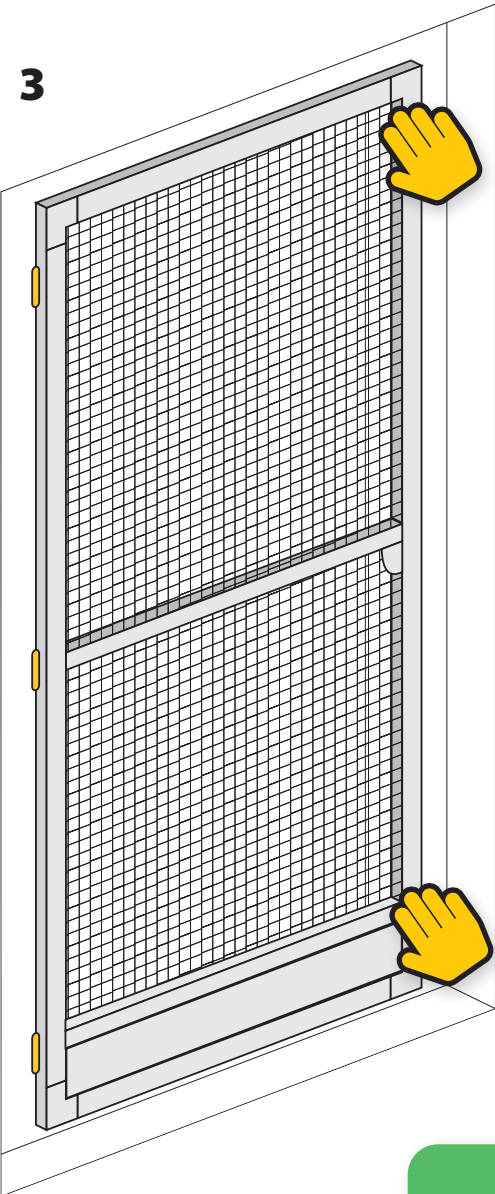
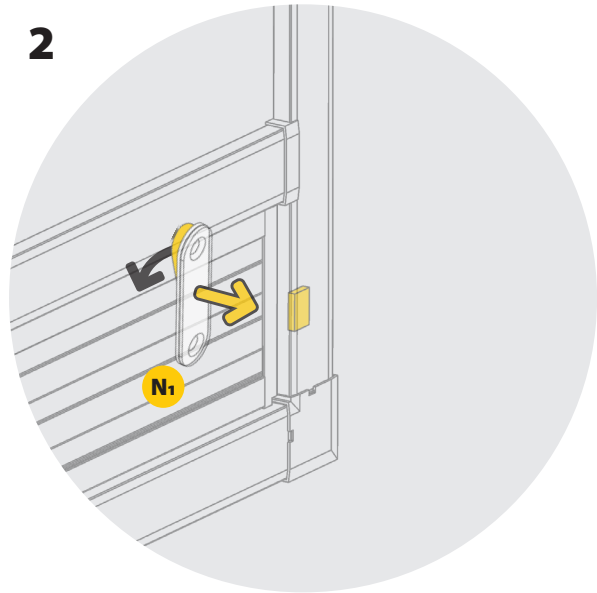
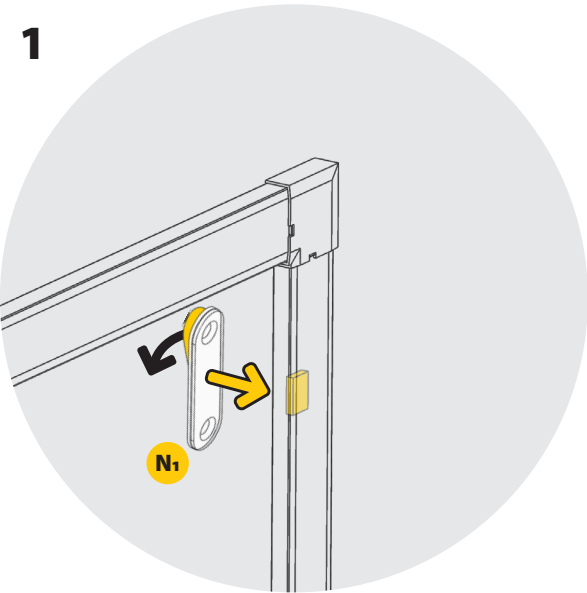


37 OPT 1



38 OPT 1







 [®]
SCHELLENBERG



Service

Mo-Fr 7.30 Uhr - 21.00 Uhr
Sa 8.00 Uhr - 14.00 Uhr
Tel +49 (0) 271 89 0 56 - 444
Fax +49 (0) 271 89 0 56 - 398

Alfred Schellenberg GmbH

An den Weiden 31
D-57078 Siegen
service.int@schellenberg.de
www.schellenberg.de

MA262 / 12.20
Subject to literal and print error as well as technical changes.

