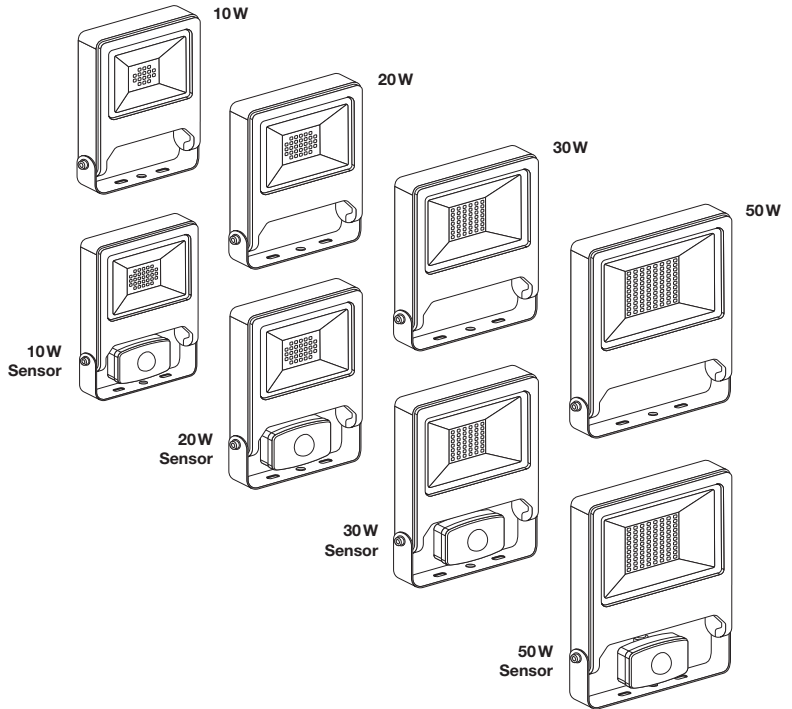
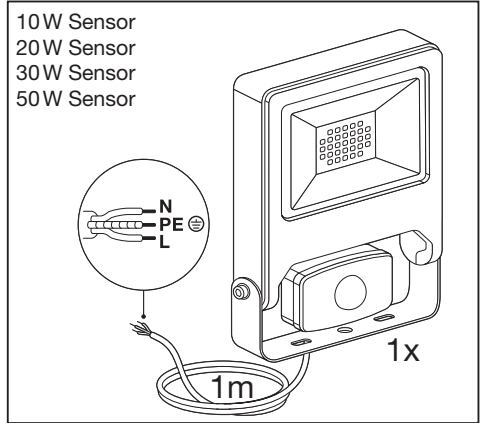
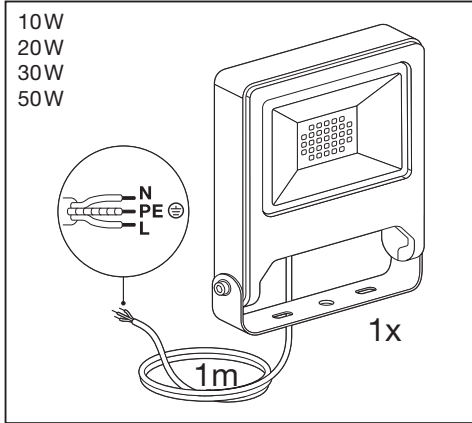


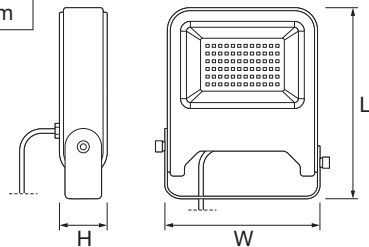
# ENDURA® FLOOD




	EAN	W	lm	K	°(°C)	V~	mA	Hz	PF
ENDURA® FLOOD 10W 830 DG	4058075237926	10	800	3000	-20...+45	220-240	46	50/60	≥0.9
ENDURA® FLOOD 20W 830 DG	4058075237940	20	1700	3000	-20...+45	220-240	92	50/60	≥0.9
ENDURA® FLOOD 30W 830 DG	4058075237964	30	2700	3000	-20...+45	220-240	145	50/60	≥0.9
ENDURA® FLOOD 50W 830 DG	4058075239340	50	4500	3000	-20...+45	220-240	220	50/60	≥0.9
ENDURA® FLOOD SENSOR 10W 830 DG	4058075292154	10	800	3000	-10...+40	220-240	46	50/60	≥0.7
ENDURA® FLOOD SENSOR 20W 830 DG	4058075239500	20	1700	3000	-10...+40	220-240	92	50/60	≥0.9
ENDURA® FLOOD SENSOR 30W 830 DG	4058075239548	30	2700	3000	-10...+40	220-240	145	50/60	≥0.9
ENDURA® FLOOD SENSOR 50W 830 DG	4058075239593	50	4500	3000	-10...+40	220-240	220	50/60	≥0.9

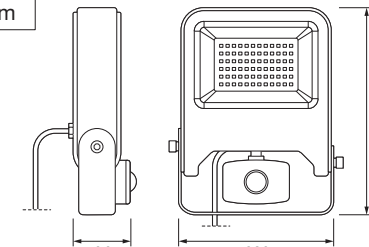



mm

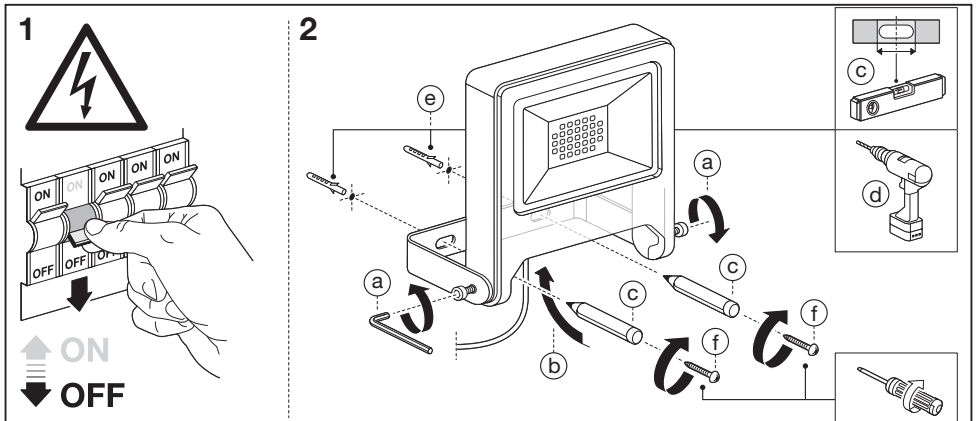


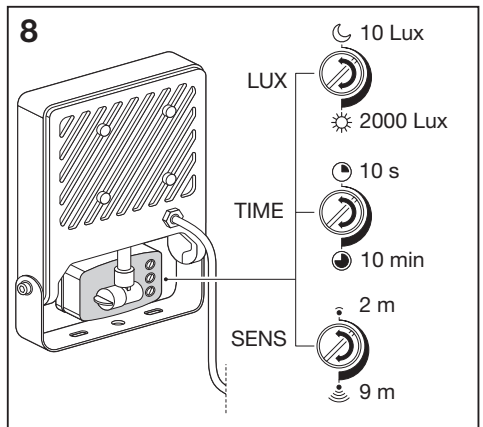
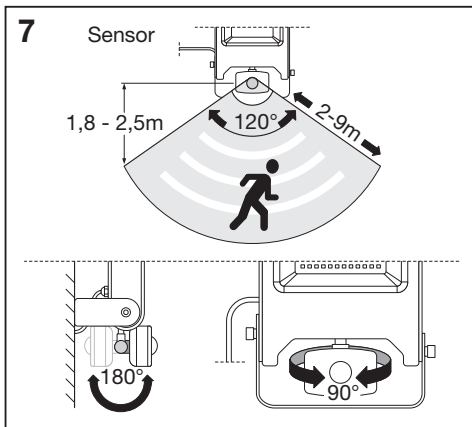
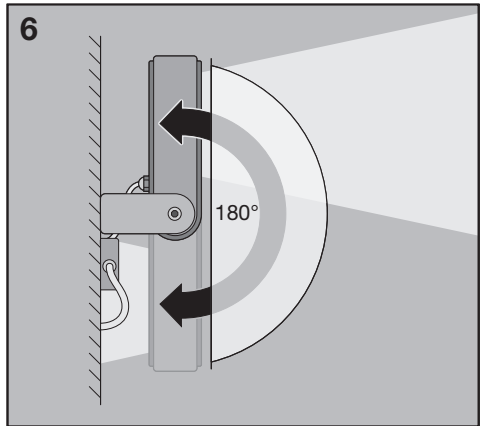
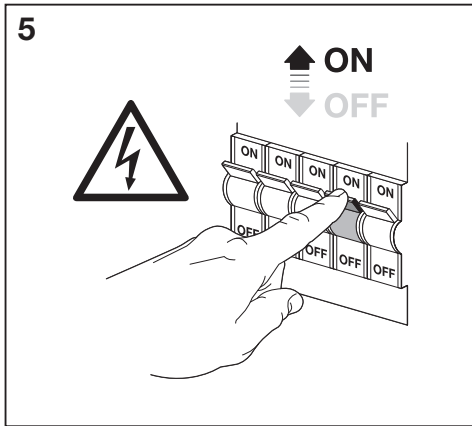
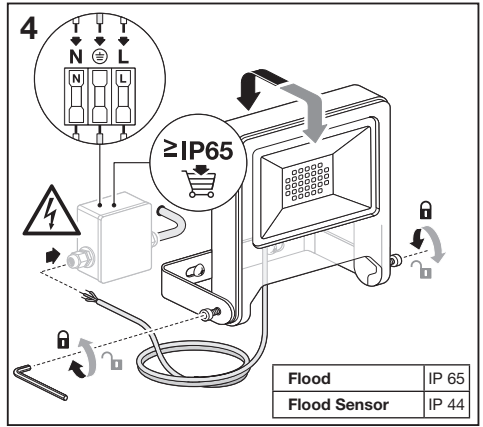
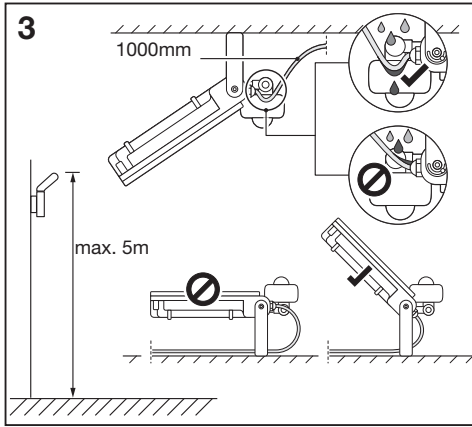
	L	W	H	
<b>Flood 10W</b>	122	108	33	280g
<b>Flood 20W</b>	153	133	34	405g
<b>Flood 30W</b>	193	170	39	650g
<b>Flood 50W</b>	245	210	43	1070g

mm



	L	W	H	
<b>Flood 10W Sensor</b>	168	108	63	380g
<b>Flood 20W Sensor</b>	189	133	66	490g
<b>Flood 30W Sensor</b>	223	170	66	720g
<b>Flood 50W Sensor</b>	267	210	70	1150g







LEDVANCE GmbH  
Steinerne Furt 62  
86167 Augsburg, Germany  
[www.ledvance.com](http://www.ledvance.com)