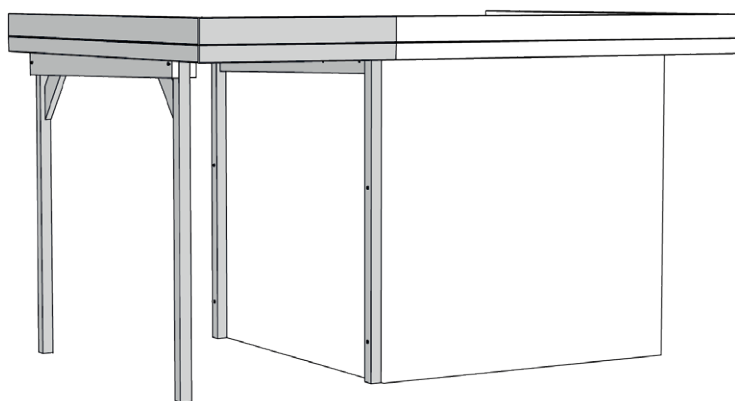




www.weka-holzbau.com

## Seitlicher Dachanbau

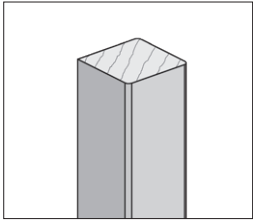
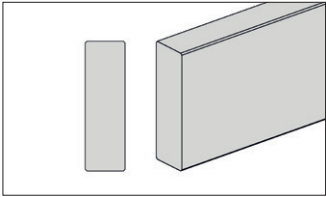
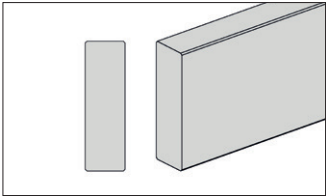
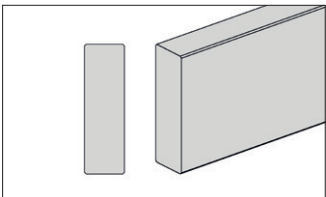
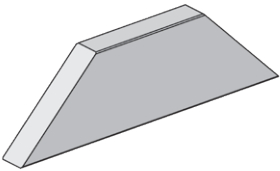
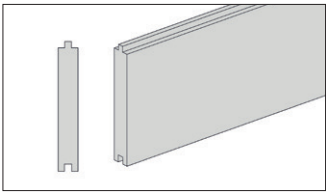
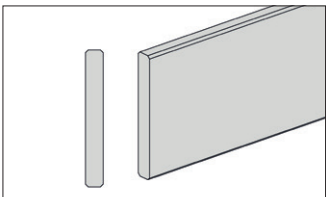


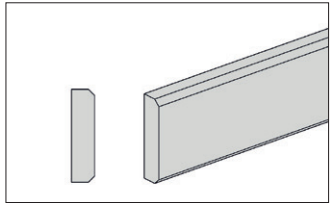
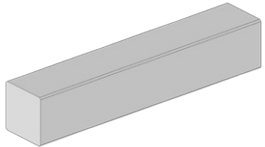
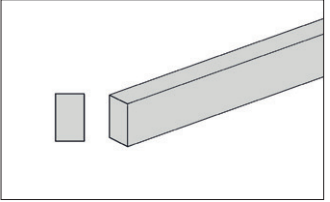
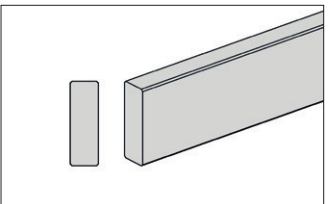
100.2824.40010  
100.2824.41010

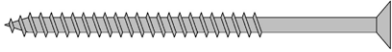








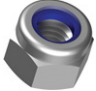



100.2830.40010  
100.2830.41010

## Montage-, Bedienungs- und Wartungsanleitung

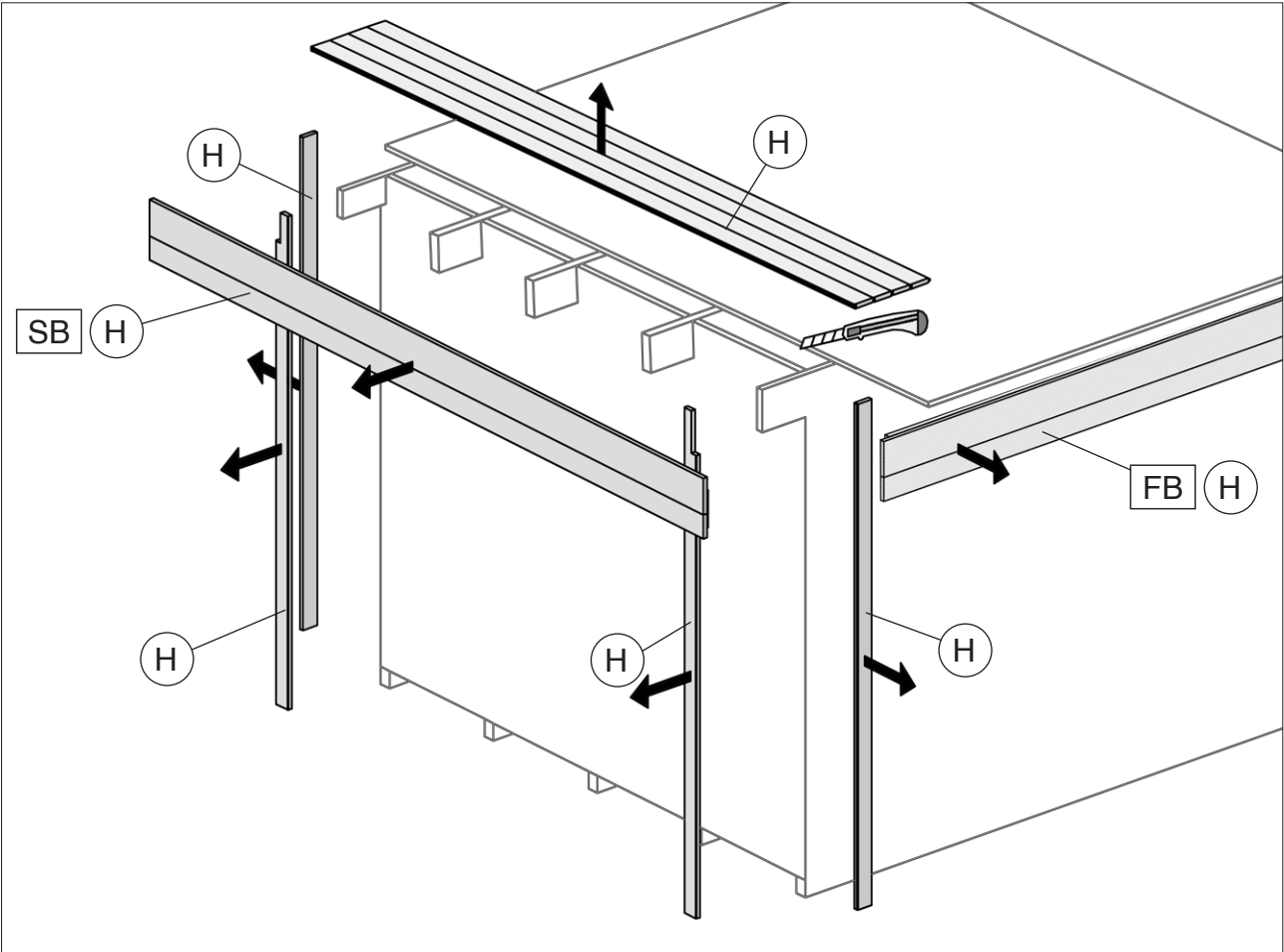


| Pos | Bild  | Abmessung<br>( mm )            | Anzahl ( Stück ) |                |
|-----|---|--------------------------------|------------------|----------------|
|     |   |                                | 100.2824.4x010   | 100.2830.4x010 |
| ①   |    | 80/80/2500                     | 4                | 4              |
| ②   |    | 45/146/2350<br>45/146/2950     | 1<br>-           | -<br>1         |
| ③   |   | 45/146/2350<br>45/146/2950     | 2<br>-           | -<br>2         |
| ④   |  | 45/146/1750                    | 5                | 5              |
| ⑤   |  | 45/146/500                     | 2                | 2              |
| ⑥   |  | 18,5/121/3080<br>18,5/121/3710 | 14<br>-          | -<br>14        |
| ⑦   |  | 18,5/146/2050                  | 1                | 1              |

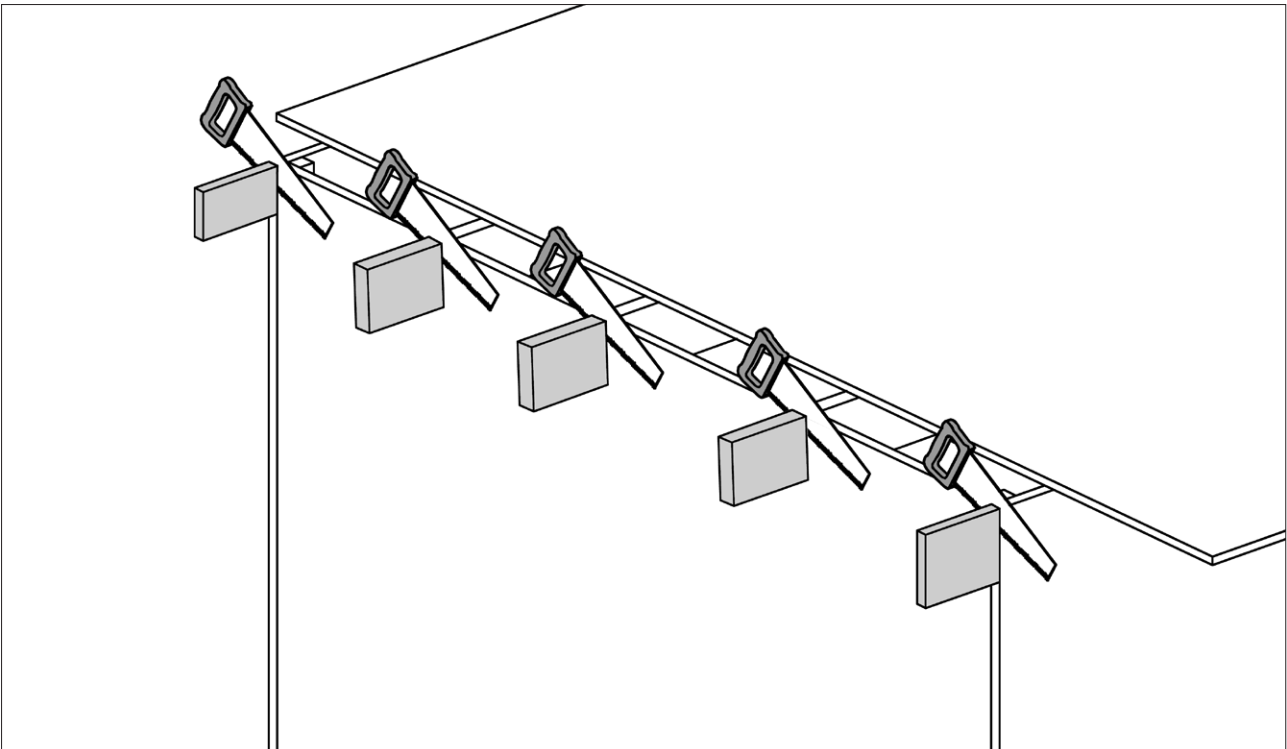
| Pos | Bild  | Abmessung<br>( mm ) | Anzahl ( Stück ) |                |
|-----|---|---------------------|------------------|----------------|
|     |   |                     | 100.2824.4x010   | 100.2830.4x010 |
| 8   |    | 18,5/96/1850        | 1                | 1              |
| 9   |    | 28/28/150           | 4                | 4              |
| 10  |   | 15/25/2000          | 1                | 1              |
| 11  |  | 15/45/2300          | 2                | 2              |

| Pos | Bild  | Abmessung<br>( mm ) | Anzahl<br>( Stück ) |
|-----|---|---------------------|---------------------|
| M1  | K001.8050.0004<br>   | 5,0 x 80            | 4                   |
| M2  | K001.3035.0004<br>   | 3,5 x 30            | 30                  |
| M3  | K002.2050.0004<br>   | 5,0 x 20            | 100                 |
| M4  | K031.5050.0001<br>   | 50/50/40            | 12                  |
| M5  | K008.9008.0001<br>   | M8 x 90             | 5                   |
| M6  | K008.1208.0001<br>  | M8 x 120            | 6                   |
| M7  | K008.1408.0001<br> | M8 x 140            | 4                   |
| M8  | K008.1808.0001<br> | M8 x 180            | 4                   |
| M9  | K020.8400.0001<br> | 8,4                 | 38                  |
| M10 | K024.0800.0001<br> | M8                  | 19                  |
| M11 | K010.5022.0001<br> | 2,2 x 55            | 350                 |
| -   | -   | -                   | -                   |
| M13 | K001.4040.0004<br> | 4,0 x 40            | 50                  |
| M14 | K001.1250.0004<br> | 5,0 x 120           | 4                   |

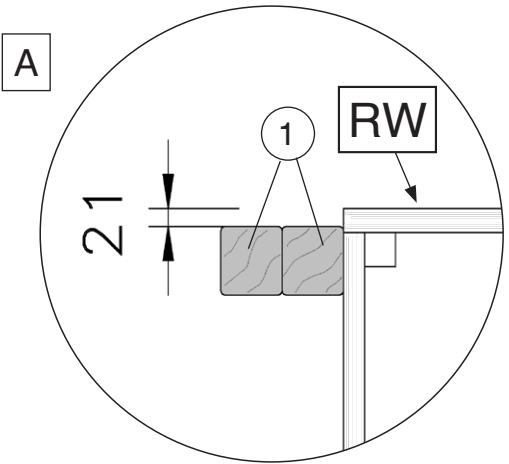
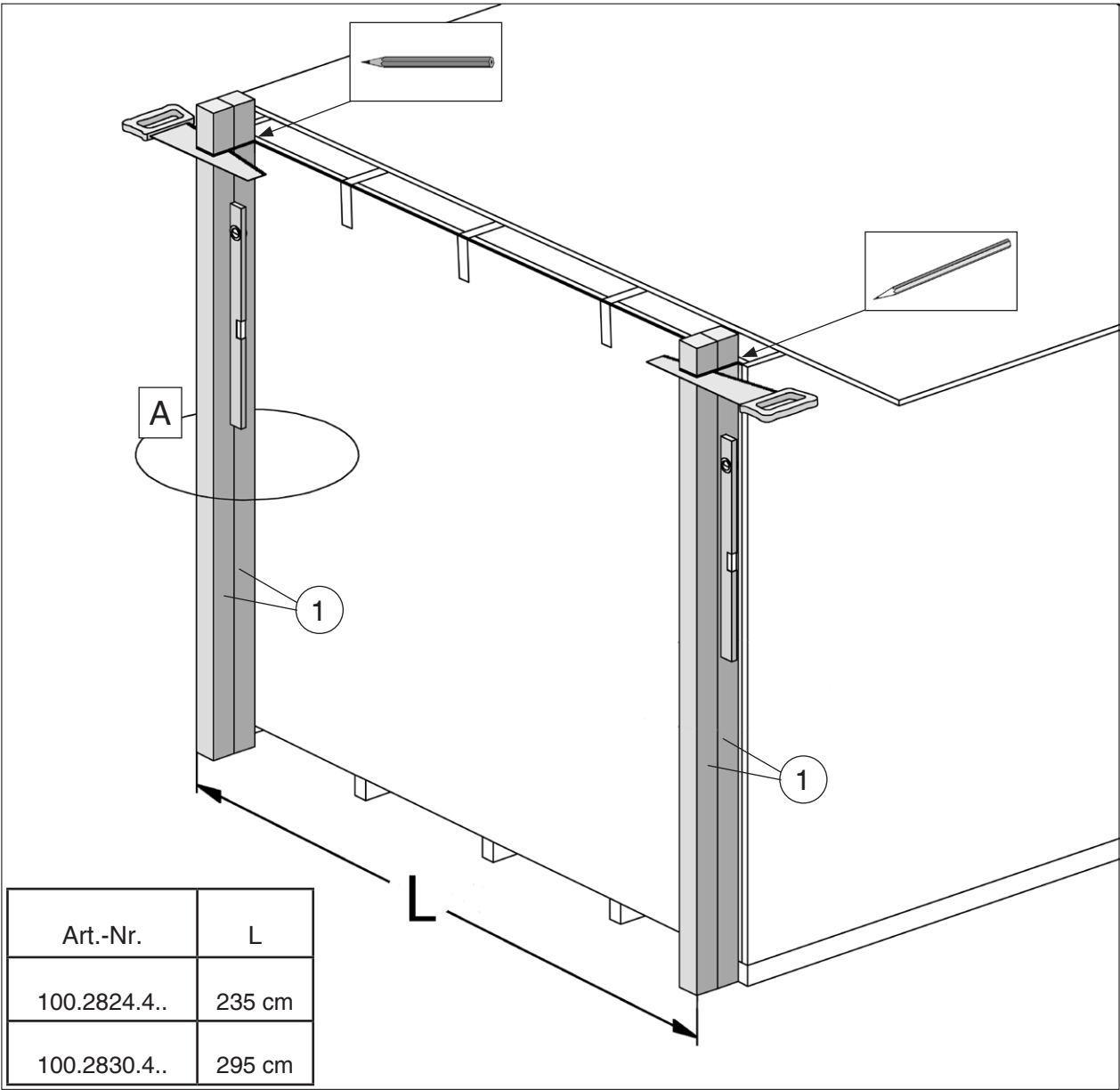
1



2

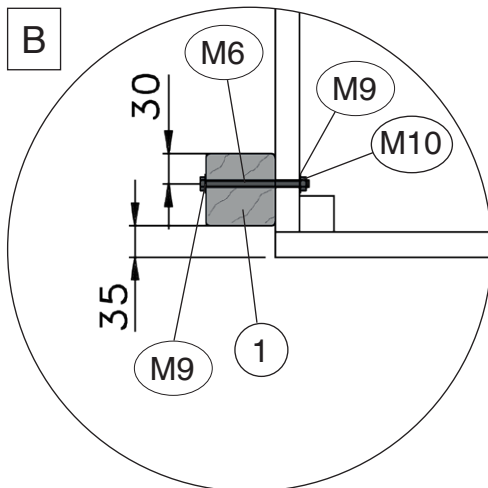
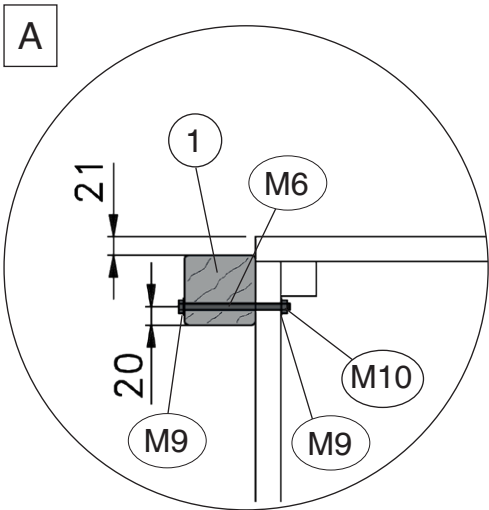
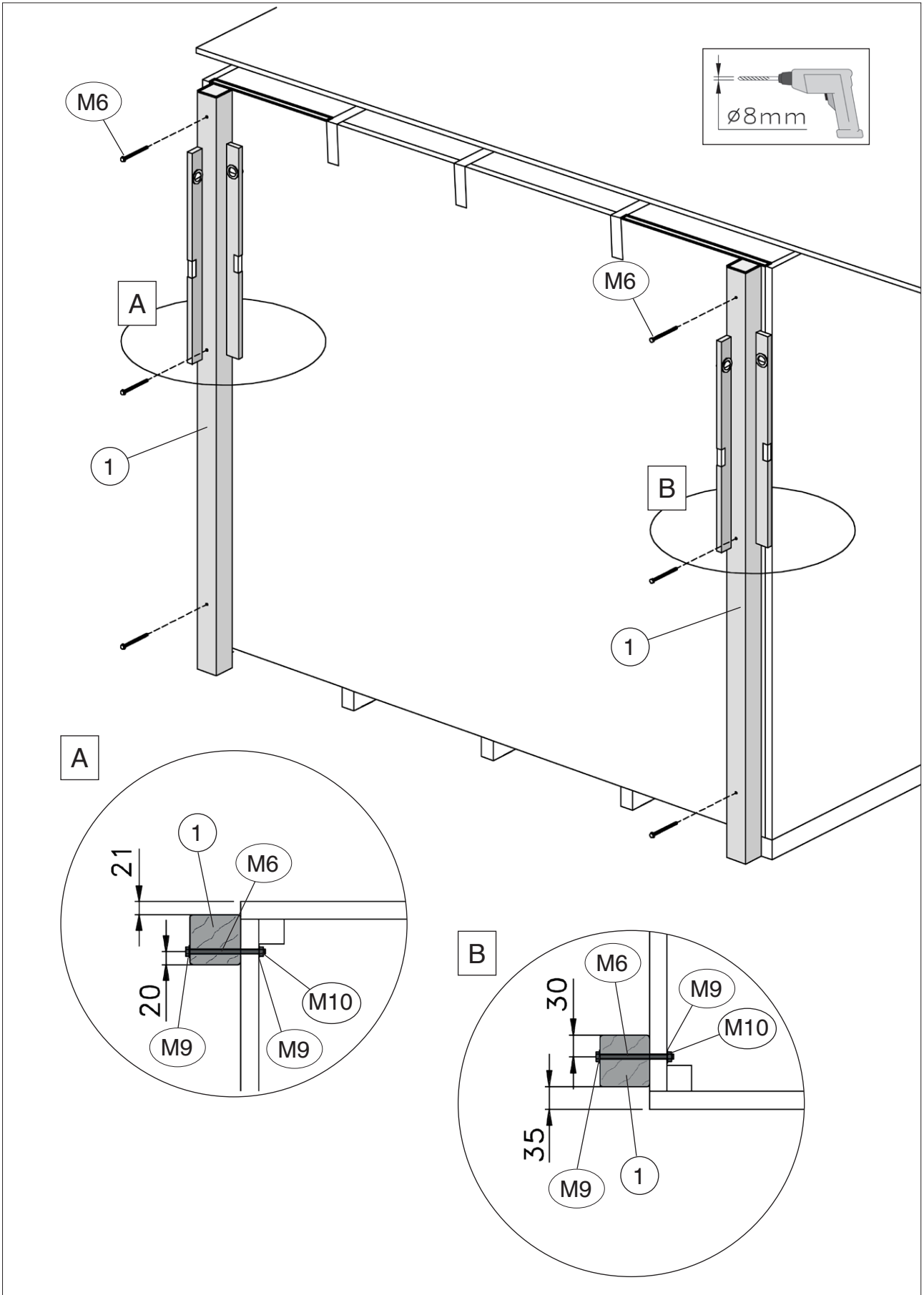


3




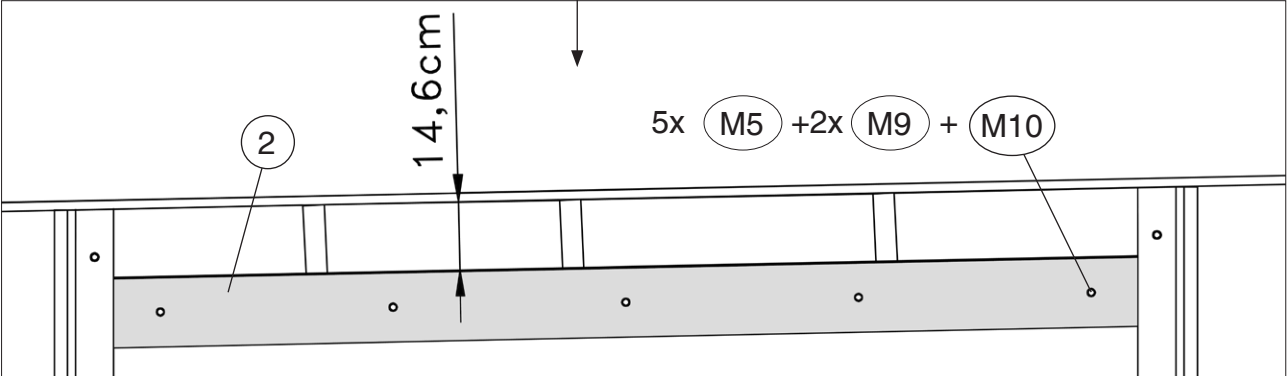
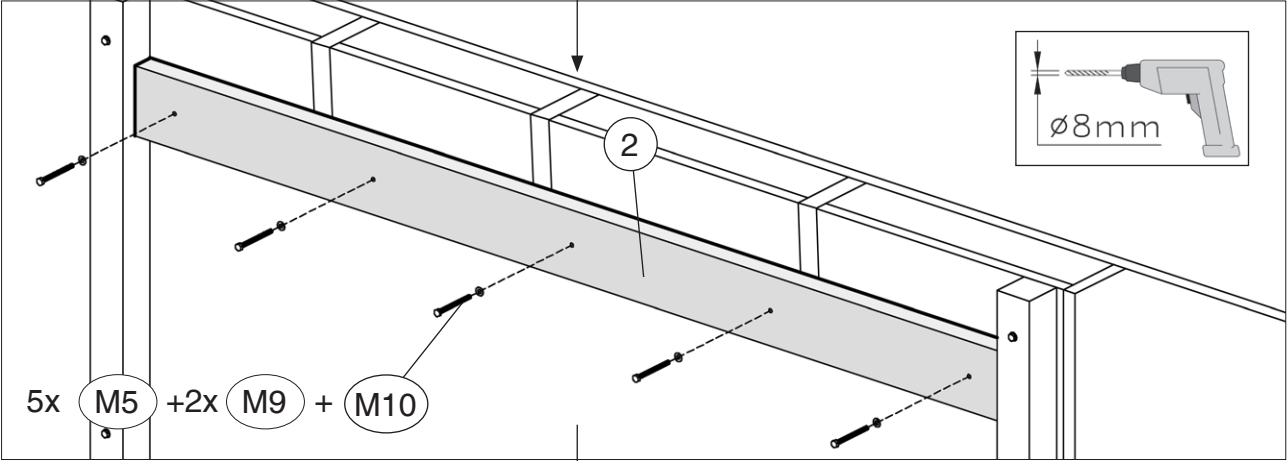
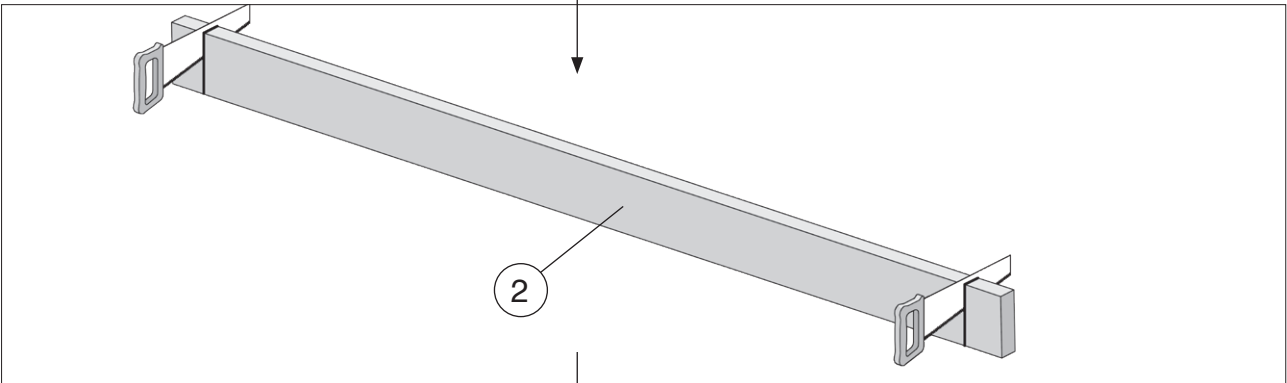
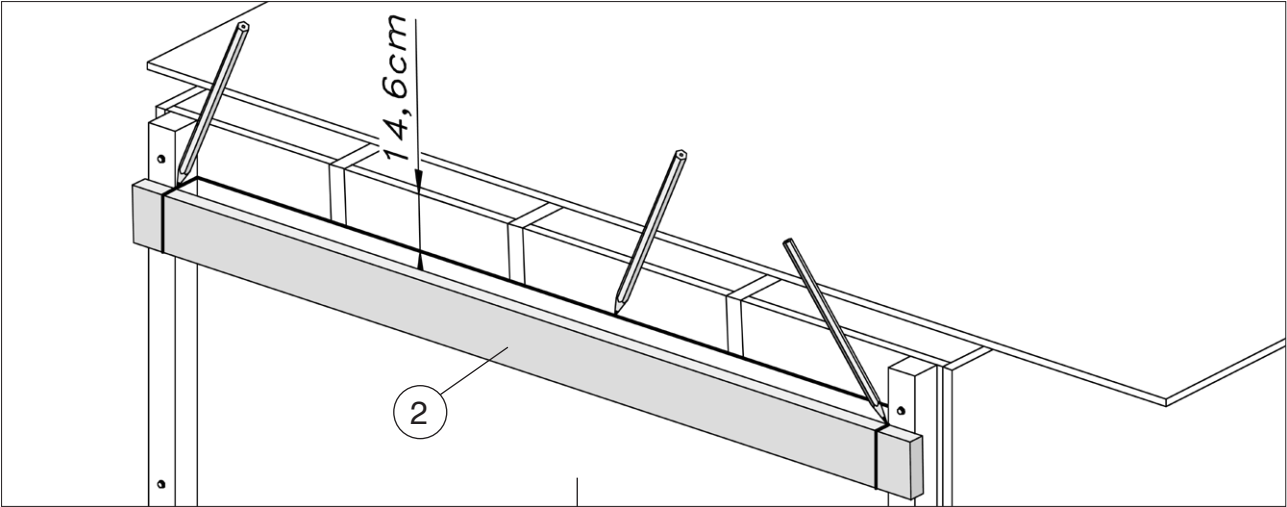
4

|   |             |   |        |
|---|-------------|---|--------|
|  | M6 M8 x 120 |  | M9 8,4 |
|   |             |  | M10 M8 |



5

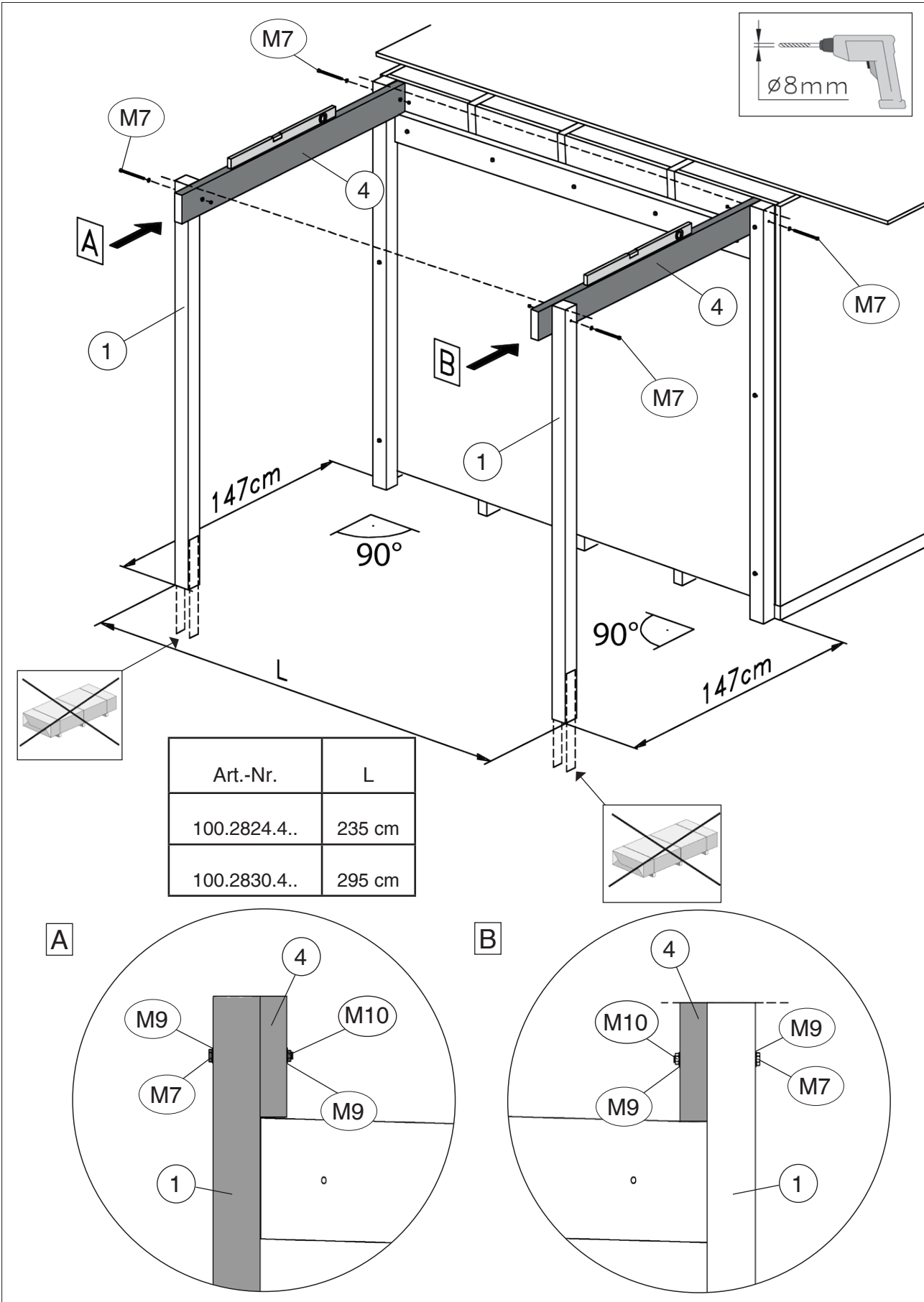
|   |    |         |   |   |     |
|---|----|---------|---|---|-----|
|  | M5 | M8 x 90 |  | M9  | 8,4 |
|   |    |         |   |  | M10 |



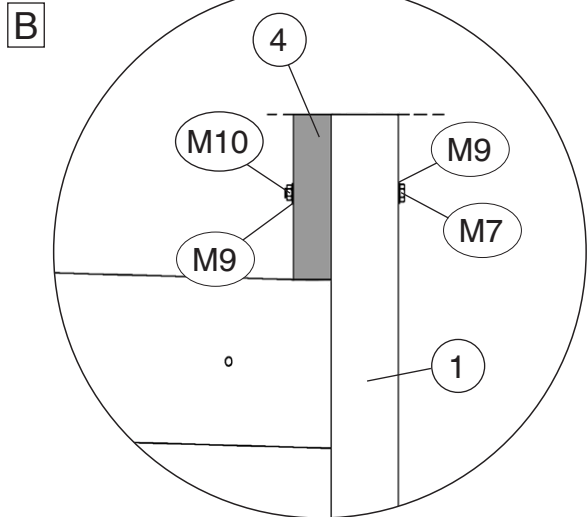
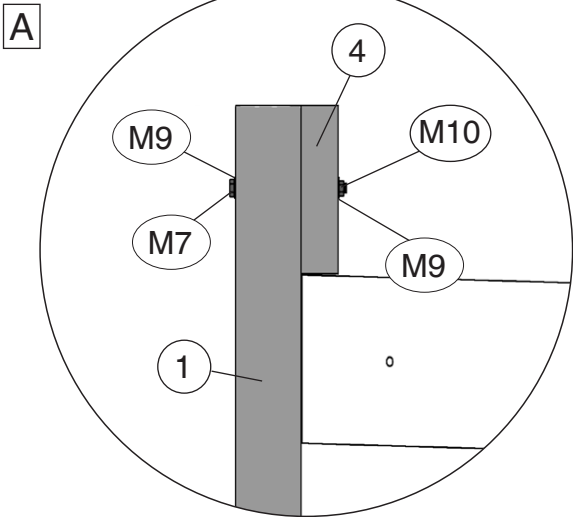


6




|   |             |   |        |
|---|-------------|---|--------|
|  | M7 M8 x 140 |  | M9 8,4 |
|   |             |  | M10 M8 |

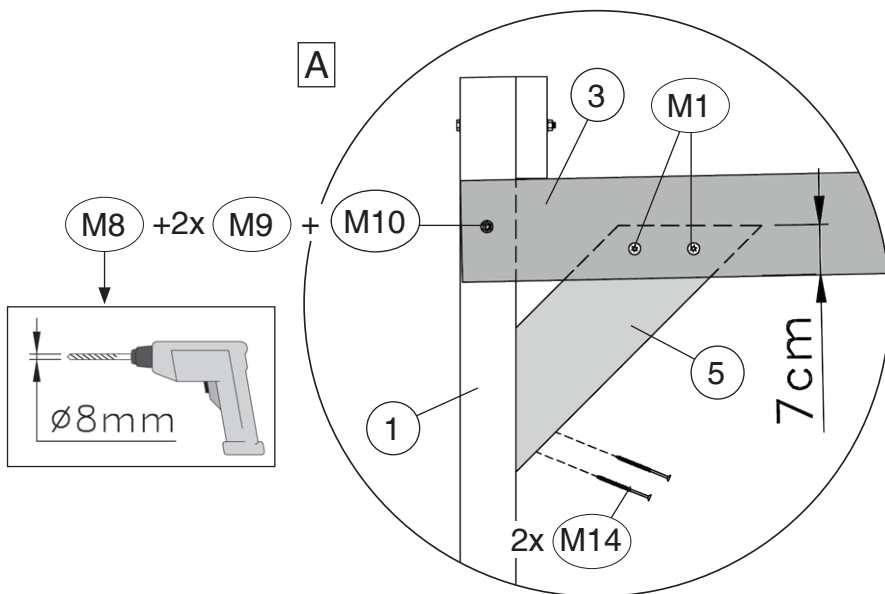
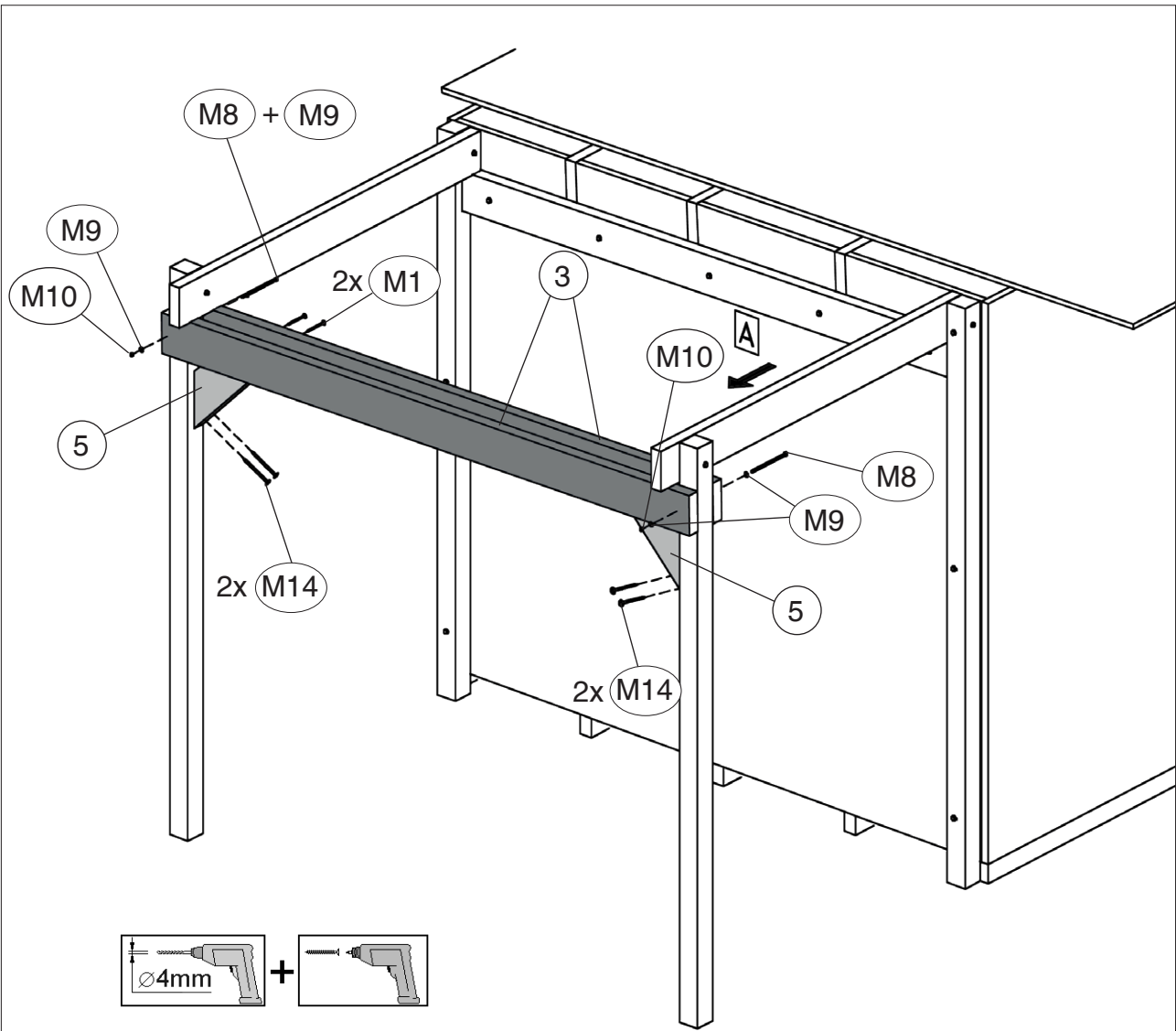


| Art.-Nr.     | L      |
|--------------|--------|
| 100.2824.4.. | 235 cm |
| 100.2830.4.. | 295 cm |




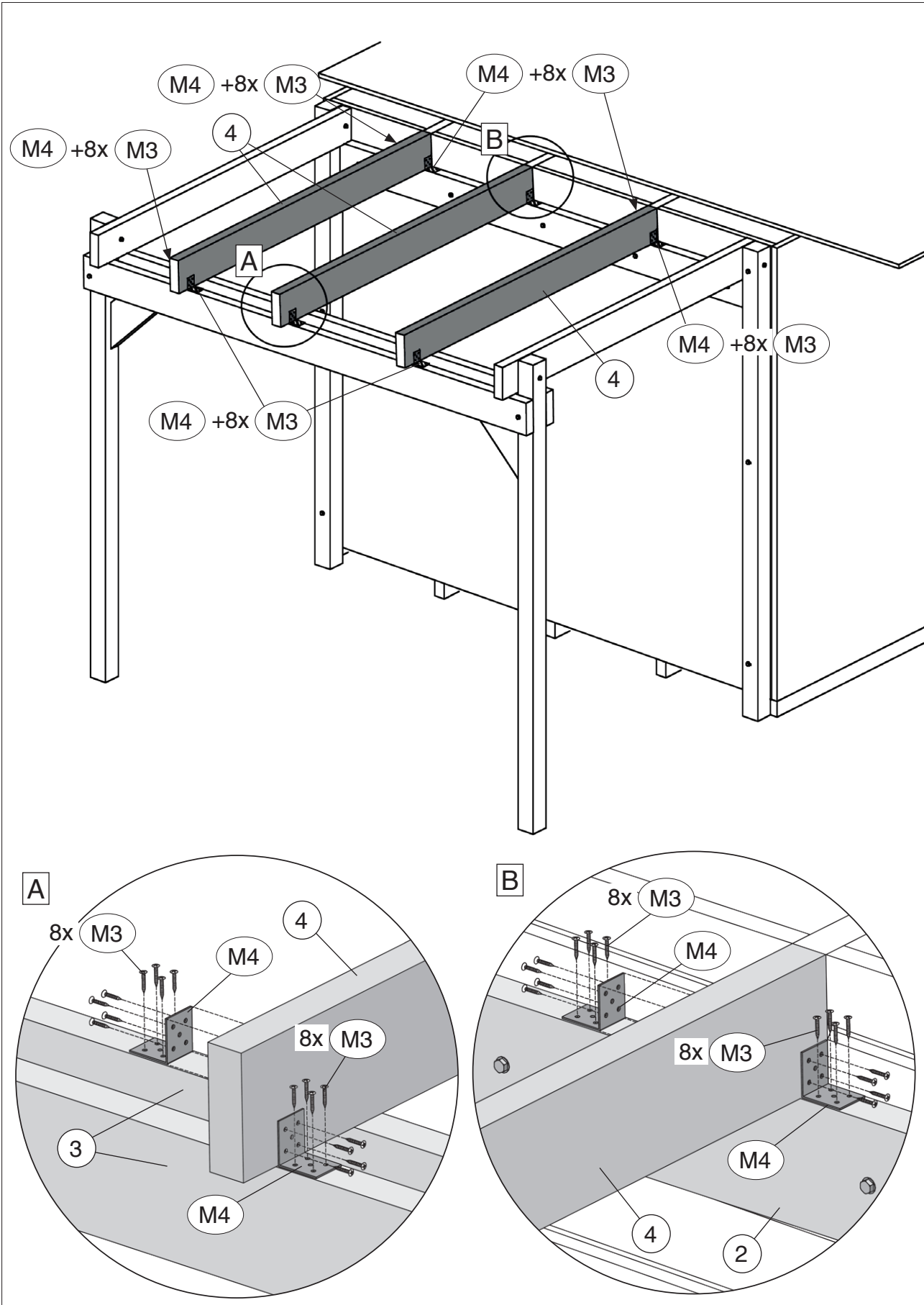
7

|   |     |           |   |     |          |   |    |     |
|---|-----|-----------|---|-----|----------|---|----|-----|
|  | M1  | 5,0 x 80  |  | M8  | M8 x 180 |  | M9 | 8,4 |
|   | M14 | 5,0 x 120 |   | M10 | M8       |   |    |     |




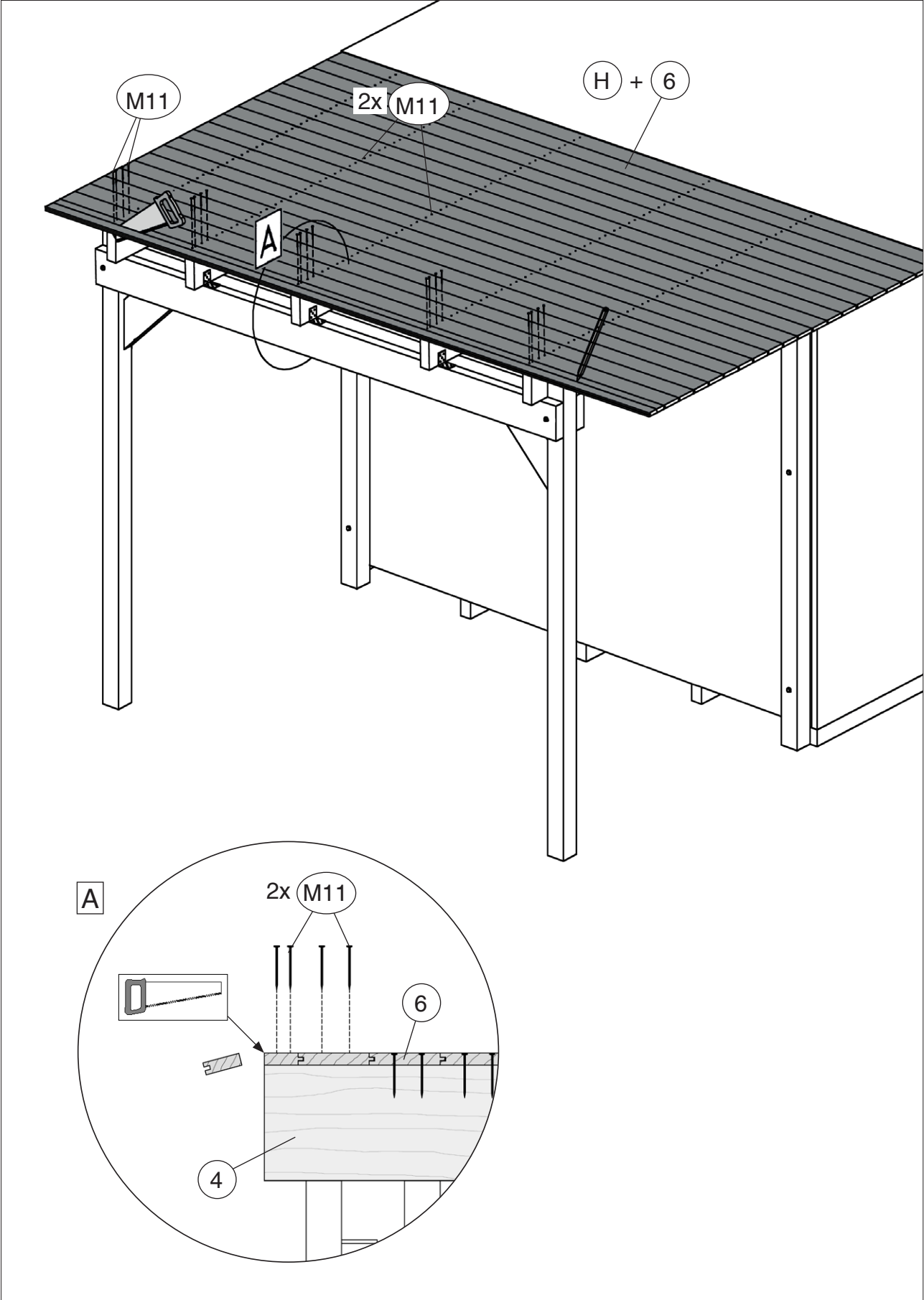
8

|   |             |
|---|-------------|
|  | M3 5,0 x 20 |
|  | M4 50/50/40 |




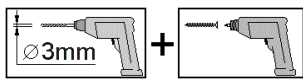
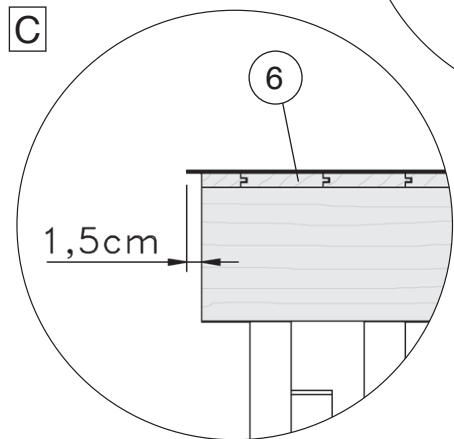
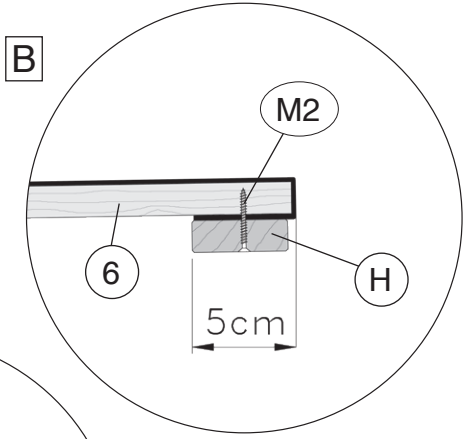
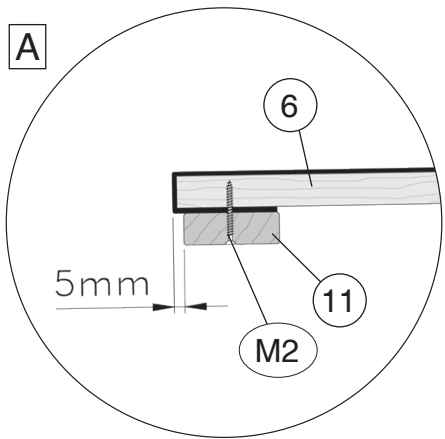
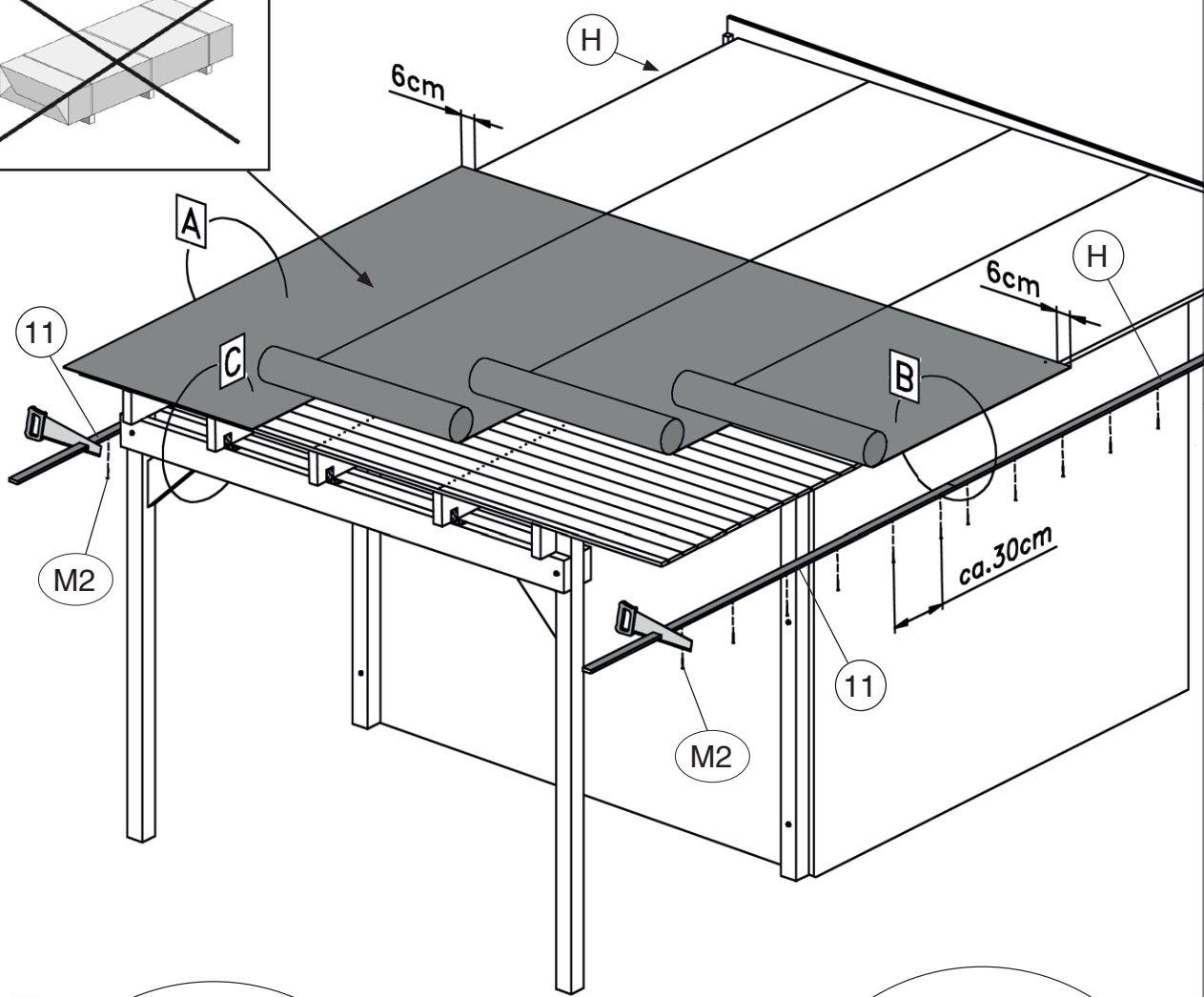
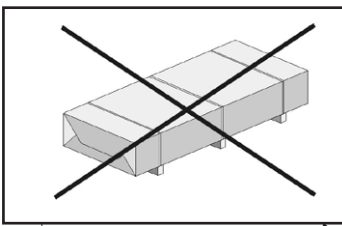
9

|   |                     |
|---|---------------------|
|  | <b>M11</b> 2,2 x 55 |
|   |                     |

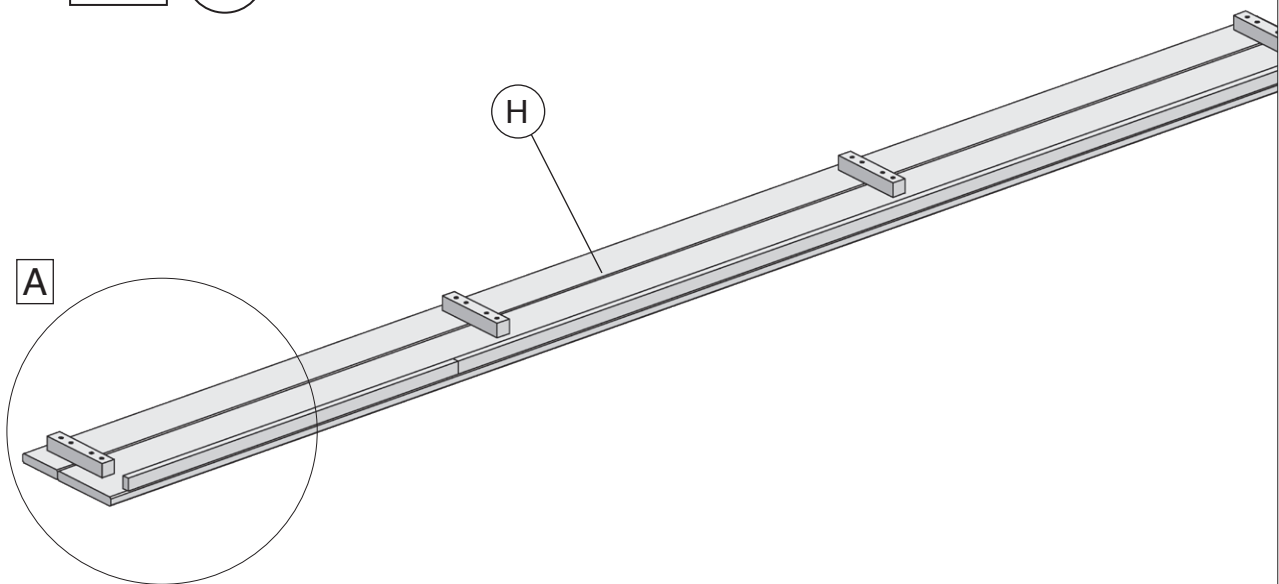


10

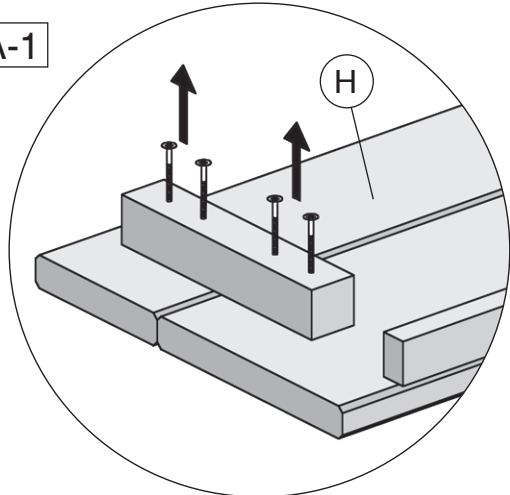
|   |             |
|---|-------------|
|  | M2 3,5 x 30 |
|   |             |



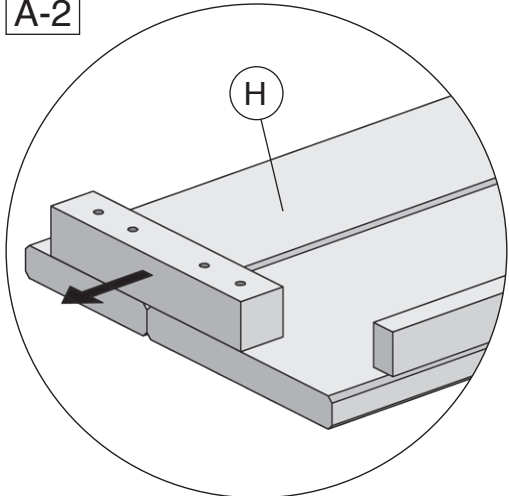
FB (H)



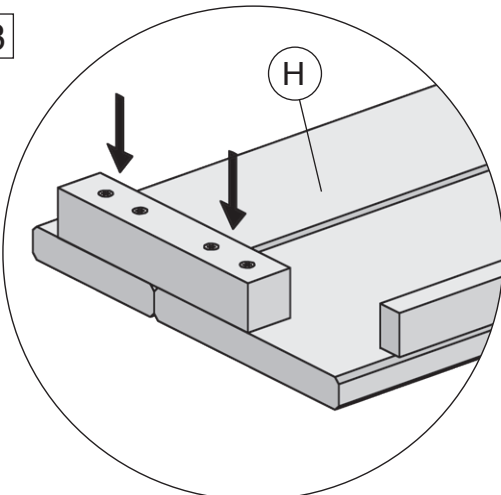
A-1



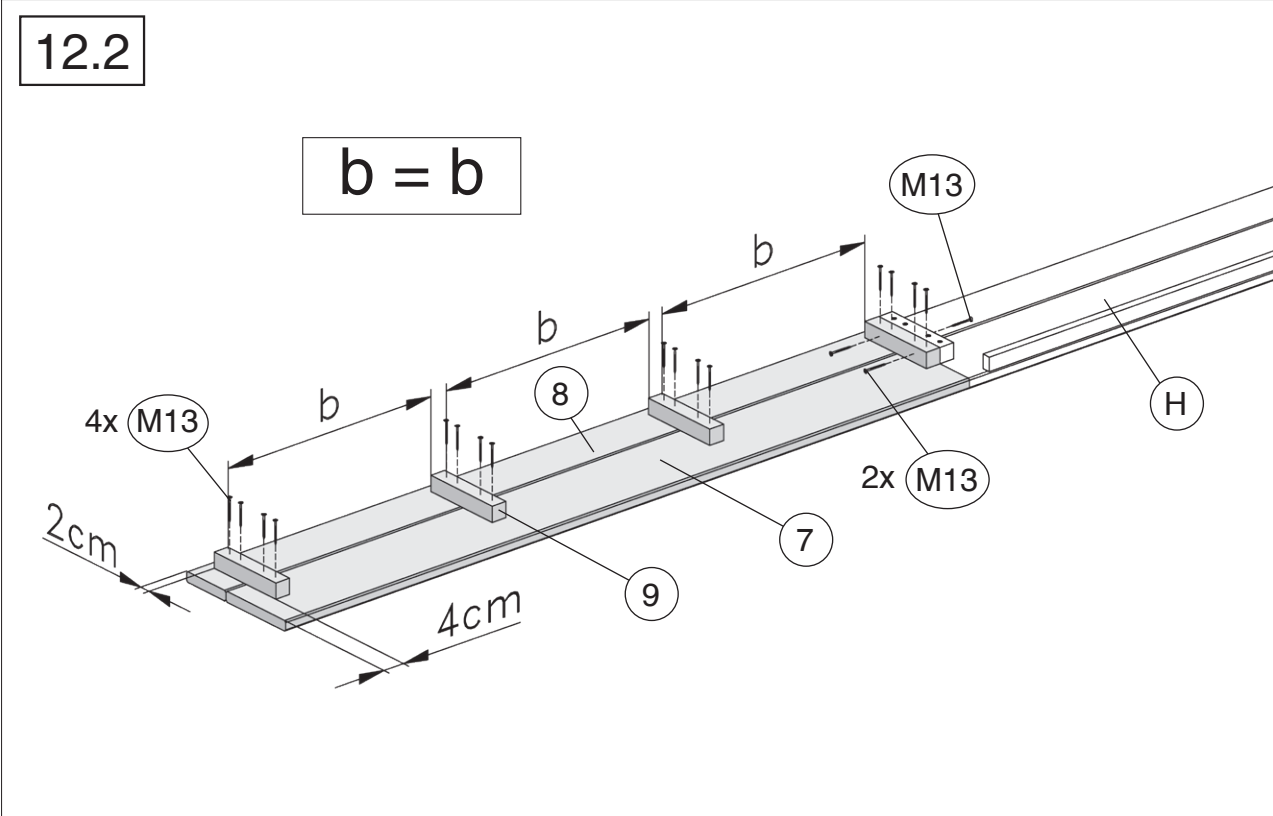
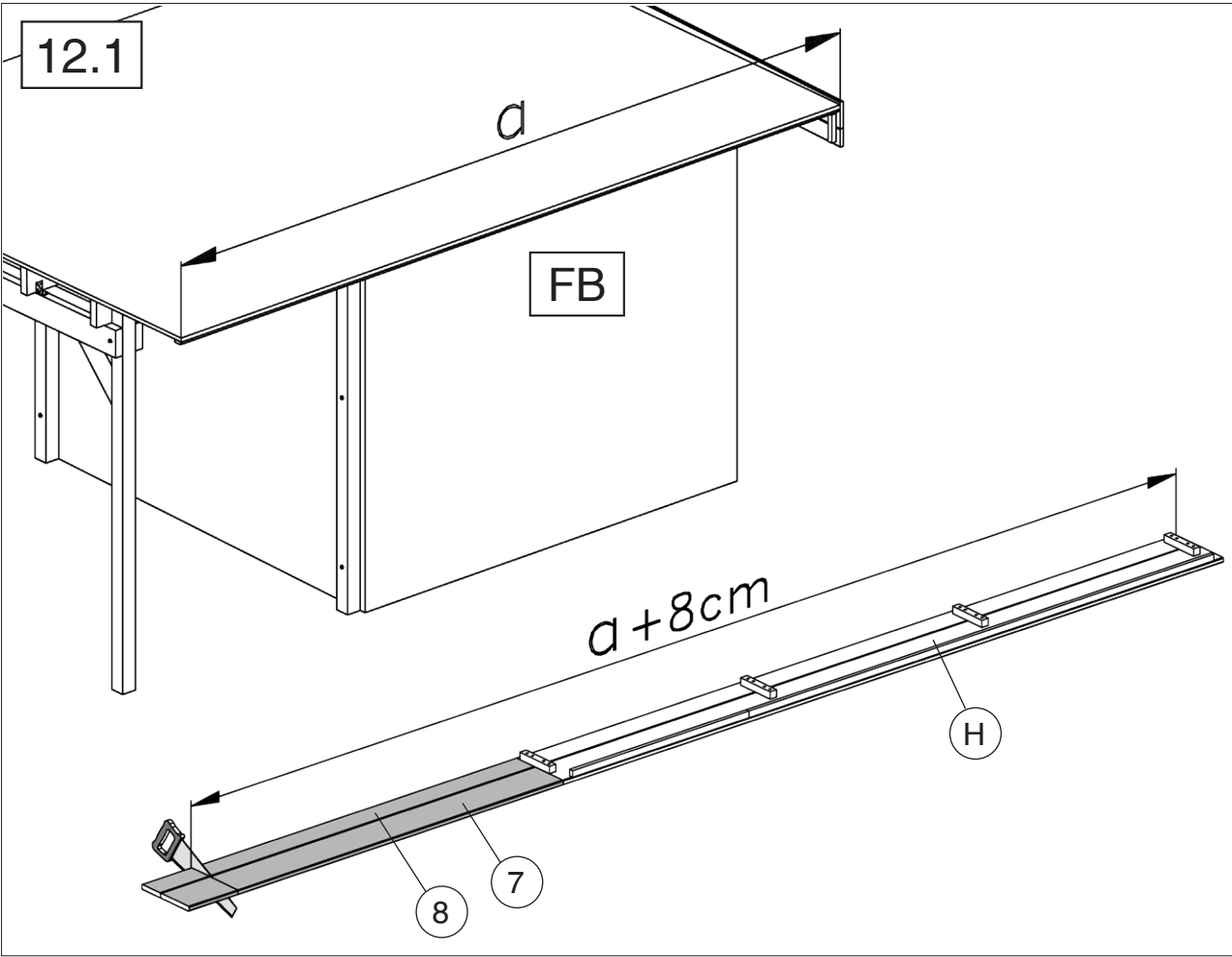
A-2

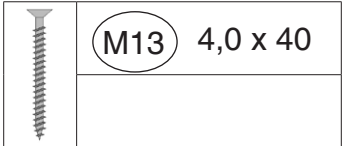


A-3

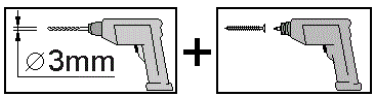
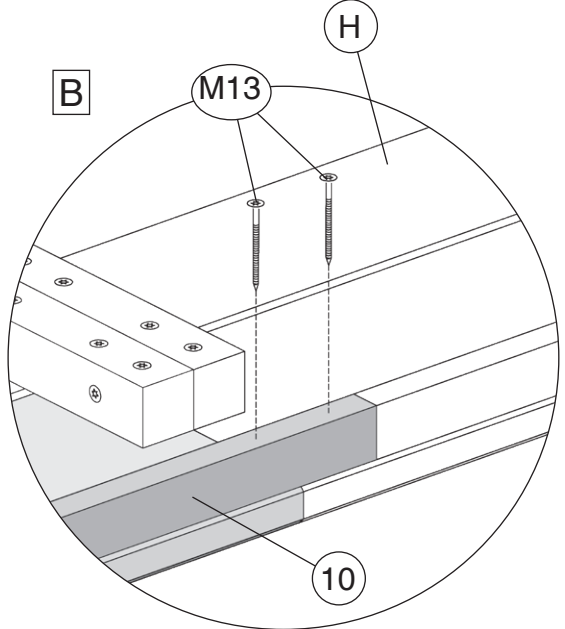
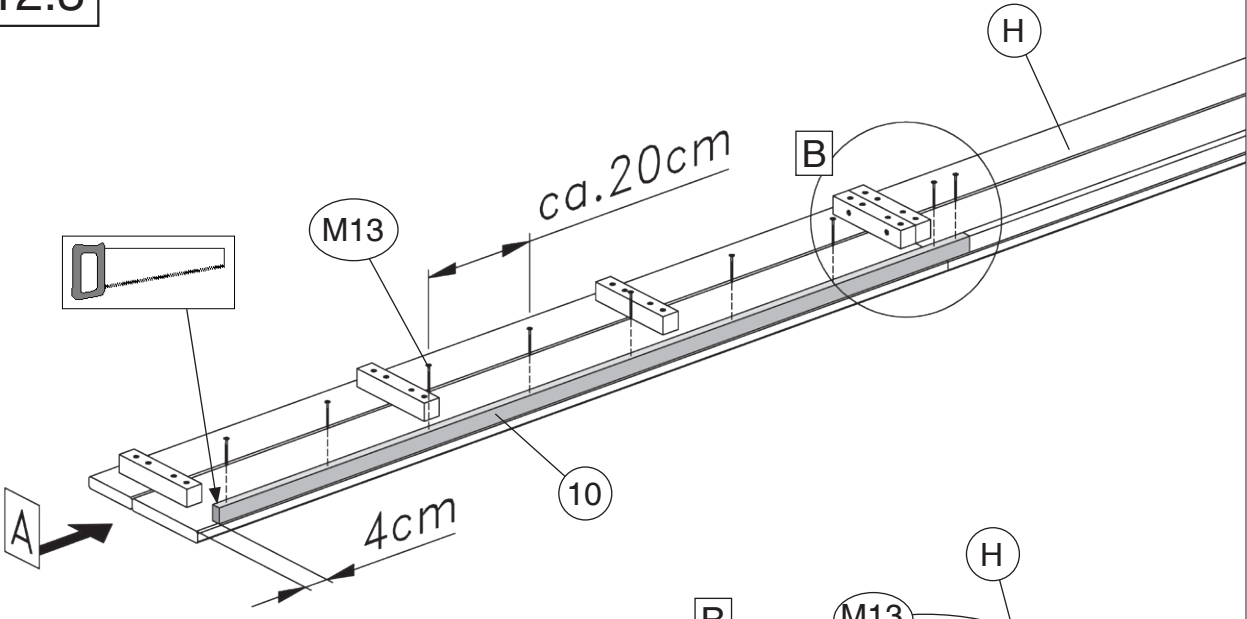


12

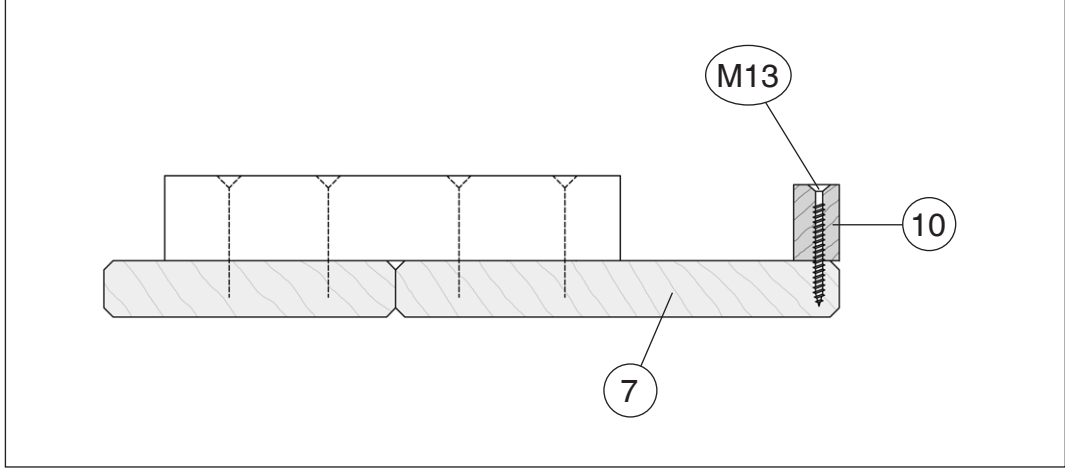





12.3



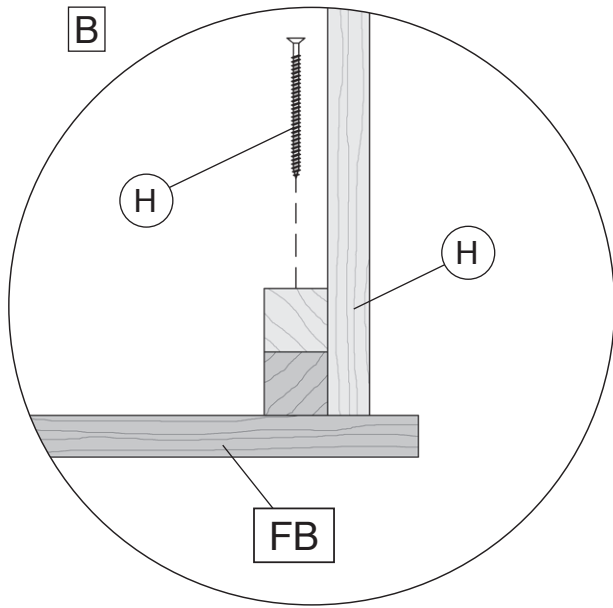
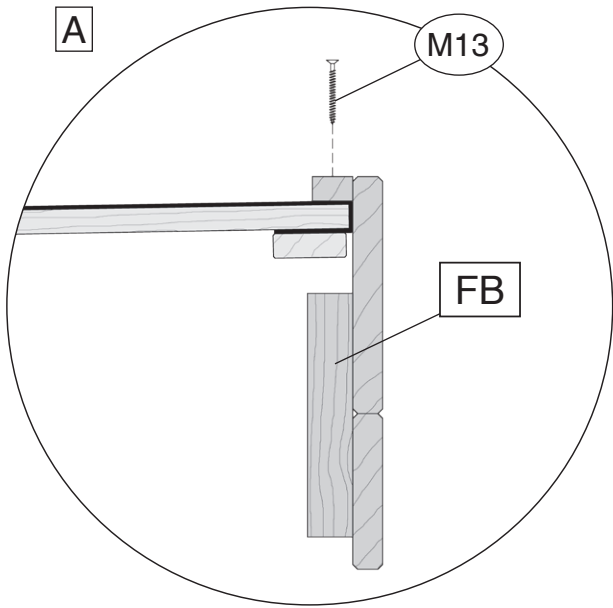
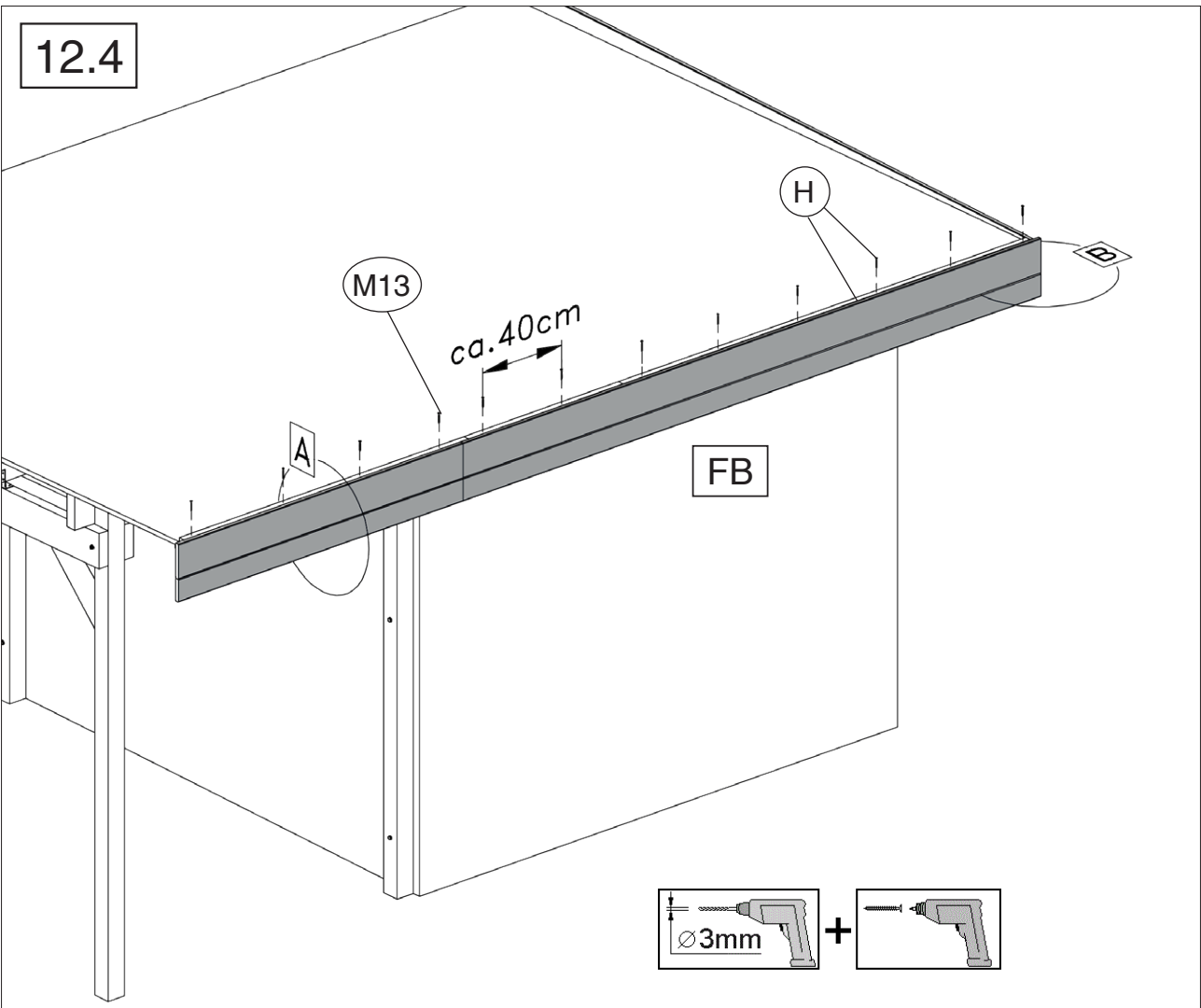
A



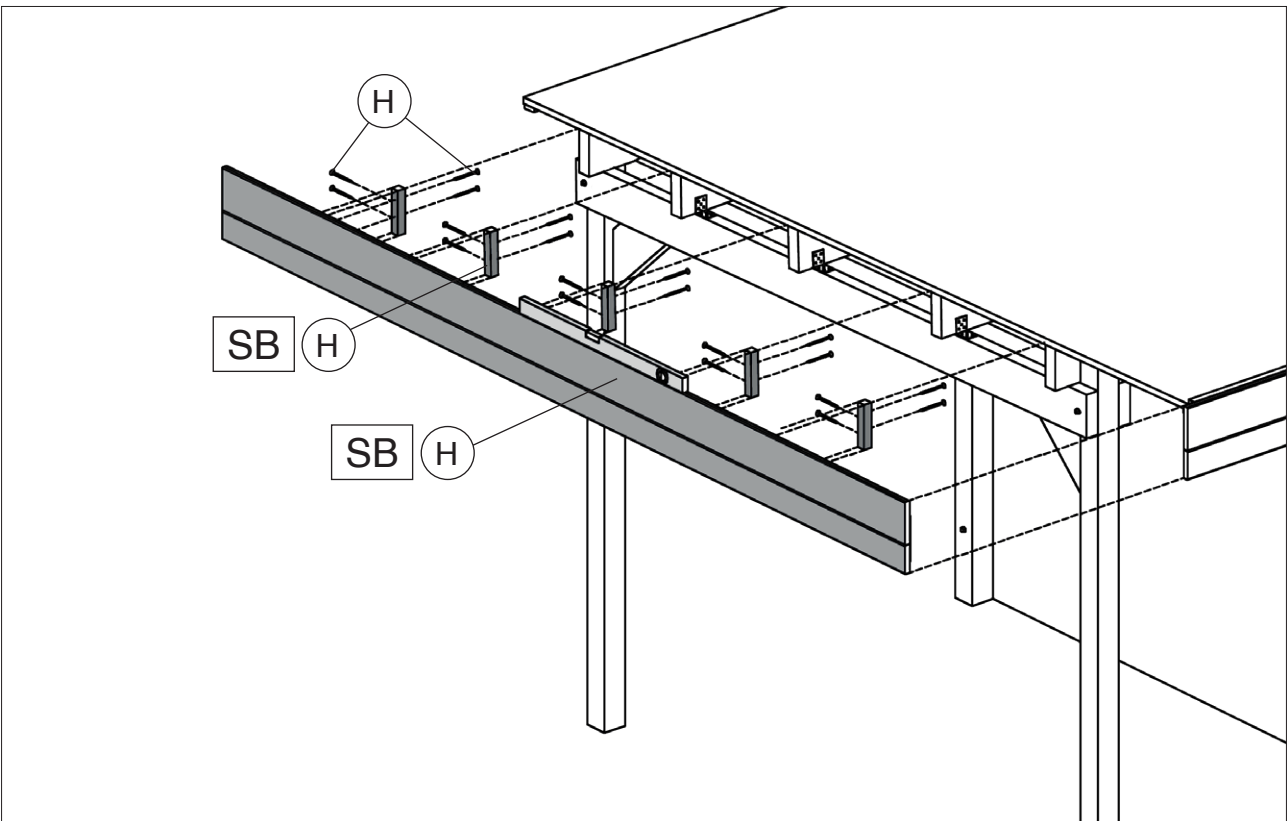


|   |              |
|---|--------------|
|  | M13 4,0 x 40 |
|---|--------------|

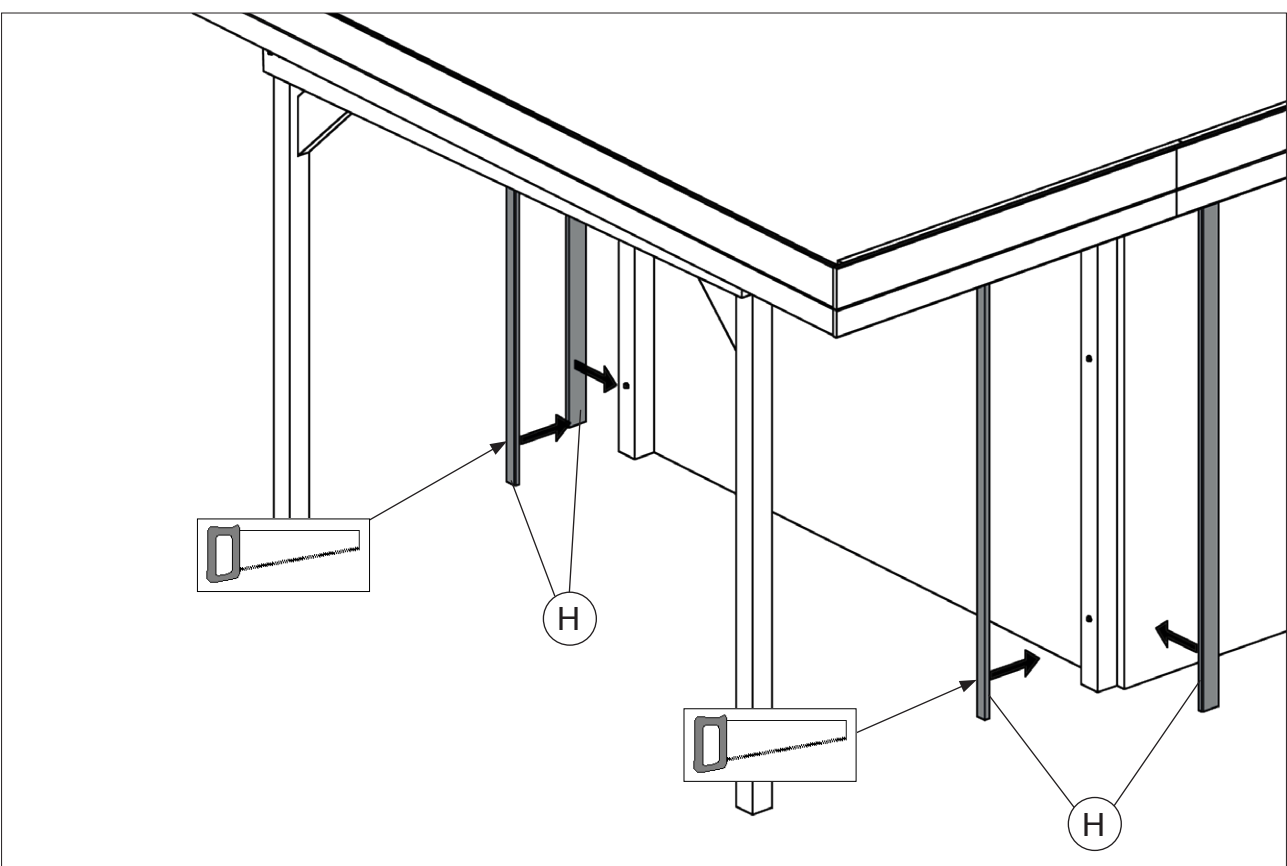
12.4



13



14





[www.weka-holzbau.com](http://www.weka-holzbau.com)

The logo for WEKA Holzbau GmbH, featuring the word "weka" in white lowercase letters inside a red circle with a green border.

## **WEKA Holzbau GmbH**

Johannesstr. 16, 17034 Neubrandenburg

Tel.: +49 (0)395 42908-0

Fax: +49 (0)395 42908-83

Mail: [info@weka-holzbau.com](mailto:info@weka-holzbau.com)

Web: [www.weka-holzbau.com](http://www.weka-holzbau.com)

MA Art.-Nr.: 800.0286.17.62