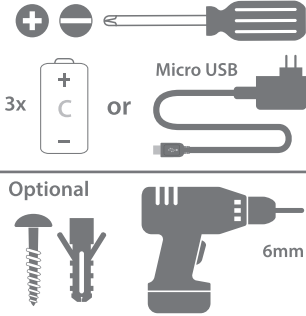
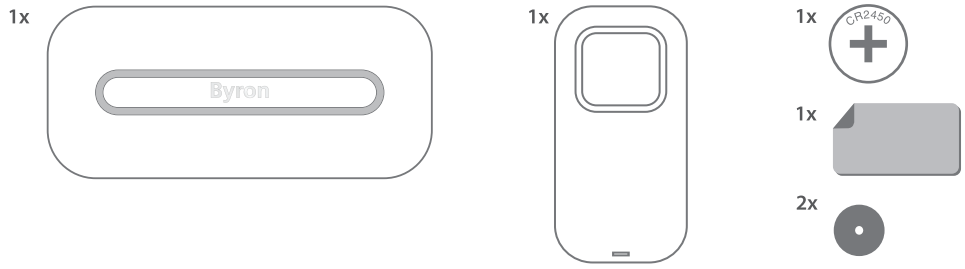


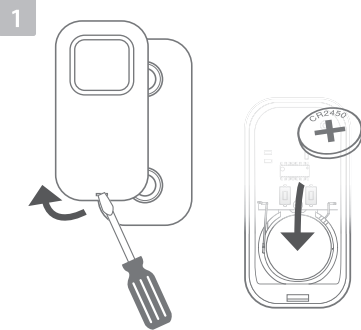
NEEDED TO START (EXCL.)



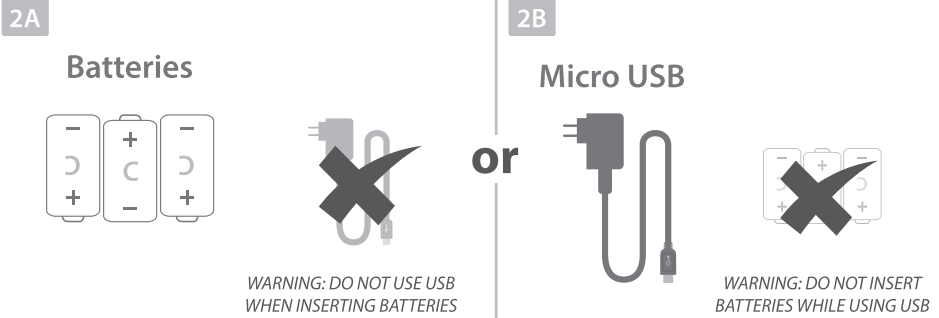
BOX CONTENT | INHALT | CONTENUS | INHOUD DOOS | CONTENUTO | CONTENIDO DE LA CAJA



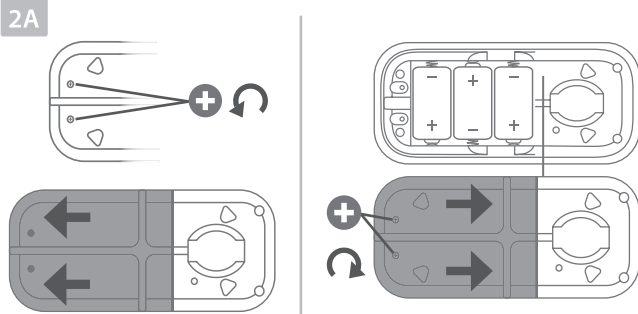
FIRST SET-UP



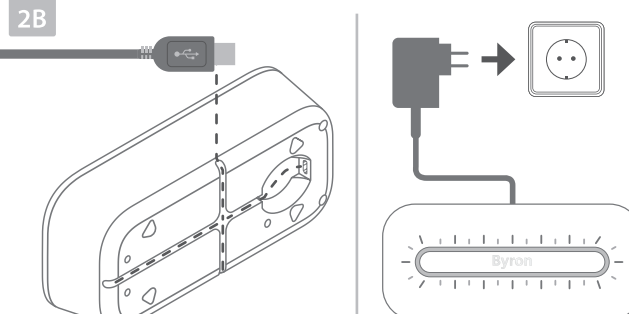
CHOOSE INSTALLATION METHOD



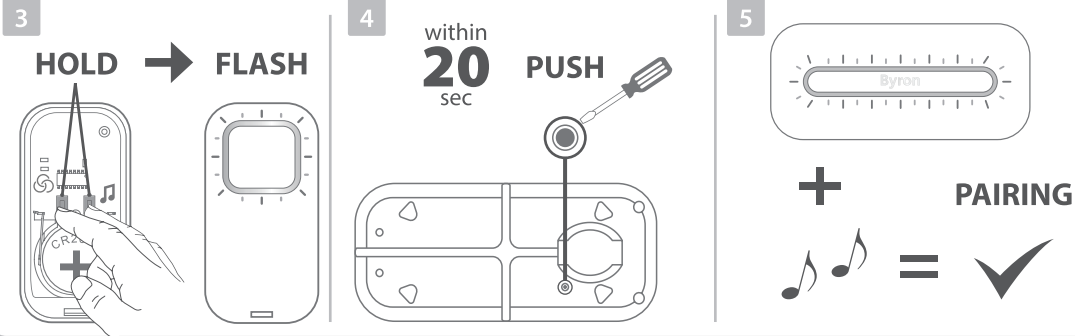
FIRST SET-UP USING BATTERIES



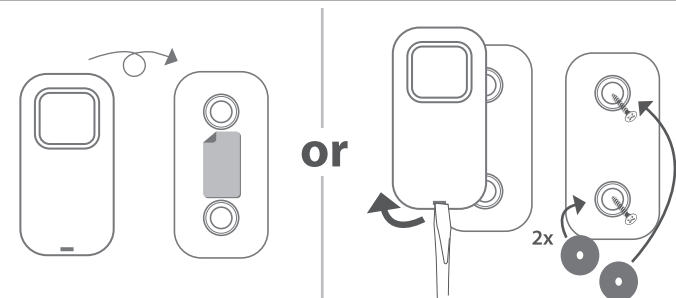
FIRST SET-UP USING MICRO USB



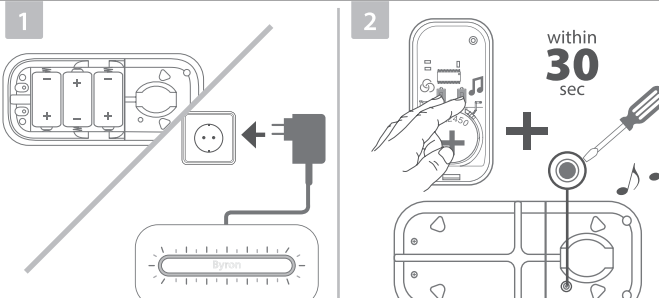
FIRST SET-UP | ERSTEINRICHTUNG | PREMIÈRE CONFIGURATION | EERSTE INSTALLATIE | PRIMO SET-UP | PRIMERA CONFIGURACIÓN



INSTALLATION | INSTALLATION | INSTALLATION | INSTALLATIE | INSTALLAZIONE | INSTALACIÓN



PAIRING MULTIPLE CHIMES



FEATURES | EIGENSCHAFEN | CARACTÉRISTIQUES | KENMERKEN | CARATTERISTICHE | CARACTERÍSTICAS

<p>1</p> <p>1X</p>	<p>2</p>
<p>1</p>	<p>2</p>

<p>1</p> <p>1X</p>	<p>2</p> <p><b>HOLD 1S</b></p> <p>↓</p> <p><b>FLASH</b></p>	<p>3</p>
--------------------	---	----------

<p>1</p> <p>COLOUR</p>	<p>2</p>
------------------------	----------

TROUBLESHOOTING | FEHLERBEHEBUNG | RÉOLUTION DE PROBLÈMES | PROBLEMEN OPLOSSEN | RISOLUZIONE DEI PROBLEMI | SOLUCIÓN DE PROBLEMAS

<p>1</p> <p><b>RESET</b></p> <p>HOLD <b>10</b> sec</p>	<p>2</p> <p><b>RESET</b> ✓</p>	<p>1</p> <p><b>RESET</b></p> <p>HOLD <b>10</b> sec → <b>2X FLASH</b> within 20 sec.</p>	
--	--------------------------------	---	--

WWW.CHBYRON.EU



Find us on



Or contact us directly:

EU address:	UK address:
<p>smartwares Europe</p> <p>Jules Verneweg 87 5015 BH Tilburg The Netherlands</p> <p>www.chbyron.eu</p>	<p>smartwares Safety and Lighting Ltd.</p> <p>Meriden House, 6 Great Cornbow Halesowen, West Midlands, B63 3AB United Kingdom</p>



Conforms to all relevant European Directives.

Frequency band: 868.4 MHz  
Maximum radio-frequency power: +5.92dB  
Range: 200 meters

**Wireless Doorbell DBY-25931**  
Power: 3 x 'C'/LR14 1.5V: Total 4.5V  
Indoor Use Only

**Push button - DBY-25930**  
Power supply: 1 x CR2450 3V  
IP44 Weather Resistant

